



TPI CORPORATION

America's Comfort Conditioning Company



Tel: 1-800-682-3398 | 1-423-477-4131 | Fax: 1-423-477-0064
www.tpicorp.com

2017

ELECTRICAL PRODUCTS CATALOG



FANS

LIGHTS

VENTILATION, FANS, & INDUSTRIAL LIGHTING
INDUSTRIAL - COMMERCIAL - RESIDENTIAL

© Copyright 2017; TPI Corporation, P.O. Box 4973, Johnson City, TN 37602
November 1, 2016: Distribution Products Catalog Revision: 110116-001



www.facebook.com/tpicorporation



[@tpicorporation](https://twitter.com/tpicorporation)



Table Of Contents & Limited Warranty

CATEGORY	Page
INDUSTRIAL CIRCULATORS	
24" & 30" Assembled Maximum Duty	2
24" & 30" Unassembled Maximum Duty	3
24" & 30" Heavy Duty Yellow	4
24" & 30" Assembled Heads & Mounts	5
24" & 30" Unassembled	6
20" Circulators & Components	7
20" 24" & 30" Specialty Heads	8
COMMERCIAL CIRCULATORS	
24" & 30" Commercial Circulators	9
24" & 30" Commercial Oscillators	9
COMMERCIAL BLOWERS	
36" 42" & 48" Belt Drive Portable	10
30" & 36" Direct Drive Portable	10
INDUSTRIAL BLOWERS	
30" 36" & 42" Direct Drive Portable	11
48" Direct Drive Portable	11
36" 42" & 48" Belt Drive Portable	12
30" 36" & 42" Direct Drive Suspension	13
36" 42" & 48" Belt Drive Suspension	13
Heavy Duty Direct Drive	14
Heavy Duty Permanent Mount Direct Drive	15
24" & 30" Mini	16
Heavy Duty Square Belt Drive Portable	16
WORKSTATION FANS	
Industrial Floor	17
Corrosion Resistant Industrial Floor	17
Industrial Mounted	18
Commercial Floor	18
Oscillating Office	18
Wall Mounted With Pivoting Arm	19
Low Velocity "Special Application"	19
EVAPORATIVE COOLERS	
Portable Workstation (Evap Mini)	20
36" & 48" Hazardous Location	20
16" 24" 36" & 48" Portable	21
Replacement Media Pads	21
MISTING FANS	
18" Portable Self Contained	22

CATEGORY	Page
CEILING FANS	
Industrial Ceiling Fans	22
EXHAUST FANS & GUARDS	
Shutter Mounted Direct Drive	23
Guard Mounted Direct Drive	24
Venturi Mounted Direct Drive	25
Commercial - (Fans & Shutters)	26
Industrial Direct Drive	27
Industrial Belt Drive	28
Heavy Duty Direct Drive	29
Heavy Duty Belt Drive	30
Cabinet Exhaust Fans With Shutters	31
Accessories / Heavy Duty Shutters	32
Cabinet Accessories / Guards	33
Cabinet Exhaust Fan Package Options	34
Weather Hood	34
ROOF VENTILATORS	
Insulated Roof Curbs	35
Belt Drive Hooded Roof Ventilator	36
Direct Drive Roof Ventilator	37
Belt Drive Roof Ventilator	38
TUBEAXIAL DUCT FAN	
Direct Drive & Guards	39
Belt Drive	40
ATTIC FANS	
Roof Domes, Gable Fans, Attic Fans	41
INDUSTRIAL LIGHT PRODUCTS	
Portable Utility Lights	42-43
Heavy Duty Portable Utility Lights	44
Commercial Duty Portable Utility Lights	44
Loading Dock Lights	45
Loading Dock Light Performance Testing	45
Loading Dock - Fully Assembled, Standard	46
Ceiling Mounted Incandescent Flex Arm	46
Lighthouse Accessories	46
Modular Loading Dock Lights / Heavy Duty	47
Loading Dock Arm Fan	47
Machine Tool Lights	48-49
Illuminated Florescent Magnifiers	49
PRODUCT INDEX	50-54

TPI Corporation provides a limited warranty of materials and workmanship for a period of (i) ten (10) years for elements in 2900 Series baseboard heaters, (ii) two (2) years for Thermostats and Controls, (iii) five (5) years on HD and HDH series fans, (iv) three (3) years on UHP and IHP series fans, (v) and twelve (12) months for all other products, with the warranty period commencing on the original date of purchase. The TPI warranty is limited to materials manufactured and work performed by TPI Corporation, and does not include damage or failure caused by acts of God, abuse, misuse, connected to or placed on other than rated voltage, abnormal usage, faulty installation, failure to follow suggested maintenance procedures enclosed with the product, improper maintenance or any repairs other than those provided by an authorized TPI Corporation service center. For the name of your nearest authorized TPI Corporation service center, please write to TPI Corporation, P.O. Box 4973, Johnson City, Tennessee, 37602 or call 1-800-682-3398.

During the warranty period, TPI Corporation will, at its sole option, repair or replace any defective parts or products returned, freight prepaid, to the TPI Corporation factory or such other location as TPI Corporation may designate. No parts or products will be accepted for repair or replacement without prior authorization from TPI Corporation and a return merchandise authority (RMA) number issued by TPI Corporation. Returned products must be packaged carefully and TPI Corporation shall not be responsible for damage in transit. When returning parts, the owner must provide the model number of the product and nature of difficulty being experienced.

This warranty does not obligate TPI Corporation to bear the cost of labor in replacing any assembly, unit or component part thereof, nor does TPI Corporation assume any liability for secondary charges, expenses for installing or removal, freight or damages. There will be charges rendered for product repairs made after the warranty period has expired. Proof of purchase, including date, must accompany request for in-warranty service. This warranty gives you specific legal rights and you may have other rights, which may vary, from state to state.

Except for the limited warranty provided in the foregoing paragraph, all parts and products sold by TPI Corporation are sold 'as is', 'where is', and without any other warranty of any kind or nature, whether express, implied, or statutory and including, without limitation, any implied warranty of specific performance or merchantability.

Under no circumstances, even with respect to claims covered by the foregoing warranty, will TPI Corporation be responsible for any incidental, consequential, special, or punitive damages of any kind or nature arising from or related to the parts or products sold by TPI Corporation.

In any event, TPI Corporation's maximum liability shall not in any case exceed the purchase price for the part or product claimed to be defective.

You hereby expressly agree to waive any and all rights to a trial by jury with respect to any product manufactured or supplied by TPI Corporation.

Ventilation Products Warranty Coverage

Series HD or HDH fans	5 Years
Series UHP or IHP fans	3 Years
All other ventilation products	1 Year

RETURN POLICY:

Requests for returns of non-defective standard stock units may incur testing and repackaging charges if units are not in like new condition. Requests for returns of build to order items are subject to cancellation charges prior to shipment and up to a 100% restocking charge after shipment. This also applies to any standard model with factory installed control options or other custom features. Changes made to custom products during production may incur labor charges. Please consult factory for details on any return or change order

TPI COMMERCIAL CIRCULATORS STATEMENT:

TPI Commercial circulators have been developed to equal the imported circulators that are sold by big-box retail stores and some catalogers. Because these circulators do not have totally enclosed motors, they should be used in clean, dry commercial applications - such as schools, shops, offices, and warehouses.

TPI Industrial Assembled Maximum Duty Circulators

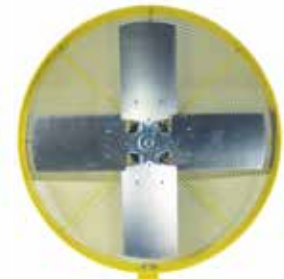
Features

- Easy access hinged guard
- 18" drop down, 2-Speed switch
- Cord options are shown below
- Steel hub/spider aluminum paddle blades
- Powder coated steel guards
- Meets OSHA standards
- 5 year limited warranty
- Made in U.S.A. with domestic and foreign components.

DIMENSIONS	
24"	27" Diameter x 14.5" Depth
30"	33.5" Diameter x 14.5" Depth



Closed (Front)



Open (Front)



Motor Specifications

- 2-Speed
- 1-Phase, 120V
- Permanent split capacitor
- Frame size: 48
- 1/2 HP
- Ball bearing
- Totally enclosed, permanently lubricated
- 1/2" Shaft

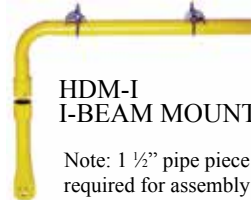
Pedestal Specifications

- Pedestal pole adjusts the center of the fan from 48 to 67 inches.
- Pedestal steel dome base is 27" in diameter and has 5 carriage bolts.

Factory Assembled and Tested Fan Heads, Mounts, and Wheel Kits



**HDM-C
CEILING MOUNT**
Note: 1 1/2" pipe piece required for assembly



**HDM-I
I-BEAM MOUNT**
Note: 1 1/2" pipe piece required for assembly



**HDM-W
WALL MOUNT**



**OPTIONAL
WHEEL KIT**

Standard Models

ASSEMBLED FAN HEAD		COLOR	BLADE SIZE	HP	CFM* / RPM		VELOCITY PROFILE	AMPS	WT. (LBS)	HEAD LIST
MFG CATALOG NUMBER	MFG MODEL NUMBER				HIGH	LOW	CFM / Area Sq Ft			
08744402	HDH 24-JR	Yellow	24"	1/2	5600 / 1100	4900 / 800	7500 / 260	3.5	44	668
08744602	HDH 30-JR	Yellow	30"		6800 / 1100	6000 / 800	8000 / 270	4	48	686
08745002	HDH 24-GJR	Gray	24"		5600 / 1100	4900 / 800	7500 / 260	3.5	44	668
08745102	HDH 30-GJR	Gray	30"		6800 / 1100	6000 / 800	8000 / 270	4	48	686

*Measured 2 feet from face of fan

Accessories

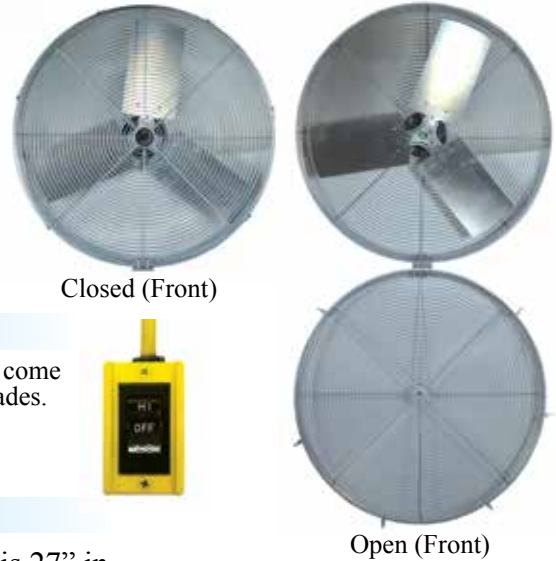
MFG CATALOG NUMBER	MFG MODEL NUMBER	COLOR	DESCRIPTION	WT. (LBS)	LIST
07960902	HDM-P	Yellow	Heavy Duty Pedestal Mount	34	204
07961002	HDM-W	Yellow	Heavy Duty Wall Mount	3	81
07961102	HDM-I	Yellow	Heavy Duty I-Beam Mount	9	154
07961202	HDM-C	Yellow	Heavy Duty Ceiling Mount	3	89
07961802	ACM-P	Gray	Pedestal Mount	34	192
07961902	ACM-W	Gray	Wall Mount	3	75
07962002	ACM-I	Gray	I-Beam Mount	9	146
07962102	ACM-C	Gray	Ceiling Mount	3	81
07962202	ACM-S	Gray	Suspension Mount	2	66
08747202	RS 06-EC	Yellow	6' Extension cord used with drop down power switch	1	23
08747302	RS 09-EC	Yellow	9' Extension cord used with drop down power switch	1.5	25
08747402	RS 12-EC	Yellow	12' Extension cord used with drop down power switch	2	27
08772502	RS 15-EC	Yellow	15' Extension cord used with drop down power switch	2.5	30
08747502	SCK-12	---	12' Safety cable with clamps	.5	25
08747602	R1-MOT	Yellow	1/2 HP motor with remote switch	1	192
08681802	ACM-PM	Standard Black	Pole Mount	5	98
08681302	ACM-WK	Standard Black	Optional Wheel Kit	4	90

TPI Industrial Unassembled Maximum Duty Circulators

Features

- Easy access hinged guard
- 18" drop down, 2-Speed switch
- Cord options are shown below
- Steel hub/spider aluminum paddle blades
- Coated steel guards
- Meets OSHA standards
- Made in U.S.A. with domestic and foreign components.

DIMENSIONS	
24"	27" Diameter x 14.5" Depth
30"	33.5" Diameter x 14.5" Depth



- | | | |
|------------------|-----------------------------|--|
| • 2-Speed | • Totally enclosed | Note: 1/3 HP fans come with 3 paddle blades. |
| • 1-Phase, 120V | • Permanent split capacitor | |
| • Ball bearing | • Permanently lubricated | |
| • Frame size: 48 | • 1/2" Shaft | |

Motor Specifications

Product Specifications

- Pedestal pole adjusts the center of the fan from 48 to 67 inches.
- Pedestal steel dome base is 27" in diameter and has 5 carriage bolts.

TPI Industrial Mounts



Note: Motor, blades, guard, and mount are packed and shipped in a single UPS-able carton.

Standard Models

FAN TYPE		HIGH PERFORMANCE			MAX AMPS
MOTOR	HP	1/3			2.8
	SPEEDS	2			
CFM (HIGH/LOW) RPM (HIGH/LOW)	24"	4300 / 3900 1100 / 800			3.0
	30"	5400 / 4700 1100 / 800			
COLOR		GRAY			
POLE ADJUSTMENT		52" to 78"			
WARRANTY		3 YEARS			
SIZE	TYPE of MOUNT	MFG CATALOG NUMBER	MFG MODEL NUMBER	WT. (LBS)	LIST
24"	Pedestal Mount	08745202	UHP 24-PJR	75	726
	Wall Mount	08745402	UHP 24-WJR	45	613
	I-Beam Mount	08745602	UHP 24-IJR	50	680
	Ceiling Mount	08745802	UHP 24-CJR	45	621
	Suspension Mount	08746002	UHP 24-SJR	43	608
30"	Pedestal Mount	08745302	UHP 30-PJR	78	743
	Wall Mount	08745502	UHP 30-WJR	48	633
	I-Beam Mount	08745702	UHP 30-IJR	53	698
	Ceiling Mount	08745902	UHP 30-CJR	48	640
	Suspension Mount	08746102	UHP 30-SJR	46	626

Accessories

MFG CATALOG NUMBER	MFG MODEL NUMBER	COLOR	DESCRIPTION	WT. (LBS)	LIST
08747202	RS 06-EC	Yellow	6' Extension cord used with drop down power switch	1	23
08747302	RS 09-EC	Yellow	9' Extension cord used with drop down power switch	1.5	25
08747402	RS 12-EC	Yellow	12' Extension cord used with drop down power switch	2	27
08772502	RS 15-EC	Yellow	15' Extension cord used with drop down power switch	2.5	30
08747502	SCK-12	----	12' Safety cable with clamps	.5	25
08747702	R2-MOT	Gray	1/3 HP motor with drop down remote switch	1	187

TPI Industrial Heavy Duty Yellow Air Circulator

Features

- Pull chain switch
- Cord-SJT type 3 conductor, 12' long
- Steel hub/spider aluminum paddle blades
- Powder coated steel guards
- Meets OSHA standards
- 5 year limited warranty
- Made in U.S.A. with domestic and foreign components.

DIMENSIONS	
24"	27" Diameter x 14.5" Depth
30"	33.5" Diameter x 14.5" Depth

Motor Specifications

- 2-Speed
- 1 Phase, 120V
- Permanent split capacitor
- Frame size: 48
- 1/2 HP
- Ball bearing
- Totally enclosed, permanently lubricated
- 1/2" Shaft

Pedestal Specifications

- Pedestal pole adjusts the center of the fan from 48 to 67 inches.
- Pedestal steel dome base is 27" in. diameter and has 5 carriage bolts.



HDH-30 FAN HEAD WITH HDM-P PEDESTAL MOUNT

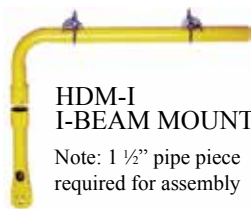


Factory Assembled and Tested Fan Heads, Mounts, and Wheel Kits



HDM-C CEILING MOUNT

Note: 1 1/2" pipe piece required for assembly



HDM-I I-BEAM MOUNT

Note: 1 1/2" pipe piece required for assembly



HDM-W WALL MOUNT



OPTIONAL WHEEL KIT

Standard Models

SIZE	CFM* / RPM		VELOCITY PROFILE	AMPS HIGH	FAN TYPE	FAN HEAD		MOUNT		WT. (LBS)	HEAD LIST	MOUNT LIST
	HIGH	LOW	CFM / Area Sq Ft			MFG CATALOG NUMBER	MFG MODEL NUMBER	MFG CATALOG NUMBER	MFG MODEL NUMBER			
24"	5600 / 1100	4900 / 800	7500 / 260	3.5	Fan Head	07960702	HDH 24	-----	-----	44	612	-----
					Pedestal Fan		HDH 24	07960902	HDM-P	78	612	204
					Wall Mount Fan		HDH 24	07961002	HDM-W	47	612	81
					I-Beam Mount Fan		HDH 24	07961102	HDM-I	53	612	154
					Ceiling Mount Fan		HDH 24	07961202	HDM-C	47	612	89
30"	6800 / 1100	6000 / 800	8000 / 270	4	Fan Head	07960802	HDH 30	-----	-----	48	625	-----
					Pedestal Fan		HDH 30	07960902	HDM-P	82	625	204
					Wall Mount Fan		HDH 30	07961002	HDM-W	51	625	81
					I-Beam Mount Fan		HDH 30	07961102	HDM-I	57	625	154
					Ceiling Mount Fan		HDH 30	07961202	HDM-C	51	625	89
Optional Wheel Kit							08681302	ACM-WK	4	----	90	

*Measured 2 feet from face of fan

TPI Industrial Assembled Circulator Heads and Mounts

Features

- Pull chain switch
- SJT type 3 conductor, 12' long cord
- Steel hub/spider aluminum paddle blades
- Coated steel guards
- Meets OSHA standards
- Made in U.S.A. with domestic and foreign components.

DIMENSIONS	
24"	27" Diameter x 14.5" Depth
30"	33.5" Diameter x 14.5" Depth



ACH 30

Motor Specifications

- 2-Speed
- 1 Phase, 120V
- Ball bearing
- Frame size: 48
- Totally enclosed
- Permanent split capacitor
- Permanently lubricated
- 1/2" Shaft



Product Specifications

- Oscillating model oscillates in a 90° arc or can be locked in a fixed position
- Metal gears in the oscillating mechanism allow the fan to operate at a maximum 30° downward tilt

Standard Models

H.P.	BLADE SIZE	MFG MODEL NUMBER	MFG CATALOG NUMBER	FAN HEAD TYPE	CFM*	VELOCITY PROFILE	RPM	AMPS	WT. (LBS)	LIST
						CFM / Area Sq Ft				
Industrial 1/4	24"	ACH 24	07961602	STATIONARY	3800 / 3400	6000 / 240	1100 / 800	2.5	40	350
	30"	ACH 30	07961702		4300 / 3800	7200 / 250	1100 / 800	2.7	44	363
1 Year Warranty										
High Performance 1/3	24"	IHP 24-H	07989802	STATIONARY	4300 / 3900	6000 / 240	1100 / 800	2.8	40	448
	30"	IHP 30-H	07989902		5400 / 4700	7200 / 250	1100 / 800	3	44	468
3 Year Warranty										
Heavy Duty 1/2	24"	HDH 24-G	08539202	STATIONARY	5600 / 4900	7500 / 260	1100 / 800	3.5	44	586
	30"	HDH 30-G	08528602		6800 / 6000	8000 / 270	1100 / 800	4	48	606
5 Year Warranty										
Industrial Oscillating 1/4	20"	ACH 20-O	08684802	OSCILLATING	3000 / 2600	5000 / 200	1100 / 900	2.4	43	474
	24"	ACH 24-O	07963602		3800 / 3400	6000 / 240	1100 / 800	2.5	44	540
	30"	ACH 30-O	07963702		4300 / 3800	7200 / 250	1100 / 800	2.7	48	559
1 Year Warranty										

*Measured 2 feet from face of fan

TPI offers six factory assembled and tested fan mounts that can be used with any of the non-oscillating TPI Industrial heads.

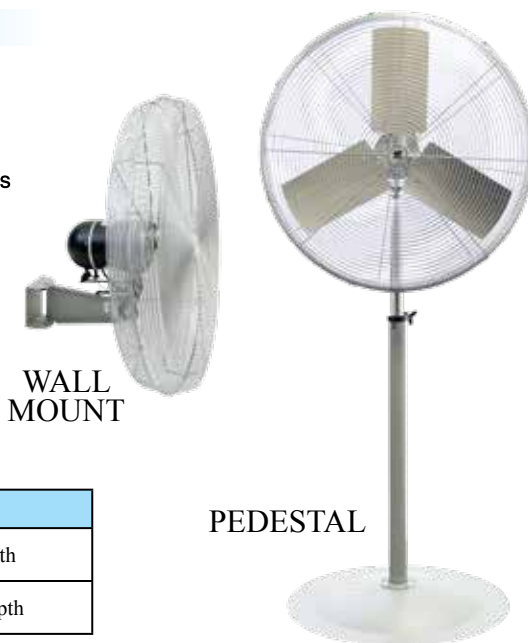
Industrial Mounts

MOUNT	MFG MODEL NUMBER	MFG CATALOG NUMBER	WT. (LBS)	LIST
Pedestal (1/2HP Models)	GACM-P	08753802	34	204
Pedestal (1/3 & 1/4HP Models)	ACM-P	07961802	34	192
Wall Mount	ACM-W	07961902	3	75
I-Beam Mount	ACM-I	07962002	9	146
Ceiling Mount	ACM-C	07962102	3	81
Suspension Mount	ACM-S	07962202	2	66
Pole Mount	ACM-PM	08681802	5	98
Optional Wheel Kit	ACM-WK	08681302	4	90

TPI Industrial Unassembled Circulators

Features

- Pull chain switch
- SJT type 3 conductor, 12' long cord
- Steel hub/spider aluminum paddle blades
- Coated steel guards
- Meets OSHA standards
- Motor, blades, guard, and mount are packed and shipped in a single UPS-able carton.
- Made in U.S.A. with domestic and foreign components.



WALL MOUNT

PEDESTAL

Motor Specifications

- 2-speed
- 1-Phase, 120V
- Ball bearing
- Frame size: 48
- Totally enclosed
- Permanent split capacitor
- Permanently lubricated
- 1/2" Shaft

DIMENSIONS	
24"	27" Diameter x 14.5" Depth
30"	33.5" Diameter x 14.5" Depth

Product Specifications

- Oscillating model oscillates in a 90° arc or can be locked in a fixed position
- Metal gears in the oscillating mechanism allow the fan to operate at a maximum 30° downward tilt

Standard Models

FAN TYPE		HIGH PERFORMANCE				MAX AMPS	STANDARD INDUSTRIAL				MAX AMPS	OSCILLATING				MAX AMPS
MOTOR	HP	1/3				2.8	1/4				2.5	1/4				2.5
	SPEEDS	2					2					2				
CFM / RPM	24"	4300 / 3900		3.0	2.8	3800 / 3400		2.7	2.5	3800 / 3400		2.7	2.5			
	30"	5400 / 4700				4300 / 3800				4300 / 3800						
COLOR		GRAY				GRAY				GRAY						
POLE ADJUSTMENT		52" to 78"				52" to 78"				52" to 78"						
WARRANTY		3 YEARS				1 YEAR				1 YEAR						
SIZE	TYPE of MOUNT	MFG CATALOG NUMBER	MFG MODEL NUMBER	WT. (LBS)	LIST	MFG CATALOG NUMBER	MFG MODEL NUMBER	WT. (LBS)	LIST	MFG CATALOG NUMBER	MFG MODEL NUMBER	WT. (LBS)	LIST			
24"	Pedestal Mount	07990002	UHP 24-P	75	606	07962302	ACU 24-P	75	451	07964002	ACU 24-PO	79	684			
	Wall Mount	07990202	UHP 24-W	45	494	07962402	ACU 24-W	45	376	07964102	ACU 24-WO	49	573			
30"	Pedestal Mount	07990102	UHP 30-P	73	625	07962802	ACU 30-P	73	464	07964202	ACU 30-PO	82	698			
	Wall Mount	07990602	UHP 30-W	48	513	07962902	ACU 30-W	48	389	07964302	ACU 30-WO	52	586			

TPI Industrial 20" Circulators



PEDESTAL



WALL MOUNT



Features

- Pull chain switch
- SJT type 3 conductor, 12' long cord
- Steel hub/spider aluminum paddle blades
- Coated steel guards
- Meets OSHA standards
- 1 Year limited warranty
- Made in U.S.A. with domestic and foreign components.

DIMENSIONS
22" Diameter x 14.5" Depth

Motor Specifications

- 2-Speed
- 1-Phase, 120V
- Ball bearing
- Frame size: 48
- 1/4 HP
- Permanent split capacitor
- Totally enclosed, permanently lubricated
- 1/2" Shaft

Standard Models

MFG CATALOG NUMBER	MFG MODEL NUMBER	STYLE	MOUNT TYPE	CFM / RPM	AMPS (HIGH)	WT. (LBS.)	LIST
08681402	ACU 20-P	Unassembled all components and mount in one box	Pedestal Mount	3000 / 2600 1100 / 900	2.4	72	436
08681602	ACU 20-PO		Pedestal Mount			76	460
08681502	ACU 20-W		Wall Mount			42	329
08681702	ACU 20-WO		Wall Mount			46	353
08684702	ACH 20	Assembled Fan Head	None - use with any TPI "ACM" or "CACM" Mount			39	314

TPI Industrial Circulator Components

Motors

TYPE	MFG CATALOG NUMBER	MFG MODEL NUMBER	LIST
HEAVY DUTY	07961302	HD-MOT	375
HIGH PERFORMANCE	07995102	IHP-MOT	263
INDUSTRIAL	07963302	AC-MOT	153
OSCILLATING	07964402	AC-MOT-O	356

Mounts

TYPE	MFG CATALOG NUMBER	MFG MODEL NUMBER	LIST
YELLOW MOUNTS			
PEDESTAL POLE & BASE	07960902	HDM-P	204
WALL MOUNT	07961002	HDM-W	81
I-BEAM MOUNT	07961102	HDM-I	154
CEILING MOUNT	07961202	HDM-C	89
GRAY MOUNTS			
PEDESTAL POLE & BASE	07961802	ACM-P	192
WALL MOUNT	07961902	ACM-W	75
I-BEAM MOUNT	07962002	ACM-I	146
CEILING MOUNT	07962102	ACM-C	81
SUSPENSION MOUNT	07962202	ACM-S	66
POLE MOUNT	08681802	ACM-PM	98
WHEEL KIT	08681302	ACM-WK	90
COMMERCIAL MOUNTS			
PEDESTAL POLE & BASE	08697502	CACM-P	151
FDA WHITE MOUNTS (FOR USE WITH WASHDOWN FAN HEADS IN FOOD SERVICE APPLICATIONS)			
PEDESTAL POLE & BASE	08682502	WACM-P	189
WALL MOUNT	08682602	WACM-W	75

Guards & Blades

TYPE	MFG CATALOG NUMBER	MFG MODEL NUMBER	LIST
YELLOW GUARD & BLADE FOR 1/2 HP MOTOR			
24"	07961402	HD-24GB	212
30"	07961502	HD-30GB	231
SILVER GUARD & BLADE FOR 1/2 HP (HD) MOTOR			
24"	07964502	HD-24GB-C	186
30"	07964602	HD-30GB-C	204
SILVER GUARD & BLADE FOR 1/3HP & 1/4HP MOTORS			
24"	07963402	AC-24GB	158
30"	07963502	AC-30GB	179

TPI Industrial Specialty Circulator Heads



Features

- No cord-junction box provided for hard wiring
- Steel hub/spider aluminum paddle blades
- Coated steel guards
- Meets OSHA standards
- 1 year limited warranty
- Made in U.S.A. with domestic and foreign components.

Motor Specifications

- All 1 Speed (except 277V which is 2 Speed)
- Totally enclosed, permanently lubricated
- Ball bearing

Standard Models

GENERAL DESCRIPTION	MFG MODEL NUMBER	MFG CATALOG NUMBER	SIZE	CFM*		VELOCITY PROFILE CFM / Area Sq Ft	MOTOR			AMPS (HIGH)					WT. (LBS)	LIST
				HIGH	LOW		HP	RPM	VOLTS	120v 1 ph	240v 1 ph	277v 1 ph	240v 3 ph	480v 3 ph		
Hazardous Location Class I Group D Class II Group F & G Unassembled Head	ACH 24-EX1	08551902	24"	4300		6000 / 240	1/4	1725	120 or 240 1-phase	5	2.6	----	----	----	66	1085
	ACH 30-EX1	08552002	30"	5400		7200 / 250			240 or 480 3-phase	----	----	----	1.4	0.7	69	1177
	ACH 24-EX3	08552102	24"	4300		6000 / 240			240 or 480 3-phase	----	----	----	1.4	0.7	66	1157
	ACH 30-EX3	08552202	30"	5400		7200 / 250			240 or 480 3-phase	----	----	----	1.4	0.7	69	1267
240V / 480V 3-Phase Unassembled Head	ACH 24-TE3	08552302	24"	4300		6000 / 240	1/4	1725	240 or 480 3-phase	----	----		1.4	0.7	45	684
	ACH 30-TE3	08552402	30"	5400		7200 / 250			240 or 480 3-phase	----	----	----	1.4	0.7	48	750
277 Volt Assembled Head	IHP 24-H-277	08541302	24"	4300	3900	6000 / 240	1/3	1125	277 1-phase	----	----	1	----	----	40	526
	IHP 30-H-277	08542202	30"	5400	4700	7200 / 250			277 1-phase	----	----	----	1	----	44	559
Wash down rated 120V / 240V 1-Phase Assembled Head	IHP 20-H-WD	08721902	20"	3200		5200 / 220	1/3	1725	120 or 240 1-phase	4.5	2.2		----	----	46	1000
	IHP 24-H-WD	08541802	24"	4300		6000 / 240			120 or 240 1-phase	4.5	2.2		----	----	48	1036
	IHP 30-H-WD	08541902	30"	5400		7200 / 250			120 or 240 1-phase	4.5	2.2		----	----	52	1071

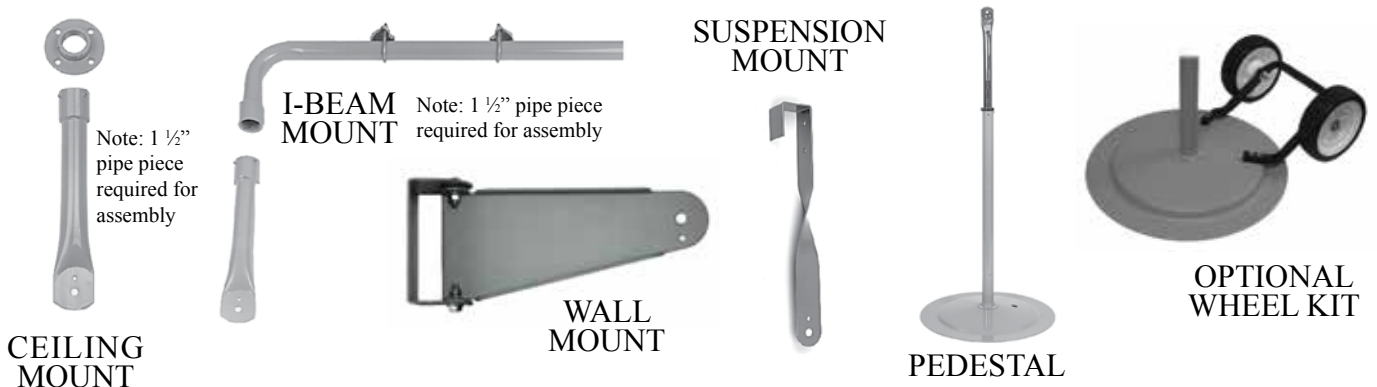
*Measured 2 feet from face of fan

Note: Wash down rated fan heads have heavy zinc coated guards - Use FDA white coated mounts shown on page 8 for food service applications.

Product Specifications

- Pedestal pole adjusts the center of fan from 48" to 67" and bolts to 27" diameter steel dome base with 5 carriage bolts
- I-beam mount & ceiling mount require 1 1/2" or longer pipe nipple for assembly (not supplied)
- Pole mount attaches to 4", 6", or 8" with U-bolts (not supplied)

Standard Models



CIRCULATOR MOUNT	MFG MODEL NUMBER	MFG CATALOG NUMBER	WT. (LBS)	LIST
Pedestal	ACM-P	07961802	34	192
Wall Mount	ACM-W	07961902	3	75
I-Beam Mount	ACM-I	07962002	9	146
Ceiling Mount	ACM-C	07962102	3	81
Suspension Mount	ACM-S	07962202	2	66
Pole Mount	ACM-PM	08681802	5	98
Optional Wheel Kit	ACM-WK	08681302	4	90

TPI Commercial Circulators



These circulators should be used in clean and dry commercial applications - such as schools, shops, offices or warehouses.

Commercial Circulator

Motor, blades, guards, and mount are packed and shipped in a single UPS-able carton.



PEDESTAL MOUNT



WALL MOUNT

Features

- Pull chain switch.
- SJT type 3 conductor, 9' long cord.
- Coated steel guards with retaining clips.
- Steel hub/spider aluminum paddle blades.
- Pole adjusts center of fan from 43" to 60".
- Meets OSHA standards.
- 1 Year limited warranty.
- Imported to TPI specifications

Motor Specifications

- 1-Phase
- 120V
- 1/4 HP, 1/3 HP on HD Models
- 2 or 3-Speed
- Ball bearing
- Permanently lubricated
- Open ventilated
- Permanent split capacitor

Standard Models

MFG CATALOG NUMBER	MFG MODEL NUMBER	SIZE	HP	TYPE	MOUNT TYPE	CFM*			VELOCITY PROFILE	AMPS (HIGH)	WT. (LBS)	LIST
						HIGH	MED	LOW	CFM / Area Sq Ft			
08706202	CACU 24-P	24"	1/4	Standard	Pedestal Mount	3400	3100	2800	5400 / 220	2.3	63	372
08706402	CACU 24-W				Wall Mount						43	318
08697402	CACU 30-P	30"			Pedestal Mount	4200	3800	3500	6700 / 240	2.4	66	411
08706302	CACU 30-W				Wall Mount						46	330
08761702	CACU 30-P-HD	30"	1/3	Heavy Duty	Pedestal Mount	5000	4600	4200	7000 / 250	3.60	56	478

*Measured 2 feet from face of fan

Note: Stocked models may differ in appearance from photograph

TPI Commercial Oscillating Fans

Commercial wall mount and pedestal fans now available from TPI.

Units imported to TPI specifications.

Standard Models



MFG CATALOG NUMBER	MFG MODEL NUMBER	SIZE	HP	TYPE	MOUNT TYPE	CFM*			VELOCITY PROFILE	AMPS			WT. (LBS)	LIST
						HIGH	MED	LOW	CFM / Area Sq Ft	HIGH	MED	LOW		
08748902	CACU 24-PO	24"	1/4	Standard	Pedestal Mount	3200	3000	2800	5100 / 230	1.45	1.15	1.1	68	436
08749102	CACU 24-WO				Wall Mount								48	372
08749002	CACU 30-PO	30"			Pedestal Mount	4200	3800	3500	6700 / 250	2.0	1.8	1.6	70	457
08749202	CACU 30-WO				Wall Mount								51	404
08761802	CACU 30-PO-HD	30"	1/3	Heavy Duty	Pedestal Mount	5000	4600	4200	7000 / 250	3.60	3.02	2.94	64	585

*Measured 2 feet from face of fan

Note: Stocked models may differ in appearance from photograph - sizes are nominal.

36", 42", & 48" TPI Commercial Belt Drive Portable Blowers



Features

- Rocker switch
- SJT type cord - 3 conductor - 8' long
- Aluminum blade
- Spiral wire front and rear guards
- Powder coated 20 gauge steel housing
- 5" rubber wheels
- Meets OSHA standards / 1 Year limited warranty
- Imported to TPI specifications

Motor Specification

- 2-Speed
- 120V
- Ball bearing
- 1-Phase
- ODP type
- Permanently lubricated

Standard Models

MFG CATALOG NUMBER	MFG MODEL NUMBER	MOTOR HP	CFM*		VELOCITY PROFILE	MAX AMPS	WT. (LBS)	LIST
			HIGH	LOW	CFM / Area Sq Ft			
08734702	CPB 36-B	1/3	5,400	4,600	8600 / 300	4.8	82	664
08706602	CPB 42-B	1/2	7,600	6,700	12000 / 320	6.5	93	852
08722702	CPB 48-B	3/4	8,800	7,700	14000 / 500	9.0	129	1152

*Measured 2 feet from face of fan
 Note: Photograph is a representation of stocked models. Actual model may vary in appearance.

24", 30", & 36" TPI Commercial Direct Drive Portable Blowers



Features

- Rocker switch
- SJT type cord - 3 conductor - 6' long
- Spiral wire front and rear guards
- Powder coated 20 gauge steel housing
- 5" rubber wheels
- Meets OSHA standards
- 1 Year limited warranty
- Imported to TPI specifications

Motor Specification

- 2-Speed
- 120 Volt, 1/3HP
- Ball bearing
- 1-Phase
- Open ventilated
- Permanently lubricated

Standard Models

MFG CATALOG NUMBER	MFG MODEL NUMBER	TYPE	CFM*		VELOCITY PROFILE	MAX AMPS	CORD LENGTH	SWITCH	BLADES	WT. (LBS)	LIST
			HIGH	LOW	CFM / Area Sq Ft						
08753502	CPB 30-D	Standard / Floor	4,400	3,800	6700 / 250	3.6	6'	ROCKER	ALUMINUM	52	492
08710302	CPBS 30-D	Standard / Swivel	4,400	3,800	6700 / 250	3.6	6'	ROCKER	ALUMINUM	60	560
08722602	CPB 36-D	Standard / Floor	5,400	4,600	8500 / 300	3.6	10'	ROTARY	STEEL	70	610
08770102	CPBS 24-DHV	High Velocity / Swivel	3,400	2,900	5400 / 240	2.4	9'	ROTARY	ALUMINUM	38	438

*Measured 2 feet from face of fan
 Note: Photograph is a representation of stocked models. Actual model may vary slightly in appearance.

30", 36", & 42" TPI Industrial Direct Drive Portable Blowers



STANDARD MODEL



SWIVEL MODEL



Features

- Comes in sizes 30", 36", & 42"
- Rocker switch
- SJT type 3 conductor, 12' long cord
- Aluminum, 3 paddle blade
- Spiral, wire front and rear guards
- Corrosion and dent proof high density polyethylene housing
- 36" & 42" swivel model rotates 130° in 12 1/2° increments and locks in place with a steel locking pin
- Meets OSHA standards
- 1 Year limited warranty
- Made in U.S.A.

Motor Specifications

- 120V, 1-Phase
- 36"-1/3HP 42"-1/2HP
- Ball bearing
- Permanent split capacitor
- 2-Speed on 36" model
- 1-Speed on 42" model
- Permanently lubricated
- Totally enclosed

Standard Models

MFG CATALOG NUMBER	MFG MODEL NUMBER	FAN		WHEEL SIZE	MOTOR HP	CFM* / RPM		VELOCITY PROFILE CFM / Area Sq Ft	AMPS (HIGH)	WT. (LBS.)	LIST
		SIZE	TYPE			HIGH	LOW				
08743902	PB 30-D	30"	STANDARD	8"	1/4	4400	3800	7200 / 250	2.5	65	691
08744002	PBS 30-D	30"	SWIVEL	10"							
08730402	PB 36-D	36"	STANDARD	8"	1/3	6500 / 1040	5400 / 950	11500 / 320	5.5	82	760
08730502	PBS 36-D	36"	SWIVEL	10"							
08730702	PB 42-D	42"	STANDARD	10"	1/2	9,000 / 825		15000 / 340	6.0	102	1069
08730802	PBS 42-D	42"	SWIVEL	10"							

*Measured 2 feet from face of fan

Note: Photograph is a representation of stocked models. Actual model may vary slightly in appearance.

48" TPI Industrial Direct Drive Portable Blowers



Features

- Corrosion and dent proof high density polyethylene housing
- Rocker switch
- SJT type 3 conductor, 12' long cord
- Steel, 2 paddle blade
- Spiral, wire front and rear guards
- 10" wheels
- Swivel model rotates 130° in 12 1/2° increments and locks in place with a steel locking pin
- Meets OSHA standards
- 1 Year limited warranty
- Made in U.S.A.

Motor Specifications

- 1-Phase
- 3/4 HP
- Ball bearing
- Permanent split capacitor
- 120V
- 1-Speed
- Permanently lubricated
- Totally enclosed

Features

MFG CATALOG NUMBER	MFG MODEL NUMBER	SIZE	FAN TYPE	MOTOR HP	CFM* \ RPM	VELOCITY PROFILE CFM / Area Sq Ft	AMPS (HIGH)	DIMENSIONS			WT. (LBS)	LIST
								"H"	"D"	"W"		
07997802	PB 48-D-OP	48"	STANDARD	3/4	11,800 / 825	14000 / 360	10.3	58.5	29	55.5	117	1543
07998002	PBS 48-D-OP	48"	SWIVEL	3/4	11,800 / 825	14000 / 360	10.3	----	----	----	142	1761

*Measured 2 feet from face of fan

Note: Photograph is a representation of stocked models. Actual model may vary slightly in appearance.

36", 42", & 48" TPI Industrial Belt Drive Portable Blowers



STANDARD MODEL



SWIVEL MODEL

Features

- Comes in sizes 36", 42", and 48"
- Rocker switch on 120V, Single Phase models
- SJT type 3 conductor, 12' long cord on 120V, Single Phase models / no cord on dual voltage models
- Aluminum, 4 paddle blade (48" PB / PBS have steel blade)
- Spiral, wire front and rear guards
- Corrosion and dent proof high density polyethylene housing
- 8" wheels (36" model), 10" wheels (42" & 48" models)
- Swivel model rotates 130° in 12 1/2° increments and locks in place with a steel locking pin
- External junction boxes on dual voltage models allow units to be wired for either voltage without removing guards
- Hazardous location models have explosion proof motors, metal housings, and external junction boxes rated for Class I, Group D and Class II, Groups E, F, & G
- Meets OSHA standards
- 1 year limited warranty
- Made in U.S.A.



CORDWRAP INCLUDED WITH STANDARD MODEL

Motor Specifications

- 1-Speed
- Permanently lubricated
- Ball bearing

Standard Models

MOTOR LISTING	SIZE	MOTOR				CFM**	VELOCITY PROFILE	STANDARD MODEL				SWIVEL MODEL			
		TYPE	HP	RPM	AMPS		CFM / Area Sq Ft	MFG CATALOG NUMBER	MFG MODEL NUMBER	WT. (LBS)	LIST	MFG CATALOG NUMBER	MFG MODEL NUMBER	WT. (LBS)	LIST
	36"	120 V 1 PH ODP	1/2	500	8.0	6,900	14000 / 360	07964702	PB 36-B	120	1130	07965002	PBS 36-B	145	1331
	42"		3/4	430	11.0	10,600	17500 / 420	07964802	PB 42-B	135	1291	07965102	PBS 42-B	160	1531
	48"		1	390	15.0	14,400	23500 / 550	07964902	PB 48-B	155	1449	07965202	PBS 48-B	180	1725
	36"	240/480 V 3 PH ODP	1/2	500	2.3 / 1.1	6,900	14000 / 360	08508602	PB 36-B-3	127	1509	08509202	PBS 36-B-3	152	1779
	42"		3/4	430	3.3 / 1.5	10,600	17500 / 420	08508702	PB 42-B-3	143	1692	08509302	PBS 42-B-3	168	2110
	48"		1	390	3.4 / 1.7	14,400	23500 / 550	08508802	PB 48-B-3	164	1926	08509402	PBS 48-B-3	189	2220
----	36"	120/240 V 1 PH EXP	1/2	500	7.8 / 3.9	6,900	14000 / 360	08508902	PB 36-B-HL*	135	2275	08509502	PBS 36-B-HL	160	2511
	42"		3/4	430	10.8 / 5.4	10,600	17500 / 420	08509002	PB 42-B-HL*	150	2394	08509602	PBS 42-B-HL	175	2861
	48"		1	390	13.2 / 6.6	14,400	23500 / 550	08509102	PB 48-B-HL*	173	2807	08509702	PBS 48-B-HL	198	3096

**Measured 2 feet from face of fan *Models have no listing.
 Note: Products listed in this section are custom built and subject to 100% cancellation/restocking charges.
 Note: Photograph is a representation of stocked models. Actual model may vary slightly in appearance.

TPI Industrial Direct Drive Suspension Blowers



Features

- On-Off rocker switch
- SJT type 3 conductor, 12' long cord
- Aluminum blade
- Powder coated spiral wire front and rear guards
- Corrosion and dent proof high density polyethylene housing
- Spiral wire front and rear guards
- Meets OSHA standards
- 1 year limited warranty
- Made in U.S.A.

Motor Specifications

- 120V, 1-Phase
- Ball bearing
- Permanent split capacitor
- 2-Speed on 30" & 36" model
- 1-Speed on 42" model
- Permanently lubricated

Standard Models

SIZE	MOTOR HP	MFG CATALOG NUMBER	MFG MODEL NUMBER	CFM*		VELOCITY PROFILE	RPM HIGH	AMPS HIGH	WT. (LBS)	LIST
				HIGH	LOW	CFM / Area Sq Ft				
30"	1/4	08748802	SB 30-D	4,400	3,800	7200 / 250	1050	2.5	58	656
36"	1/3	08730602	SB 36-D	6,500	5,400	11500 / 320	1050	5.6	70	760
42"	1/2	08730902	SB 42-D	9,000		15000 / 340	825	7.9	99	1070

*Measured 2 feet from face of fan

TPI Industrial Belt Drive Suspension Blowers



Features

- On-Off rocker switch on 120V, 1-Phase models
- SJT type 3 conductor, 12' long cord on 120V, 1 phase models
- No cord on dual voltage models
- Aluminum blade
- Powder coated front and rear guards
- Corrosion and dent proof high density polyethylene housing
- Powder coated spiral wire front and rear guards
- Meets OSHA standards
- 1 year limited warranty
- Mounting chain not included.
- Made in U.S.A.

Motor Specifications

- 120V, 1-Phase
- Ball bearing
- Permanent split capacitor
- 2-Speed on 30" & 36" model
- 1-Speed on 42" model
- Permanently lubricated

External junction boxes on dual voltage models allow units to be wired for either voltage without removing guards. Hazardous Location models have explosion proof motors and external junction boxes rated for Class I, Group D, & Class II, Groups E, F & G., (Metal housing and no switch.)

Standard Models

MFG CATALOG NUMBER	MFG MODEL NUMBER	SIZE	MOTOR		CFM**	VELOCITY PROFILE	RPM	AMPS	WT. (LBS)	LIST
			TYPE	HP		CFM / Area Sq Ft				
07965502	SB 36-B	36"	115 V	1/2	6,900	14000 / 360	500	8	120	1078
07965602	SB 42-B	42"	1 PH	3/4	10,600	17500 / 420	430	11	135	1229
07965702	SB 48-B	48"	ODP	1	14,400	23500 / 550	390	15	155	1380
08509802	SB 36-B-3	36"	230 / 460 V	1/2	6,900	14000 / 360	500	2.3 / 1.1	127	1438
08509902	SB 42-B-3	42"	3 PH	3/4	10,600	17500 / 420	430	3.3 / 1.5	143	1741
08510002	SB 48-B-3	48"	ODP	1	14,400	23500 / 550	390	3.8 / 1.9	164	1833
08510102	SB 36-B-HL*	36"	115 / 230 V	1/2	6,900	14000 / 360	500	7.8 / 3.9	135	2275
08510202	SB 42-B-HL*	42"	1 PH	3/4	10,600	17500 / 420	430	10.8 / 5.4	150	2587
08510302	SB 48-B-HL*	48"	EXP	1	14,400	23500 / 550	390	13.2 / 6.6	173	2807

Note: Products listed in this section are custom built and subject to 100% cancellation/restocking charges.
 Note: Photograph is a representation of stocked models. Actual model may vary slightly in appearance.

*Models have no listing.
 **Measured 2 feet from face of fan

TPI Industrial Heavy Duty Direct Drive Blowers

Features

- Totally enclosed and explosion proof motors
- Explosion proof motors are Class 1, Div 1, Group D and Class 2, Div 1, Groups F & G
- Cast Aluminum props
- 14 gauge steel body and stand
- Acid resistant coating available
- Baked enamel coating
- 360° Swivel on high and medium stand units
- Meets federal OSHA requirements
- 1 year limited warranty

NOTE:

Single phase motors are field convertible 115V / 230V

Three phase motors are field convertible 230V / 460V

Motors are set to lower voltage at the factory unless a request is made at time of order to set to the higher voltage



LOW STAND

MEDIUM STAND

HIGH STAND

Standard Models

SIZE	MFG MODEL NUMBER	HP	RPM	CFM	DB's @ 10'	WT. (LBS)			LIST											
						STAND			TEC		EXP		TEC		EXP		TEC		EXP	
						LOW	MED	HIGH	1PH	3PH	1PH	3PH	1PH	3PH	1PH	3PH	1PH	3PH	1PH	3PH
MODEL NUMBER SUFFIXES									-L	-L-3	-L	-L-3	-M	-M-3	-M	-M-3	-H	-H-3	-H	-H-3
18"	MCD18-1/4	1/4	1725	3050	74	103	145	210	2732	2720	3145	3211	3368	3355	3774	3850	3675	3663	4090	8278
	MCD18-1/3	1/3	1725	3450	76	105	150	215	2825	2849	3362	3500	3459	3479	3996	4142	3768	3787	4310	7800
	MCD18-1	1	1725	4600	77	117	165	230	3187	3070	3780	3850	3828	3704	4410	4485	4135	4014	4723	4794
24"	MCD24-1/4	1/4	1725	5200	80	115	165	230	2796	2785	3199	3279	3513	3508	3914	3996	3763	3594	4165	4247
	MCD24-1/3	1/3	1140	5300	74	126	175	250	3245	3279	4124	4171	3960	3996	4839	4888	4211	4084	5090	5137
	MCD24-1/2	1/2	1725	6000	80	120	170	240	3030	3041	3659	3594	3746	3758	4374	4310	3996	3850	4624	4560
	MCD24-3/4	3/4	1140	6900	74	140	190	260	3868	3500	4385	4265	4584	4222	5103	4981	4834	4310	5352	5230
	MCD24-1	1	1725	7400	82	130	180	250	3286	3169	3873	3943	4002	3885	4589	4659	4252	3973	4839	4909
	MCD24-1 1/2	1.5	1725	8200	84	137	190	255	3473	3320	5132	4217	4188	4042	5848	4933	4439	4130	6098	5183
	MCD24-3	3	1725	10500	87	160	210	270	----	3624	----	4584	----	4340	----	5307	----	4433	----	5550
30"	MCD30-1/3	1/3	1140	6900	80	150	205	260	3559	3594	4439	4485	4345	4380	5225	5277	4659	4694	5533	5586
	MCD30-1/2	1/2	1725	8900	86	141	195	250	3349	3362	3979	3914	4142	4152	4769	4708	4451	4461	5078	5015
	MCD30-3/4	3/4	1140	10400	80	210	260	320	4096	3734	4608	4490	4881	4520	5400	5282	5190	4828	5708	5592
	MCD30-1	1	1140	11200	81	200	260	310	4909	3938	5854	4659	5702	4728	6645	5445	6010	5038	6953	5754
	MCD30-1 1/2	1.5	1725	12000	92	200	250	310	3780	3629	5440	4526	4566	4422	6232	5317	4874	4728	6540	5626
	MCD30-2	2	1140	14000	84	225	270	330	----	4211	----	5242	----	5003	----	6034	----	5312	----	6343
	MCD30-3	3	1725	16000	94	220	265	325	----	3855	----	4817	----	4648	----	5608	----	4958	----	5913
36"	MCD36-1	1	1140	13000	82	250	320	375	5545	4573	6488	5289	6517	5550	7466	6268	6722	5749	7664	6465
	MCD36-1 1/2	1.5	1725	14850	88	250	320	375	4385	4235	6045	5132	5359	5207	7018	6104	5562	5411	7222	6309
	MCD36-2	2	1140	17500	82	255	325	380	----	4678	----	5713	----	5655	----	6686	----	5854	----	6890
	MCD36-3	3	1725	18500	90	260	330	390	----	4468	----	5428	----	5440	----	6406	----	5643	----	6605
	MCD36-5	5	1725	23000	94	260	330	390	----	4544	----	5598	----	5515	----	6570	----	5713	----	6768
42"	MCD42-2	2	1140	19500	85	315	415	565	----	5370	----	6406	----	6406	----	7438	----	6815	----	7850
	MCD42-5	5	1725	27000	98	320	420	570	----	5230	----	6290	----	6268	----	7320	----	6680	----	7740
48"	MCD48-5	5	1140	32000	92	500	620	710	----	7094	----	8835	----	8235	----	9976	----	8961	----	10704
	MCD48-7 1/2	7.5	1140	37000	105	625	745	835	----	8235	----	11118	----	9378	----	12259	----	10104	----	12982
	MCD48-10	10	1140	41000	105	682	800	890	----	9638	----	12207	----	10779	----	13342	----	11503	----	14070
60"	MCD60-3	3	690	35000	87	690	855	965	----	15119	----	----	----	17273	----	----	----	17767	----	----
	MCD60-5	5	690	45000	87	730	895	1005	----	17004	----	----	----	19152	----	----	----	19653	----	----
	MCD60-7 1/2	7.5	870	47000	90	945	1110	1220	----	14250	----	----	----	16399	----	----	----	16894	----	----
	MCD60-10	10	870	57200	91	1035	1200	1310	----	17737	----	----	----	19887	----	----	----	20387	----	----
	MCD60-15	15	870	60750	92	1080	1245	1355	----	23200	----	----	----	25348	----	----	----	25848	----	----

Manual Starter Switches

MFG MODEL NUMBER		H.P. RATING	LIST PRICE	
1 PH	3 PH		TEC	
			1 PH	3 PH
SW-1/4	SW-1/4-3	1/4-1/3	527	1257
SW-1/2	SW-1/2-3	1/2-3/4	527	1257
SW-1	SW-1-3	1	527	1257
SW-1 1/2	SW-1 1/2-3	1.5	1236	1257
----	SW-2-3	2	----	1257
----	SW-3-3	3	----	1257
----	SW-5-3	5	----	1257
----	SW-7 1/2-3	7.5	----	1193

Polyolifin Casters

MFG MODEL NUMBER	FAN SIZE	WHEEL SIZE	WT. (LBS)	LIST
CAS - 18	18" - 30"	4"	10	505
CAS - 48	36" - 48"	5"	14	711

(FOR LOW & MEDIUM STAND)
4 CASTERS - 2 LOCKING

Note: Products listed in this section are custom built and subject to 100% cancellation/restocking charges.

TPI Industrial Heavy Duty Permanent Mount Direct Drive Blowers

Features



- Front and rear spiral guards
- Explosion proof motors are Class 1, Div 1, Group D and Class 2, Div 1, Groups F & G
- Cast aluminum props
- 14 gauge steel body and stand
- Meets federal OSHA requirements
- 1 year limited warranty

NOTE:

Single Phase motors are field convertible 115V / 230V

Three Phase motors are field convertible 230V / 460V

Motors are set to lower voltage at the factory unless a request is made at time of order to set to the higher voltage

Standard Models

BLADE SIZE	MFG MODEL NUMBER	HP	RPM	CFM	DB'S @ 10'	WT. (LBS)		LIST PRICE									
								1-WAY SWIVEL				2-WAY SWIVEL					
						1-WAY SWIVEL		EXP		TEC		EXP		TEC		EXP	
						1PH	3PH	1PH	3PH	1PH	3PH	1PH	3PH	1PH	3PH	1PH	3PH
MODEL NUMBER SUFFIXES								-T	-T-3	-T	-T-3	-S	-S-3	-S	-S-3		
18"	MCD18-1/4	1/4	1725	3050	74	130	140	3624	3613	4030	4101	4548	4539	4963	5033		
	MCD18-1/3	1/3	1725	3450	76	135	145	3717	3734	4252	4392	4643	4659	5183	5325		
	MCD18-1	1	1725	4600	77	145	155	4077	3960	4665	4742	5008	4888	5598	5668		
24"	MCD24-1/4	1/4	1725	5200	80	145	155	3734	3717	4135	4217	4708	4689	5103	5183		
	MCD24-1/3	1/3	1140	5300	74	155	165	4182	4217	5062	5108	5149	5183	6029	6074		
	MCD24-1/2	1/2	1725	6000	80	150	160	3967	3979	4595	4532	4933	4951	5562	5499		
	MCD24-3/4	3/4	1140	6900	74	170	180	4805	4444	5325	5201	5773	5411	6290	6173		
	MCD24-1	1	1725	7400	82	160	170	4222	4106	4812	4881	5190	5074	5779	5848		
	MCD24-1 1/2	1.5	1725	8200	84	165	175	4403	4259	6068	5155	5375	5225	7035	6123		
	MCD24-3	3	1725	10500	87	190	200	----	4560	----	5521	----	5527	----	6488		
30"	MCD30-1/3	1/3	1140	6900	80	180	190	4532	4566	5411	5457	5604	5638	6477	6529		
	MCD30-1/2	1/2	1725	8900	86	170	180	4322	4334	4958	4888	5395	5405	6023	5958		
	MCD30-3/4	3/4	1140	10400	80	240	250	5068	4701	5586	5463	6134	5773	6652	6535		
	MCD30-1	1	1140	11200	81	230	240	5883	4909	6832	5633	6953	5982	7898	6698		
	MCD30-1 1/2	1.5	1725	12000	92	230	240	4753	4603	6413	5499	5824	5673	7483	6570		
	MCD30-2	2	1140	14000	84	255	265	----	5183	----	6214	----	6255	----	7285		
	MCD30-3	3	1725	16000	94	250	260	----	4828	----	5795	----	5893	----	6860		
36"	MCD36-1	1	1140	13000	82	295	305	6756	5779	7700	6494	8083	7105	9027	7826		
	MCD36-1 1/2	1.5	1725	14850	88	295	305	5586	5440	7252	6336	6919	6768	8578	7664		
	MCD36-2	2	1140	17500	82	300	310	----	5883	----	6919	----	7217	----	8248		
	MCD36-3	3	1725	18500	90	315	325	----	5673	----	6635	----	7000	----	7962		
	MCD36-5	5	1725	23000	94	305	315	----	5743	----	6803	----	7078	----	8130		

Exhaust Ventilation Guide

Minute air change chart for Commercial and Industrial Applications.

$$\text{CFM Required for Ventilation} = \frac{\text{Building Cubic Feet}}{\text{Minutes Per Air Change}}$$

Place	Typical	Range
Assembly	(6)	2-10
Auditoriums	(6)	1-20
Bakeries	(2)	1-3
Banks	(6)	3-10
Bars	(4)	2-5
Barns	(15)	10-20
Boiler Rooms	(2)	1-3
Bowling Alley	(3)	1-5
Cafeteria	(4)	3-5
Churches	(6)	2-10
Classrooms	(6)	4-8
Compressor Rooms	(2)	1-3
Dance Halls	(6)	2-10
Dairies	(4)	2-5
Dormitories	(6)	4-8
Dry Cleaning Plant	(3)	1-5

Place	Typical	Range
Engine Rooms	(3)	1-5
Factories	(7)	4-10
Foundries	(5)	2-8
Garages	(7)	4-10
Generating Plants	(4)	2-5
Glass Plants	(2)	1-3
Gymnasiums	(6)	2-10
Hallways	(8)	4-12
Kitchens (Comm.)	(3)	1-5
Laboratories	(3)	1-5
Libraries	(4)	2-5
Laundries	(2)	1-3
Locker Rooms	(6)	2-10
Machine Shops	(4)	2-5
Markets	(6)	2-10

Place	Typical	Range
Mills	(4)	2-5
Packing Houses	(4)	3-5
Plants	(7)	4-10
Plating Plants	(4)	2-5
Print Shops	(7)	4-10
Restaurants	(6)	2-10
Rest Rooms	(7)	4-10
Schools	(7)	4-10
Stores	(7)	4-10
Theaters	(6)	4-8
Transformer Rooms	(3)	1-5
Turbine Rooms	(4)	2-5
Waiting Rooms	(12)	10-15
Warehouses	(7)	4-10
Welding Rooms	(3)	1-4

Note: Products listed in this section are custom built and subject to 100% cancellation/restocking charges.

TPI Industrial Mini-Blowers



FLOOR MODEL



MBM-W
(optional wall/ceiling mount)



YOKE MOUNTED MODEL

TOTALLY ENCLOSED MOTOR ALLOWS MINI-BLOWER TO BE USED IN DIRTY OR DUSTY ENVIRONMENTS.

AVAILABLE AS FLOOR MODEL OR YOKE MOUNTED MODEL THAT CAN BE DIRECTLY BOLTED TO ANY SURFACE OR USED WITH OPTIONAL WALL/CEILING MOUNT.

Features

- Floor models have rotary switch
- Yoke mounted models have pull chain switch
- SJT type 3 conductor, 10' long cord
- Aluminum blade
- Spiral, wire front and rear guards
- Corrosion and dent proof high density polyethylene housing
- Meets OSHA standards
- 1 year limited warranty
- Made in U.S.A. with domestic and foreign components.

Motor Specifications

- 1-Phase
- 1/4 HP
- Ball bearing
- Totally enclosed
- 120V
- 2-Speed
- Permanently lubricated
- Permanent split capacitor

Standard Models

MFG CATALOG NUMBER	MFG MODEL NUMBER	FAN		CFM* / RPM		VELOCITY PROFILE CFM / Area Sq Ft	DIMENSIONS			AMPS (High)	WT. (LBS)	LIST
		TYPE	SIZE	HIGH	LOW		"H"	"W"	"D"			
08743502	MB 24-DF	FLOOR STYLE	24"	3300 / 1140	2900 / 1070	5200 / 240	29 1/2"	28 1/2"	14 1/4"	2.2	52	656
08743602	MB 24-DY	YOKE STYLE		29"	28 1/2"		14 1/4"					
08743702	MB 30-DF	FLOOR STYLE	30"	4400 / 1040	3900 / 730	7000 / 250	38 1/2"	37 1/2"	14 1/2"	2.5	58	725
08743802	MB 30-DY	YOKE STYLE		38"	37 1/2"		14 1/2"					
07989002	MBM-W	OPTIONAL WALL/CEILING MOUNT FOR YOKE STYLE MINI-BLOWER									4	133

*Measured 2 feet from face of fan

TPI Industrial Heavy Duty Square Belt Drive Portable Blowers



4" CASTERS

Features

- On-Off rocker switch
- SJT type 3 conductor, 12' long cord
- Aluminum blade
- Permanently lubricated bearings on blade drive shaft
- Powder coated front and rear guards
- Powder coated 20 gauge venturi
- 18 gauge galvanized steel housing
- Meets OSHA standards / 1 Year limited warranty
- Made in U.S.A.

Motor Specifications

- 1-Phase
- Ball bearing
- Drip proof motor
- 120V
- 1-Speed
- Permanently lubricated
- 1/2" Shaft

Standard Models

SIZE	MFG CATALOG NUMBER	MFG MODEL NUMBER	MOTOR			CFM*	VELOCITY PROFILE CFM / Area Sq Ft	DIMENSIONS			WT. (LBS)	LIST
			HP	RPM	AMPS			"H"	"W"	"D"		
36"	08683602	PCBT 36-B	1/2	500	8.0	6,900	14,000 / 360	48 1/4"	28 1/4"	22 1/2"	120	1675
42"	08683702	PCBT 42-B	3/4	430	11.0	10,600	17,500 / 420	56 1/2"	34 1/4"	22 1/2"	140	2177
48"	08683802	PCBT 48-B	1	390	15.0	14,400	23,500 / 550	62 1/2"	40 1/4"	18 1/2"	185	2646

*Measured 2 feet from face of fan

Industrial Workstation Floor Fans

Features



- Rotary switch
- Head tilts 360°
- Coated steel guards
- SJT type 3 conductor, 10' long cord
- Steel hub/spider aluminum paddle blades
- Meets OSHA standards
- 1 Year limited warranty
- Imported to TPI specifications.

Motor Specifications

- Sleeve bearing
- Totally enclosed
- 1-Phase, 120V
- 3-Speed
- Permanently lubricated
- Frame size: 42
- 5/16" Shaft

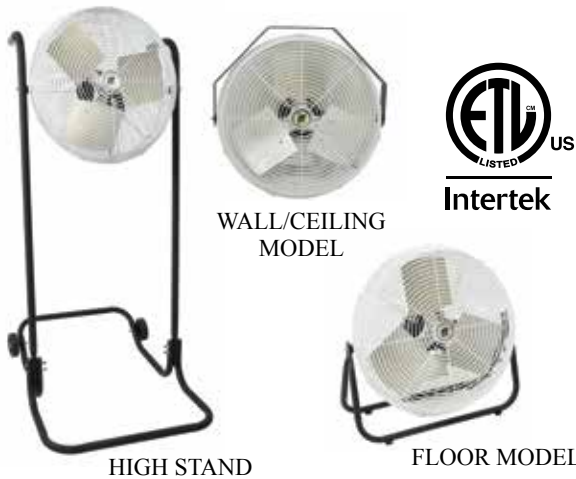
Standard Models

SIZE	MFG CATALOG NUMBER	MFG MODEL NUMBER	FAN TYPE	MOTOR HP	CFM** / RPM			VELOCITY PROFILE	DIMENSIONS			MAX AMPS	WT. (LBS)	LIST
					HIGH	MED	LOW	CFM / Area Sq Ft	"H"	"W"	"D"			
12"	07986102	F-12-TE	FLOOR MODEL	1/12	900 / 1590	800 / 1380	700 / 1080	1400 / 50	15 1/4"	14 1/2"	9 1/2"	1.1	13	148
18"	07972902	F-18-TE		1/8	1800 / 1660	1500 / 1550	1300 / 1370	2900 / 125	20 1/2"	20 1/2"	10 1/2"	1.5	20	185
24"	08528502	F-24-TE		1/8	2100 / 1634	1900 / 1484	1600 / 1200	3500 / 150	26"	26"	10 1/2"	2.4	23	342
18"	07973002	F-18H-TE*	HIGH STAND	1/8	1800 / 1660	1500 / 1550	1300 / 1370	2900 / 125	53"	25"	27"	2.2	27	269
24"	08540602	F-24H-TE*		1/8	2100 / 1634	1900 / 1484	1600 / 1200	3500 / 150	53"	30"	27"	2.4	30	450

**Measured 2 feet from face of fan
*Made in U.S.A. with domestic and foreign components.

Corrosion Resistant Industrial Workstation Fans

Features



- Pull chain switch
- Head tilts 360°
- FDA white coated steel guards
- SJTW type 3 conductor, 10' long cord
- Steel hub/spider aluminum paddle blades
- Corrosion resistant motor and switch
- Meets OSHA standards / 1 Year limited warranty
- Made in U.S.A. with domestic and foreign components.

Motor Specifications

- Sleeve bearing
- Totally enclosed
- 1-Phase, 120V
- 3-Speed
- Permanently lubricated
- Frame size: 42
- 1/2" Shaft
- Sealed electrical enclosure

Standard Models

SIZE	MFG CATALOG NUMBER	MFG MODEL NUMBER	FAN TYPE	MOTOR HP	CFM* / RPM			VELOCITY PROFILE	DIMENSIONS			MAX AMPS	WT. (LBS)	LIST
					HIGH	MED	LOW	CFM / Area Sq Ft	"H"	"W"	"D"			
18"	08763202	F-18-CR	FLOOR MODEL	1/8	1800 / 1660	1500 / 1550	1300 / 1370	2900 / 125	20 1/2"	20 1/2"	10 1/2"	1.5	20	387
24"	08763502	F-24-CR		1/8	2100 / 1634	1900 / 1484	1600 / 1200	3500 / 150	26"	26"	10 1/2"	2.4	23	443
18"	08763302	F-18H-CR	HIGH STAND	1/8	1800 / 1660	1500 / 1550	1300 / 1370	2900 / 125	53"	25"	27"	2.2	27	515
24"	08763602	F-24H-CR		1/8	2100 / 1634	1900 / 1484	1600 / 1200	3500 / 150	53"	30"	27"	2.4	30	554
18"	08763102	U-18-CR	WALL/CEILING MODEL	1/8	1800 / 1660	1500 / 1550	1300 / 1370	2900 / 125	21 1/2"	20 1/2"	10 1/2"	2.2	20	387
24"	08763402	U-24-CR		1/8	2100 / 1634	1900 / 1484	1600 / 1200	3500 / 150	27"	26"	10 1/2"	2.4	23	443

*Measured 2 feet from face of fan

Industrial Mounted Workstation Fans



FAN SIZE	DIMENSIONS		
	"H"	"W"	"D"
12"	15 1/4"	14 1/2"	9 1/2"
18"	21 1/2"	20 1/2"	10 1/2"
24"	27"	26"	10 1/2"

Features

- Pull chain switch
- Head rotates 360° vertically and horizontally
- Coated steel guards
- SJT type 3 conductor, 10' long cord
- Steel hub/spider aluminum paddle blades
- Meets OSHA standards / 1 Year limited warranty
- Imported to TPI specifications

Motor Specifications

- Sleeve bearing
- Totally enclosed, permanently lubricated
- Frame size: 42
- 3-Speed
- 1-Phase, 120V
- 5/16" Shaft

Standard Models

Pipe Mount Adaptor

FAN SIZE	MFG CATALOG NUMBER	MFG MODEL NUMBER	MOTOR HP	CFM* / RPM			VELOCITY PROFILE CFM / Area Sq Ft	MAX AMPS	WT. (LBS)	LIST	PIPE DIAMETER	MFG CATALOG NUMBER	MFG MODEL NUMBER	LIST
				HIGH	MED	LOW								
12"	07986002	U-12-TE	1/12	900 / 1590	800 / 1380	700 / 1080	1400 / 50	1.1	13	154	1"	08512402	PM-1	52
											1 1/2"	08512502	PM-1.5	57
18"	07972802	U-18-TE	1/8	1800 / 1660	1500 / 1550	1300 / 1370	2900 / 125	2.2	20	190	2"	08512602	PM-2	63
											2 1/2"	08512702	PM-2.5	68
24"	08540702	U-24-TE	1/8	2100 / 1634	1900 / 1484	1600 / 1200	3500 / 150	2.4	23	356	3"	08512802	PM-3	75

*Measured 2 feet from face of fan

Note: Mount with one bolt or lag screw to walls, ceilings, work benches, machines or any surface.

TPI Commercial Floor Fans

Features



CF-20

- Rotary switch
- SJT type cord - 3 conductor - 7' long
- Aluminum blade
- Coated steel guards with retaining clips
- Meets OSHA standards / 1 Year limited warranty
- Imported to TPI specifications



Motor Specification

- 3-Speed
- 120V
- Sleeve bearing
- 1-Phase
- Open ventilated
- Permanently lubricated

Standard Models

MFG CATALOG NUMBER	MFG MODEL NUMBER	SIZE	TYPE	MOTOR HP	CFM			MAX AMPS	WT. (LBS)	LIST
					HIGH	MED	LOW			
08723002	CF-12	12"	FLOOR	1/12	1050	875	750	0.6	10	86
08723102	CF-18	18"	FLOOR	1/5	1600	1480	1380	1.4	16	107
08706502	CF-20	20"	FLOOR	1/5	1725	1600	1480	1.9	18	148

Units should be used in clean, dry, commercial applications.

Note: Photograph is a representation of stocked models. Actual model may vary in appearance.

Workstation Oscillating Office Fans

Features

- 3-speed oscillating fans with push button controls
- 3 conductor SPT cord & plug
- White powder coated wire mesh guards
- White plastic housing and blade
- Stand fan extends to 40" height
- Meets OSHA standards / 1 Year limited warranty
- Imported to TPI specifications



STAND FAN

DESK FAN



Standard Models

SIZE	MFG CATALOG NUMBER	MFG MODEL NUMBER	FAN TYPE	SPEEDS	CFM HIGH	AMPS HIGH	WT. (LBS)	LIST
12"	08513002	ODF-12	DESK	3	860	0.4	5.4	74
16"	08513102	ODF-16	DESK	3	1530	0.5	8.5	86
16"	08513202	OSF-16	STAND	3	1530	0.5	15.5	109

Workstation Wall Mount Fan With Pivoting Arm

18" HIGH VELOCITY FAN MOUNTED ON 24", 40", or 60" PIVOTING ARMS



Mounting Arm Features

- 1 1/2" square, 14 gauge, steel tubing
- 3" x 5" x 3/16" mounting plate attaches with (4) 3/8" bolts
- 5' long, 18/3 SJTW conductor cord and NEMA 5-15 grounded plug
- Dual electrical outlets embedded in arm to allow connection of modular fan and optional light
- Made in U.S.A. with domestic and foreign components.

Modular Fan Features

- 18" high velocity circulator, with 3 speed, 1/8 HP, 115V, 1-Phase permanently lubricated, totally enclosed, PSC motor
- Modular fan plugs into electrical outlet on arm
- Coated steel guards / Aluminum blades
- Meets OSHA standards / 1 year limited warranty

Use on loading docks to cool off workers entering hot truck trailers.

Use at factory workstations to cool off people or the machines.

Standard Models

MFG CATALOG NUMBER	MFG MODEL NUMBER	FAN SIZE	ARM LENGTH	FAN CFM*			VELOCITY PROFILE	MAX AMPS	WT. (LBS)	LIST
				HIGH	MED	LOW	CFM / Area Sq Ft			
08009102	24-LDF-TE	18"	24"	1800	1500	1300	2900 / 125	2.2	31	312
08009202	40-LDF-TE	18"	40"						38	388
08009302	60-LDF-TE	18"	60"						44	417

*Measured 2 feet from face of fan

Optional Modular Lights



DKL-INC mounted on 40-LDF-TE (above)

Light Features

- Plugs into embedded outlet in arm
- On/Off switch and wire guard included
- Bulb included with DKL-QH and DKL-FL
- Made in U.S.A. with domestic and foreign components.

Standard Models

MFG CATALOG NUMBER	MFG MODEL NUMBER	LIGHT HEAD TYPE	MAX WATTS	MAX LUMENS	AVE. BULB LIFE (HRS)	WT. (LBS)	LIST
04465602	DKL-INC	Incandescent	300	3,700	2,000	5	80
04465702	DKL-QH	Quartz Halogen	500	11,000	2,000	6	119
04843302	DKL-FL	Fluorescent	55	3,000	10,000	7	185
04708602	DKL-LED	LED	12	960	50,000	5	273

Low Velocity "Special Application" Workstation Fan



WALL MOUNT



BENCH MOUNT CEILING MOUNT

Features

- 12" all metal, gray powder coated fan that can be wall, ceiling or bench mounted
- Direct wire electrical connection
- Toggle switch
- Fan head tilts 90° in horizontal and vertical plane
- Meets OSHA standards / 1 year limited warranty
- Made in U.S.A. with domestic and foreign components

Standard Models

SIZE	MFG CATALOG NUMBER	MFG MODEL NUMBER	MOTOR HP	CFM* / RPM		VELOCITY PROFILE	AMPS HIGH	WT. (LBS)	LIST
				HIGH	LOW	CFM / Area Sq Ft			
12"	08708902	N-12	1/12	800 / 1350	600 / 1000	1200 / 40	0.6	12	324

*Measured 2 feet from face of fan

Portable Workstation Evaporative Coolers

Evap-Mini - Features



FRONT Patented

- Lowers temperatures up to 30°F
- Water level sight tube and sump drain
- 3/4" garden hose connection for longer running
- Durable one-piece, rust free, leak-proof molded polyethylene housing
- Environmentally friendly efficient and effective
- Cools for a fraction of the cost of air conditioning
- Cools without chemicals or refrigerants
- Long-term dependability-near maintenance-free operation
- Shipped completely assembled - ready to operate out of the box



Standard Models

MFG CATALOG NUMBER	MFG MODEL NUMBER	MOTOR HP	UNIT VOLTS	UNIT AMPS	CFM (2 Speed)		EFFECTIVE SQ. FT.	INTERNAL WATER (Gallons)	DIMENSIONS H x W x D (Inches)	WT. (LBS)	LIST
					HIGH	LOW					
05397802	EVAP-Mini 700	1/3	20	5.6	3000	2400	700	16	38" x 29" x 25"	113	1764

**15°F - 25°F OF EVAPORATIVE COOLING
- PLUS -
6°F - 8°F OF WIND CHILL COOLING**

EVAPORATIVE COOLING TEMPERATURE DROPS			
AIR TEMPERATURE	RELATIVE HUMIDITY		
	10%	30%	50%
80°	-22°	-16°	-10°
90°	-25°	-18°	-12°
100°	-29°	-21°	-14°
110°	-32°	-23°	-15°

Hazardous Location - Standard Models



FRONT Patented

Hazardous Location - Specific Features

- All switches, motors, and cord connections are sealed to prevent sparking in combustible locations
- Shipped completely assembled, ready to use
- 120/240V operation
- Manufactured in U.S.A.
- Component Rating: Class 1A, Division D for Hazardous Location



CONTROL Patented



Hazardous Location - Standard Models

MFG CATALOG NUMBER	MFG MODEL NUMBER	MOTOR HP	UNIT AMPS	CFM			EFFECTIVE SQ. FT.	INTERNAL WATER (Gallons)	DIMENSIONS L x W x H (Inches)	WT. (LBS)	LIST
				HIGH	MED	LOW					
08748302	EVAP36-HAZ	1/2	13.4	9600			2500	32	32 x 62 x 67	330	14124
08748502	EVAP48-HAZ	1	18	20000			4000	40	36 x 74 x 86	460	17091



FRONT Patented



FRONT Patented



BACK Patented

Features

- Liquid level indicator with automatic pump shut off
- When pump is deenergized, red LED indicator light is on
- Heavy duty casters
- Variable speed motors
- Built in handles for easy moving
- Two inch drain for convenient flushing and cleaning



BACK Patented

Standard Models

MFG CATALOG NUMBER	MFG MODEL NUMBER	EFFECTIVE SQ. FT.	CFM	VELOCITY (MPH)	INTERNAL WATER (Gallons)	FAN BLADE (Inches)	UNIT AMPS	WT. (LBS)	SPEEDS	DIMENSIONS L x W x H (Inches)	LIST
08774102	EVAP16HD	1,125	4,500	29	50	16	5.4	152	Variable	60.8 x 41.8 x 24.5	3250
08774202	EVAP24HD	2,125	8,500	24	55	24	9.2	213	Variable	69.8 x 54.9 x 32.5	4250
08774302	EVAP36HD	3,125	12,500	25	60	36	15	267	Variable	77 x 67 x 34.5	5210
08774402	EVAP48HD	5,625	22,500	26	65	48	20	375	Variable	89.4 x 78.8 x 40.3	7180

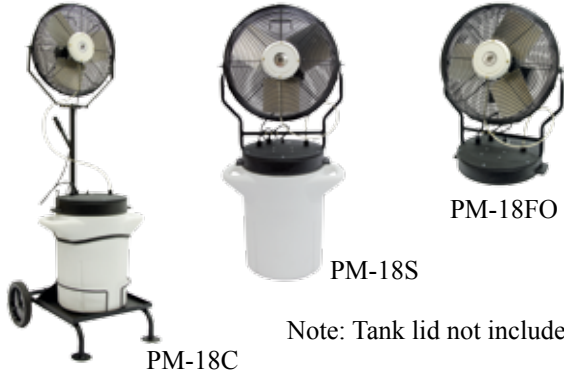
Replacement Media Pads



MFG CATALOG NUMBER	MFG MODEL NUMBER	CORRESPONDING EVAP UNITS	LIST*
08775002	PADEVAP-Mini700	EVAP Mini-700	215
08774802	PADEVAP16HD	EVAP16HD	390
08774702	PADEVAP24HD	EVAP24HD	588
08774602	PADEVAP36HD	EVAP36HD	785
08774502	PADEVAP48HD	EVAP48HD	981

*Pricing is for complete set

Portable 18" Self Contained Power Mister



SELF CONTAINED MISTING SYSTEM WITH WATER PUMPED FROM A 10 GALLON TANK OR VESSIL.

Features

- Toggle Switch - fan only or fan & mist
- SJT type cord - 3 conductor - 18' long with GFCI plug
- 18" Aluminum blade
- Spiral front and rear wire guards
- Standard model - Low Pressure 85 PSI diaphragm pump
- HD model - Medium Pressure 125 PSI diaphragm pump
- Meets OSHA standards / 1 year limited warranty / Made in U.S.A.

Motor Specification

- 1-Speed, 1/8 HP
- Sleeve bearing
- Permanently lubricated
- 1-Phase, 120 Volt
- Totally enclosed
- Permanent split capacitor

Note: Tank lid not included.

Standard Models

18" Fan & Pump Lid for 10gal. Tank

MFG CATALOG NUMBER	MFG MODEL NUMBER	FAN SIZE	TYPE	MOTOR HP	CFM*	AMPS	WT. (LBS)	VELOCITY PROFILE	LIST
								CFM / Area Sq Ft	
08554702	PM-18S	18"	HAND CARRY	1/10	1900	1.1	30	3100 / 140	1111
08775702	PM-18S-HD								1161
08554702	PM-18C	18"	CART	1/10	1900	1.1	30		1413
08775602	PM-18C-HD								1463
08760702	NK-PM18								---

MFG CATALOG NUMBER	MFG MODEL NUMBER	WT. (LBS)	LIST
08555202	PM-18FO	28	952
08775802	PM-18FO-HD	28	1002

*Measured 2 feet from face of fan

Industrial Ceiling Fans



Features

- All metal construction, white epoxy finish
- 24" down rod with safety cable
- Mounts to 3/8" diameter steel J-hook
- 18 pole (motor), 115V, 1-Phase, capacitor type, impedance protected motor with sealed ball bearings
- Imported to TPI specifications

Note: Photograph is a representation of stocked models. Actual model may vary in appearance.

Commercial Grade

- Assembly required
- 30" lead wires
- 1 year limited warranty

Industrial Grade

- Fully assembled except blade bolt down
- 3 conductor cord, 30" long with plug
- Permanently lubricated
- 3 year limited warranty

Heavy Duty Grade

- Fully assembled except blade bolt down
- 3 conductor cord, 30" long with plug
- Permanently lubricated
- 6 year limited warranty

Standard Models

GRADE	MFG CATALOG NUMBER	MFG MODEL NUMBER	TYPE	SIZE	VOLTS	CFM	RPM	AMPS	WT. (LBS)	LIST
Commercial	08529602	CHR-56*	Down Draft	56"	120	7000	320	0.6	15	182
Industrial	07979902	IHR-48	Down Draft	48"	120	5000	320	0.53	14	245
Industrial	07971502	IHR-56	Down Draft	56"	120	7000	310	0.6	15	258
Industrial	07980002	IHR-56R*	Reversible	56"	120	7000	310	0.55	14	263
Industrial	08008902	IHR-56-277V*	Down Draft	56"	277	7000	310	0.3	16	263
Water and Dust Resistant Models										
Heavy Duty	08540802	HDHR-56WR	Down Draft	56"	120	7000	320	1.1	17	362
Heavy Duty	08540902	HDHR-60WR	Down Draft	60"	120	7800	320	0.8	21	408

* 277 volt, commercial, and reversing models have lead wires instead of cordset. 36" down rod available for additional charge.

Solid State Controls (120 & 277V Models)

MFG CATALOG NUMBER	MFG MODEL NUMBER	VOLTS	MAX AMPS	VARIABLE CONTROL KNOB	REVERSING SWITCH	MAX # OF FANS	USE WITH CEILING FAN MODEL	LIST
07976302	KBWC-13K	120	3	YES; W/3" X 5" ALUMINUM PLATE (FITS 2" X 4" OPENING)	No	1-2	CHR-56, IHR-48/56, HDHR-56/60-WR	48
07976402	KBWC-15	120	5			3-5	CHR-56, IHR-48/56, HDHR-56/60-WR	114
07994102	KBWC-110K	120	10			6-10	CHR-56, IHR-48/56, HDHR-56/60-WR	166
08666802	KBWC-15SK	120	5		Yes	3-5	IHR-56R	153
08526502	KBWC-310K	277	10		No	6-10	IHR-56-277V	319

Options

MFG CATALOG NUMBER	MFG MODEL NUMBER	TYPE	LIST
08512202	HR-GUARD	FOR 56" MODELS	1006
08504202	ADD SUFFIX; "X3"	36" DOWN ROD OPTION	+49 Adder

Shutter Mounted Direct Drive Exhaust Fans

Features

- Can be installed from inside wall
- Eliminates need for external framing and shutter
- Pull chain switch
- No Cord-Junction box provided for direct wiring
- Aluminum blade
- Steel spiral wire guards
- Made in U.S.A. with domestic and foreign components.
- See sizing chart on page15



Motor Specifications

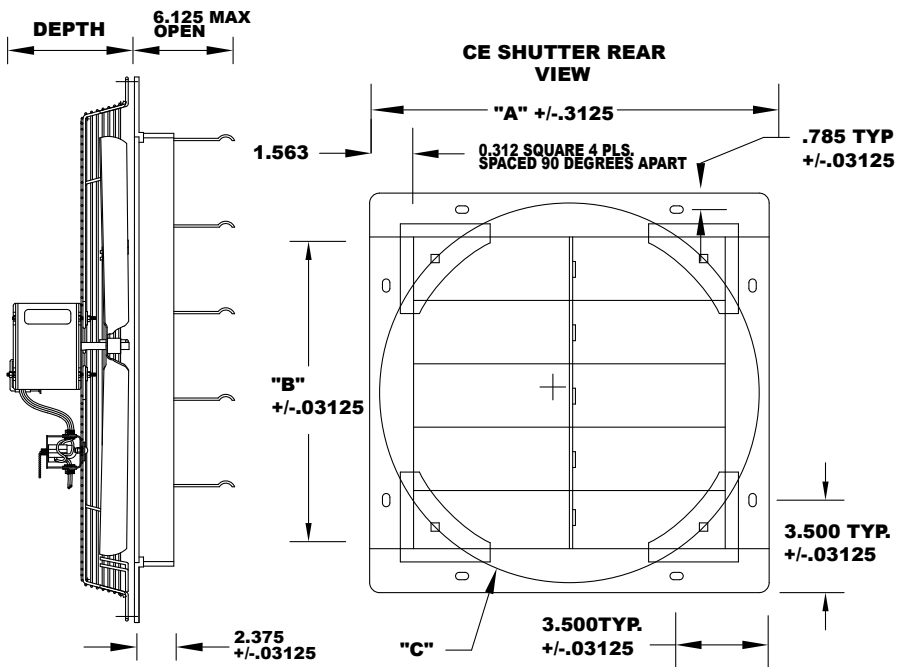
- 120V, 1-Phase, totally enclosed, permanently lubricated
 - 1/12 HP motor is 3-Speed sleeve bearing permanent split capacitor
 - 1/8 HP motor is 3-Speed sleeve bearing permanent split capacitor
 - 1/4 HP motor is 2-Speed ball bearing permanent split capacitor
- Note: Rough-in hole size is 1/2" inch larger than fan blade size

Standard Models

FAN SIZE	MFG CATALOG NUMBER	MFG MODEL NUMBER	HP	CFM / RPM			AMPS HIGH	WT. (LBS)	LIST
				HIGH	MED	LOW			
10"	08689902	CE 10-DS	1/12	680 / 1560	540 / 1250	460 / 1080	1	11	313
12"	07986202	CE 12-DS	1/12	825 / 1560	710 / 1250	560 / 1080	1.1	16	353
14"	08690002	CE 14-DS	1/8	1520 / 1660	1400 / 1550	1250 / 1370	2	17	448
16"	08690102	CE 16-DS	1/8	2100 / 1660	1900 / 1550	1700 / 1370	2.1	18	468
18"	07986302	CE 18-DS	1/8	2300 / 1660	2100 / 1050	1850 / 1370	2.2	25	509
20"	08690202	CE 20-DS	1/4	2925 / 1140	-	2380 / 1070	2.3	34	603
24"	07986402	CE 24-DS	1/4	3400 / 1140	-	2770 / 1070	2.5	47	671
30"	07986502	CE 30-DS	1/4	3950 / 1140	-	3080 / 1070	2.7	54	840

Dimensions (Inches)

SIZE	DEPTH	DIMENSIONS		
		"A"	"B"	"C"
10"	5.81"	13.125"	10"	12.375"
12"	7.18"	15.125"	12"	14.375"
14"	7.18"	17.125"	14"	16.375"
16"	7.18"	19.125"	16"	18.250"
18"	7.18"	21.125"	18"	21.750"
20"	7.18"	23.125"	20"	23.686"
24"	7.18"	27.125"	24"	27.750"
30"	7.18"	33.125"	30"	33.750"



Guard Mounted Direct Drive Exhaust Fans

Features

- Bolts directly to the wall
 - Can be used with or without external shutter
 - Pull chain switch
 - No Cord-Junction box provided for direct wiring
 - Aluminum blade
 - Steel spiral wire guards
 - Made in U.S.A. with domestic and foreign components.
- Note: Rough-in hole size is 1/2" inch larger than fan blade size



Motor Specifications

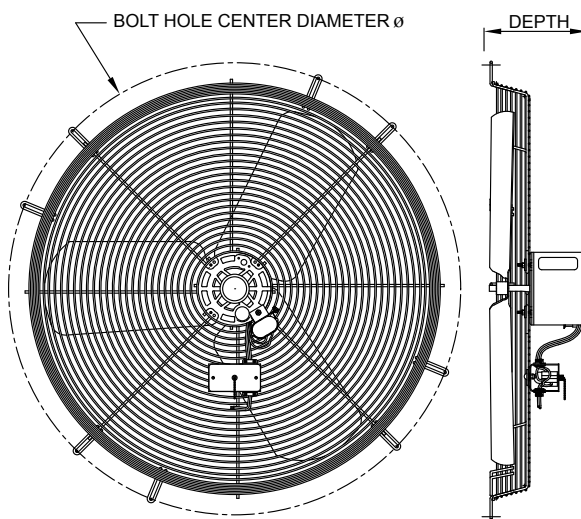
- 120V, 1-Phase, totally enclosed, permanently lubricated
- 1/12 HP motor is 3-Speed sleeve bearing permanent split capacitor
- 1/8 HP motor is 3-Speed sleeve bearing permanent split capacitor
- 1/4 HP motor is 2-Speed ball bearing permanent split capacitor

Standard Models

FAN SIZE	MFG CATALOG NUMBER	MFG MODEL NUMBER	HP	CFM / RPM			AMPS HIGH	WT. (LBS)	LIST
				HIGH	MED	LOW			
10"	08689502	CE 10-D	1/12	680 / 1560	540 / 1250	460 / 1080	1	11	265
12"	07985002	CE 12-D	1/12	825 / 1560	710 / 1250	560 / 1080	1.1	12	299
14"	08689602	CE 14-D	1/8	1520 / 1660	1400 / 1550	1250 / 1370	2	17	317
16"	08689702	CE 16-D	1/8	2100 / 1660	1900 / 1550	1700 / 1370	2.1	18	333
18"	07984902	CE 18-D	1/8	2300 / 1660	2100 / 1050	1850 / 1370	2.2	19	366
20"	08689802	CE 20-D	1/4	2925 / 1140	-	2380 / 1070	2.3	34	475
24"	07984802	CE 24-D	1/4	3400 / 1140	-	2770 / 1070	2.5	38	528
30"	07984702	CE 30-D	1/4	3950 / 1140	-	3080 / 1070	2.7	42	616

Dimensions (Inches)

SIZE	BOLT HOLE CENTER WIDTH	DEPTH
10"	14.14"	5.81"
12"	16.46"	7.18"
14"	18.30"	7.18"
16"	20.34"	7.18"
18"	22.64"	7.18"
20"	25.46"	7.18"
24"	29.08"	7.18"
30"	34.89"	7.18"



Optional Wall Shutters

FAN SIZE	MFG CATALOG NUMBER	MFG MODEL NUMBER	WT. (LBS)	LIST
10"	08684302	CES-10G	5	71
12"	07985502	CES-12G	5.5	98
14"	08684502	CES-14G	6.5	119
16"	08514702	CES-16G	8	139
18"	07985602	CES-18G	9	168
20"	07975202	CES-20G	10	187
24"	07985702	CES-24G	13	208
30"	07985802	CES-30G	19	243

Venturi Mounted Direct Drive Exhaust Fans

Features

- Can be installed from inside wall
- Can be used with external shutter
- Pull chain switch
- No Cord-Junction box provided for direct wiring
- Aluminum blade
- Steel spiral wire guards
- Made in U.S.A. with domestic and foreign components.



Motor Specifications

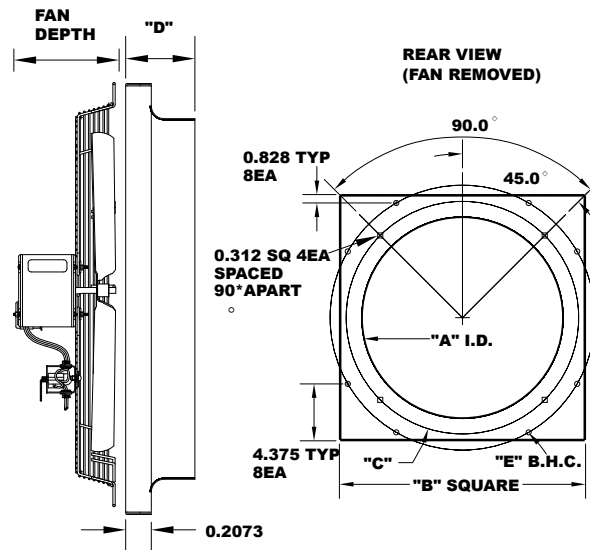
- 120V, 1-Phase, totally enclosed, permanently lubricated
 - 1/12 HP motor is 3-Speed sleeve bearing permanent split capacitor
 - 1/8 HP motor is 3-Speed sleeve bearing permanent split capacitor
 - 1/4 HP motor is 2-Speed ball bearing permanent split capacitor
- Note: Rough-in hole size is 1/2" inch larger than fan blade size

Standard Models

FAN SIZE	MFG CATALOG NUMBER	MFG MODEL NUMBER	HP	CFM / RPM			AMPS HIGH	WT. (LBS)	LIST
				HIGH	MED	LOW			
10"	08690302	CE 10-DV	1/12	680 / 1560	540 / 1250	460 / 1080	1	11	313
12"	07986602	CE 12-DV	1/12	825 / 1560	710 / 1250	560 / 1080	1.1	17	352
14"	08690402	CE 14-DV	1/8	1520 / 1660	1400 / 1550	1250 / 1370	2	17	448
16"	08690502	CE 16-DV	1/8	2100 / 1660	1900 / 1550	1700 / 1370	2.1	18	468
18"	07986702	CE 18-DV	1/8	2300 / 1660	2100 / 1050	1850 / 1370	2.2	26	509
20"	08690602	CE 20-DV	1/4	2925 / 1140	-	2380 / 1070	2.3	34	603
24"	07986802	CE 24-DV	1/4	3400 / 1140	-	2770 / 1070	2.5	48	671
30"	07986902	CE 30-DV	1/4	3950 / 1140	-	3080 / 1070	2.7	55	840

Dimensions (Inches)

SIZE	DEPTH	DIMENSIONS				
		"A"	"B"	"C"	"D"	"E"
10"	5.81"	10.250"	12.63"	12.375"	2.000"	12.875"
12"	7.18"	12.250"	14.50"	14.375"	2.000"	14.625"
14"	7.18"	14.250"	17.13"	16.375"	2.500"	17.375"
16"	7.18"	16.250"	19.13"	18.250"	2.875"	20.000"
18"	7.18"	18.125"	21.00"	21.750"	2.750"	22.875"
20"	7.18"	20.250"	23.13"	23.686"	2.750"	25.625"
24"	7.18"	24.250"	29.50"	27.750"	2.875"	27.875"
30"	7.18"	30.250"	33.50"	33.750"	2.875"	33.875"



Optional Wall Shutters

FAN SIZE	MFG CATALOG NUMBER	MFG MODEL NUMBER	DIMENSIONS		WT. (LBS)	LIST
			WIDTH	LENGTH		
10"	08684302	CES-10G	13.13"	13.13"	5.0	71
12"	07985502	CES-12G	15.13"	15.13"	5.5	98
14"	08684502	CES-14G	17.13"	17.13"	6.5	119
16"	08514702	CES-16G	19.00"	19.00"	8.0	139
18"	07985602	CES-18G	21.13"	21.13"	9.0	168
20"	07975202	CES-20G	23.13"	23.13"	10.0	187
24"	07985702	CES-24G	27.13"	27.13"	13.0	208
30"	07985802	CES-30G	33.13"	33.13"	19.0	243

Commercial Exhaust Fans & Shutters

Belt-Drive Exhaust Fan

Features

- 120V, 1 phase or 230 / 460V, 3-Phase, ball bearing, permanently lubricated, drip proof motor
- Permanently lubricated bearings on blade drive shaft
- Aluminum blade
- Powder coated venturi
- 1725 RPM • Motor frame size 56 • 5/8" shaft
- 1 year warranty
- Made in U.S.A.



Dimensions (Inches)

MODEL	DIMENSIONS A x B x C x D
CE-24B	29.5" x 28" x .75" x 17"
CE-30B	35.5" x 34" x .75" x 17"
CE-36B	41.5" x 40" x .75" x 17"
CE-42B	48" x 48" x .75" x 17"
CE-48B	54" x 54" x .75" x 17"

Standard Models

SIZE	MOTOR HP	AMPS		CFM	WT. (LBS)	115V 1-PHASE			230/460V 3-PHASE		
		115V	230/460V			MFG CATALOG NUMBER	MFG MODEL NUMBER	LIST	MFG CATALOG NUMBER	MFG MODEL NUMBER	LIST
24	1/3	5	1.9 / .9	3000	50	07967002	CE-24B	759	08510402	CE-24B-3	873
30	1/3	6	1.9 / .9	4500	60	07967102	CE-30B	855	08510502	CE-30B-3	976
36	1/2	8	2.3 / 1.1	6900	65	07967202	CE-36B	987	08510602	CE-36B-3	1104
42	3/4	11	3.3 / 1.5	10600	75	07967302	CE-42B	1240	08510702	CE-42-B-3	1537
48	1	15	3.8 / 1.9	14400	98	07967402	CE-48B	1549	08510802	CE-48-B-3	1638

Optional Exhaust Shutters



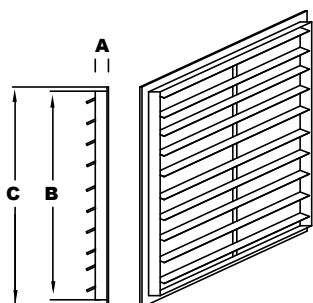
Features

- Air open - gravity close
- Aluminum frame
- Aluminum blade
- Weather stripping for tighter seal
- Made in U.S.A.

Standard Models

MFG CATALOG NUMBER	MFG MODEL NUMBER	WT. (LBS)	LIST
07967502	CES-24	11	255
07967602	CES-30	15	313
07967702	CES-36	19	547
07967802	CES-42	23	695
07967902	CES-48	28	801

Shutter Dimensions (Inches)



- (A) Thickness
- (B) Blade Housing Size
- (C) Overall Size

MFG MODEL NUMBER	OUTSIDE FRAME DIMENSIONS A x C x C	INSIDE FRAME DIMENSIONS B x B
CES-24	3" x 27" x 27"	24" x 24"
CES-30	3" x 33" x 33"	30" x 30"
CES-36	3" x 39" x 39"	36" x 36"
CES-42	3" x 45" x 45"	42" x 42"
CES-48	3" x 51" x 51"	48" x 48"

* Recommend adding 1/2" to inside frame dimension for wall opening.

Industrial Direct Drive Exhaust Fans

Features

- Totally enclosed motors:
 - 1-Phase motors are field convertible 115V / 230V
 - 3-Phase motors are field convertible 230V / 460V
 - Motors are set to lower voltage at the factory, unless a request is made at time of order to set to the higher voltage
- 14 gauge steel venturi with steel pipe bracing
- 4-blade steel propeller
- 1 year limited warranty



Options

- CES Shutters
- EMF Front Guards
- IBG Rear Guards

Standard Models

BLADE SIZE	MFG MODEL NUMBER		PANEL SIZE (Sq.)	HP	RPM	CFM 0" SP	db's @ 10'	WT. (LBS)	LIST	
	1-PHASE	3-PHASE							TEC	
	115/230V-60Hz	230/460v-60Hz							1 PH	3 PH
12"	IED12-1/4	IED12-1/4-3	16"	1/4	1725	1480	64	30	1297	1302
16"	IED16-1/3	IED16-1/3-3	20"	1/3	1725	2834	73	40	1553	1584
18"	IED18-1/2	IED18-1/2-3	24"	1/2	1725	3890	74	55	1745	1759
20"	IED20-3/4	IED20-3/4-3	24"	3/4	1725	4574	77	65	2027	2027
24"	IED24-1	IED24-1-3	30"	1	1725	6632	81	155	2339	2213
30"	IED30-1	IED30-1-3	36"	1	1150	8600	79	185	4580	2650
36"	IED36-1 1/2	IED36-1 1/2-3	42"	1.5	1150	12103	82	260	5772	3547
42"	-----	IED42-2-3	48"	2	1150	17315	87	280	--	3802
48"	-----	IED48-3-3	54"	3	850	24280	86	360	--	5329

Note: Products listed in this section are custom built and subject to 100% cancellation/restocking charges.

Dimensions

SIZE	BLADE DIAMETER	PANEL SIZE	DEPTH DIMENSION
12"	12"	16"	11"
16"	16"	20"	11"
20"	20"	24"	13"
24"	24"	30"	15"
30"	30"	36"	15"
36"	36"	42"	18"
42"	42"	48"	18"
48"	48"	54"	20"

Note: Depth dimension varies with motor selection.

Industrial Belt Drive Exhaust Fans

Features

- Totally enclosed motors:
 - 1-Phase motors are field convertible 115V / 230V
 - 3-Phase motors are field convertible 230V / 460V
 - Motors are set to lower voltage at the factory, unless a request is made at time of order to set to the higher voltage
- 16 gauge steel venturi with steel pipe bracing
- Steel blades
- Double pillow block bearing shaft support
- 1 year limited warranty



Options

- CES Shutters
- EMF Front Guard
- IBG Rear Guards

Standard Models

BLADE SIZE	MFG MODEL NUMBER		PANEL SIZE (Sq.)	HP	RPM	CFM	db's @ 10'	WT. (LBS)	LIST	
	1-PHASE	3-PHASE							1 PH	3PH
	115/230V-60Hz	230/460v-60Hz								
24"	IE24-1/3	IE24-1/3-3	30"	1/3	825	5300	61	70	2253	2272
	IE24-1/2	IE24-1/2-3		1/2	925	6200	66	75	2328	2340
	IE24-3/4	IE24-3/4-3		3/4	1050	7000	71	82	2520	2366
	IE24-1	IE24-1-3		1	1175	7800	73	90	2547	2425
30"	IE30-1/3	IE30-1/3-3	36"	1/3	570	7500	62	95	2357	2375
	IE30-1/2	IE30-1/2-3		1/2	625	8500	64	95	2628	2450
	IE30-3/4	IE30-3/4-3		3/4	725	10000	66	105	2633	2484
	IE30-1	IE30-1-3		1	825	11000	70	115	2691	2569
36"	IE36-1/3	IE36-1/3-3	42"	1/3	425	9000	64	103	2594	2609
	IE36-1/2	IE36-1/2-3		1/2	500	10500	66	105	2673	2691
	IE36-3/4	IE36-3/4-3		3/4	575	11900	68	110	2869	2719
	IE36-1	IE36-1-3		1	650	13100	70	120	2893	2772
	IE36-1 1/2	IE36-1 1/2-3		1 1/2	750	15000	72	155	3307	3157
	IE36-2	IE36-2-3		2	830	16500	74	165	----	3221
42"	IE42-3/4	IE42-3/4-3	48"	3/4	430	14000	67	175	3244	3095
	IE42-1	IE42-1-3		1	490	15400	69	180	3267	3152
	IE42-1 1/2	IE42-1 1/2-3		1 1/2	550	17200	71	185	3422	3278
	IE42-2	IE42-2-3		2	620	19400	74	200	----	3738
	-----	IE42-3-3		3	700	22000	79	225	----	3866
48"	IE48-3/4	IE48-3/4-3	54"	3/4	350	17000	70	185	3549	3399
	IE48-1	IE48-1-3		1	400	19100	71	190	3574	3456
	IE48-1 1/2	IE48-1 1/2-3		1 1/2	460	22000	72	200	3722	3578
	IE48-2	IE48-2-3		2	520	24000	74	250	----	4165
	-----	IE48-3-3		3	590	27500	80	260	----	4293
	-----	IE48-5-3		5	660	30500	83	280	----	4326
60"	IE60-2	IE60-2-3	66"	2	320	31000	77	320	----	5795
	-----	IE60-3-3		3	370	35000	84	330	----	5922
	-----	IE60-5-3		5	420	39000	86	350	----	5973

Note: Products listed in this section are custom built and subject to 100% cancellation/restocking charges.

Dimensions

SIZE	BLADE DIAMETER	PANEL SIZE	DEPTH DIMENSION
24"	24"	30"	18"
30"	30"	36"	18"
36"	36"	42"	20"
42"	42"	48"	20"
48"	48"	54"	22"
60"	60"	66"	28"

Note: Depth dimension varies with motor selection.

Heavy Duty Direct Drive Exhaust Fans

Features

- Totally enclosed and explosion proof motors.
 - Explosion proof motors are Class 1, Div 1 Group D and Class 2, Div 1, Groups F & G
- Fans are shipped completely assembled
- Cast aluminum blades
- 14 gauge steel panel with welded steel pipe bracing
- 1 year limited warranty



Options

- CES Shutters
- EMF Front Guards
- IBG Rear Guards
- Acid Resistant Coating
- Reversed Air Flow
- Flat Front Venturi

Standard Models

BLADE SIZE	MFG MODEL NUMBER		PANEL SIZE (Sq.)	HP	RPM	CFM 0" SP	db's @ 10'	WT. (LBS)	LIST			
	1-PHASE	3-PHASE							TEC		EXP	
	115/230V-60Hz	230/460v-60Hz							1 PH	3 PH	1 PH	3 PH
12"	EHD12-1/4	EHD12-1/4-3	16"	1/4	1725	1180	74	35	1643	1633	2057	2127
16"	EHD16-1/4	EHD16-1/4-3	20"	1/4	1725	2800	75	45	2004	2016	2419	2489
18"	EHD18-1/3	EHD18-1/3-3	24"	1/3	1725	3375	75	60	2127	2144	2669	2814
	EHD18-1/2	EHD18-1/2-3		1/2	1725	4150	76	60	2218	2233	2855	2825
20"	EHD20-1/4	EHD20-1/4-3	24"	1/4	1725	3720	75	60	2033	2022	2453	2517
	EHD20-1/2	EHD20-1/2-3		1/2	1725	4800	76	65	2190	2209	2831	2802
24"	EHD20-1	EHD20-1-3	30"	1	1725	6900	77	70	2448	2330	3058	3111
	EHD24-1/4	EHD24-1/4-3		1/4	1725	5200	82	135	2156	2144	2574	2645
	EHD24-1/3	EHD24-1/3-3		1/3	1150	4975	75	145	2609	2645	3494	3543
	EHD24-1/2	EHD24-1/2-3		1/2	1725	6510	82	140	2388	2399	3024	2995
	EHD24-3/4	EHD24-3/4-3		3/4	1725	6900	83	145	2580	2434	3222	3065
	EHD24-1	EHD24-1-3		1	1725	7425	83	155	2650	2528	3263	3314
	EHD24-2	EHD24-2-3		2	1725	9525	83	165	3344	2744	---	3659
30"	-----	EHD24-3-3	36"	3	1725	10500	85	170	----	2982	----	3960
	EHD30-1/3	EHD30-1/3-3		1/3	1150	6950	79	145	2855	2890	3739	3793
	EHD30-1/2	EHD30-1/2-3		1/2	1725	8980	89	135	2657	2669	3292	3263
	EHD30-3/4	EHD30-3/4-3		3/4	1150	10440	79	175	3402	3036	3921	3804
	-----	EHD30-1-3		1	870	10640	74	215	----	3751	----	----
	EHD30-1 1/2	EHD30-1 1/2-3		1 1/2	1725	12000	89	165	3094	2942	4778	3850
	EHD30-2	EHD30-2-3		2	1150	14000	82	215	----	3508	----	4548
36"	-----	EHD30-3-3	42"	3	1725	16000	89	190	----	3152	----	4124
	EHD36-1	EHD36-1-3		1	1150	13600	84	225	4898	3914	5883	4643
	EHD36-2	EHD36-2-3		2	1150	17620	84	250	----	4030	----	5074
	-----	EHD36-3-3		3	1150	20500	85	255	----	4631	----	5859
	-----	EHD36-5-3		5	1725	28000	94	250	----	3885	----	4951
42"	-----	EHD42-1-3	48"	1	870	15800	82	300	----	4548	----	----
	EHD42-2	EHD42-2-3		2	1150	17964	88	260	----	4286	----	5330
	-----	EHD42-3-3		3	1150	24500	88	270	----	4817	----	6045
48"	-----	EHD42-5-3	54"	5	1150	28970	88	285	----	5008	----	6761
	-----	EHD48-3-3		3	1150	28600	92	290	----	5813	----	7042
	-----	EHD48-5-3		5	1150	32000	94	305	----	6087	----	7845
60"	-----	EHD60-3-3	66"	3	1150	40000	97	700	----	7217	----	8443
	-----	EHD60-5-3		5	1150	45000	97	730	----	7898	----	9657
	-----	EHD60-7 1/2-3		7 1/2	870	47000	92	740	----	10372	----	----
	-----	EHD60-10-3		10	870	57200	93	750	----	13900	----	----

Single Phase motors are field convertible 115V/230V. Three phase motors are field convertible 230V/460V. Motors are set to lower voltage at the factory, unless a request is made at time of order to set to the higher voltage. Note: Products listed in this section are custom built and subject to 100% cancellation/restocking charges.

Dimensions

SIZE	BLADE DIAMETER	PANEL SIZE	DEPTH DIMENSION
12"	12"	16"	11"
16"	16"	20"	11"
20"	20"	24"	13"
24"	24"	30"	15"
30"	30"	36"	15"
36"	36"	42"	18"
42"	42"	48"	18"
48"	48"	54"	20"
60"	60"	66"	22"

Note: Depth dimension varies with motor selection.

Heavy Duty Belt Drive Exhaust Fans

Features

- Totally enclosed and explosion proof motors
 - Explosion proof motors are Class 1, Div 1 Group D and Class 2, Div 1, Groups F & G
- Fans are shipped completely assembled
- Heavy gauge steel blades on TEC models
- Cast aluminum blades on EXP explosion proof models
- 14 gauge steel panel with welded steel pipe bracing
- 1 year limited warranty
- For optimum shutter efficiency, mount shutter 1/3 the distance of the fan opening size. Example: 36" fan shutter would be mounted 12" from the fan blade.



Options

- CES Shutters
- Acid Resistant Coating
- EMF Front Guards
- Reversed Air Flow
- IBG Rear Guards
- Flat Front Venturi

Standard Models

BLADE SIZE	MFG MODEL NUMBER		PANEL SIZE (Sq.)	HP	RPM	CFM 0" SP	db's @ 10"	WT. (LBS)	LIST			
	1-PHASE	3-PHASE							TEC		EXP	
	115/230V-60Hz	230/460v-60Hz							1 PH	3 PH	1 PH	3 PH
24"	EHB24-1/4	EHB24-1/4-3	30"	1/4	780	4900	60	100	2716	2704	3689	3759
	EHB24-1/2	EHB24-1/2-3		1/2	980	6219	66	130	2873	2884	4061	4026
	EHB24-3/4	EHB24-3/4-3		3/4	1140	7090	71	140	3071	2913	4265	4107
	EHB24-1	EHB24-1-3		1	1250	7180	73	140	3270	3146	4311	4369
30"	EHB30-1/4	EHB30-1/4-3	36"	1/4	540	7178	61	140	2896	2884	4056	4126
	EHB30-1/3	EHB30-1/3-3		1/3	595	7909	63	150	2948	2966	4231	4375
	EHB30-1/2	EHB30-1/2-3		1/2	640	8507	64	155	3024	3036	4423	4393
	EHB30-3/4	EHB30-3/4-3		3/4	770	10235	66	165	3286	3129	4690	4532
	EHB30-1	EHB30-1-3		1	975	10668	70	170	3454	3334	4730	4790
	EHB30-1 1/2	EHB30-1 1/2-3		1 1/2	1140	12473	77	180	3605	3444	5970	5034
36"	EHB36-1/3	EHB36-1/3-3	42"	1/3	460	9113	64	160	3426	3444	4604	4749
	EHB36-1/2	EHB36-1/2-3		1/2	530	10500	66	180	3509	3519	4899	4865
	EHB36-3/4	EHB36-3/4-3		3/4	605	11985	68	200	3734	3584	5126	4970
	EHB36-1	EHB36-1-3		1	665	13174	70	200	3759	3634	5133	5184
	EHB36-1 1/2	EHB36-1 1/2-3		1 1/2	720	13660	72	210	4236	4084	6506	5564
	EHB36-2	EHB36-2-3		2	870	16554	74	215	4679	4188	----	5768
42"	EHB42-1/3	EHB42-1/3-3	48"	1/3	335	10614	64	205	3565	3584	5034	5179
	EHB42-1/2	EHB42-1/2-3		1/2	390	12343	65	210	3641	3654	5208	5184
	EHB42-3/4	EHB42-3/4-3		3/4	435	14040	67	225	3881	3729	5512	5347
	EHB42-1	EHB42-1-3		1	490	15429	69	230	3932	3809	5516	5564
	EHB42-1 1/2	EHB42-1 1/2-3		1 1/2	550	17420	71	240	4090	3939	6774	5831
	EHB42-2	EHB42-2-3		2	725	20653	74	245	4848	4357	----	6089
	----	EHB42-3-3		3	830	23645	79	250	----	4499	----	6280
48"	EHB48-1/2	EHB48-1/2-3	54"	1/2	330	15230	69	190	4504	4515	6262	6233
	EHB48-3/4	EHB48-3/4-3		3/4	370	17339	70	195	4724	4574	6641	6483
	EHB48-1	EHB48-1-3		1	410	19188	71	235	4754	4631	6646	6705
	EHB48-1 1/2	EHB48-1 1/2-3		1 1/2	465	21731	72	245	4946	4795	7893	6949
	EHB48-2	EHB48-2-3		2	520	24274	74	250	5739	5249	----	7175
	----	EHB48-3-3		3	680	28150	80	270	----	5401	----	7387
	----	EHB48-5-3		5	800	33160	83	285	----	5464	----	7531
60"	EHB60-1	EHB60-1-3	66"	1	280	23090	76	380	6629	6506	8982	9041
	EHB60-1 1/2	EHB60-1 1/2-3		1 1/2	340	28068	77	390	6786	6636	10235	9296
	EHB60-2	EHB60-2-3		2	390	32200	78	395	7189	6699	----	9419
	----	EHB60-3-3		3	450	37183	84	410	----	7025	----	9727
	----	EHB60-5-3		5	540	44600	86	420	----	7079	----	9867

Single Phase motors are field convertible 115V/230V. Three phase motors are field convertible 230V/460V. Motors are set to lower voltage at the factory, unless a request is made at time of order to set to the higher voltage. Note: Products listed in this section are custom built and subject to 100% cancellation/restocking charges.

Dimensions

SIZE	BLADE DIAMETER	PANEL SIZE	DEPTH DIMENSION
24"	24"	30"	16"
30"	30"	36"	16"
36"	36"	42"	18"
42"	42"	48"	20"
48"	48"	54"	21"
60"	60"	66"	26"

Note: Depth dimension varies with motor selection.

Cabinet Exhaust Fans With Shutters

Features

- 120V, 1-Phase or 230 / 460V, 3-Phase, ball bearing, permanently lubricated, drip proof motor - UL listed
- Permanently lubricated bearings on blade drive shaft
- Aluminum blade
- Aluminum shutter
- 20 gauge powder coated venturi
- 18 gauge galvanized steel housing
- 1725 RPM motor
- Motor frame size 56 / Shaft: 5/8"
- Ships fully assembled
- Meets OSHA Standards
- 1 year warranty
- Made in U.S.A.



Standard Models

SIZE	MOTOR	AMPS		CFM	WT. (LBS)	115V 1-PHASE			230 / 460V 3-PHASE			
		HP	115V			230/460V	MFG CATALOG NUMBER	MFG MODEL NUMBER	LIST	MFG CATALOG NUMBER	MFG MODEL NUMBER	LIST
30	1/3	6	1.9 / .9	4500	120	08684002	CBT-30B	1809	08685302	CBT-30B-3	1941	
36	1/2	8	2.3 / 1.1	6900	135	08684102	CBT-36B	2042	08685402	CBT-36B-3	2210	
42	3/4	11	3.3 / 1.5	10600	155	08684202	CBT-42B	2511	08685502	CBT-42B-3	2710	
48	1	15	3.8 / 1.9	14400	200	08685102	CBT-48B	3112	08685002	CBT-48B-3	3314	

Dimensions

SIZE	OUTSIDE DIMENSIONS			MAXIMUM REQUIRED INSIDE WALL OPENING
	HEIGHT	WIDTH	DEPTH	
24"	28 1/4"	28 1/4"	22 1/2"	28 3/4" x 28 3/4"
30"	34 1/4"	34 1/4"	22 1/2"	34 1/2" x 34 1/2"
36"	40 1/4"	40 1/4"	18 1/2"	40 1/2" x 40 1/2"
42"	48 1/2"	48 1/2"	18 1/2"	48 3/4" x 48 3/4"
48"	54 1/2"	54 1/2"	21 1/2"	54 3/4" x 54 3/4"

Exhaust Fan Accessories - Heavy Duty Exhaust Shutter

Features

- Air open - Gravity close
- Aluminum construction
- Heavy duty blades
- Weather stripping for tighter seal
- For optimum shutter efficiency, mount shutter $\frac{1}{3}$ the distance of the fan opening size. Example: 36" fan shutter would be mounted 12" from the fan blade.
- Shutter should be sized to fit exhaust opening



Standard Models

FAN SIZE	MFG MODEL NUMBER	INSIDE FRAME DIMENSIONS	OUTSIDE FRAME DIMENSIONS	WT. (LBS)	LIST
12"	CES 12	12" x 12"	14" x 15"	4	149
16"	CES 16	16" x 16"	19" x 19"	7	179
18"	CES 18	18" x 18"	21" x 21"	8	205
20"	CES 20	20" x 20"	23" x 23"	9	210
24"	CES 24	24" x 24"	27" x 27"	11	255
30"	CES 30	30" x 30"	33" x 33"	15	313
36"	CES 36	36" x 36"	39" x 39"	19	547
42"	CES 42	42" x 42"	45" x 45"	23	695
48"	CES 48	48" x 48"	51" x 51"	28	801
54"	CES 54	54" x 54"	57" x 57"	39	905
60"	CES 60	60" x 60"	63" x 63"	47	1112

Heavy Duty Shutter Motor Kit Features



- Used to open shutter when shutter is used to provide make-up air (Shutter should be one size larger than exhaust fan size and should be located on opposite wall)
- Used for positive closure of exhaust shutter
- 115V or 230V, 60 HZ, 1-Phase

Standard Models

MFG CATALOG NUMBER	MFG MODEL NUMBER	DESCRIPTION	WT. (LBS)	LIST
07971002	MK-1	For shutter sizes 12" thru 30" (Single Panel)	5	414
07971102	MK-2	For shutter sizes 36" thru 60" (Double Panel)	8	547

Motorized Supply Air Intake Shutter

Features

- Inward opening blades for use with intake fans when shutter is located directly in air stream
- Galvanized construction
- 115V or 230V, 60 HZ, 1-Phase

Standard Models

FAN SIZE	MFG MODEL NUMBER	ROUGH OPENING	OVERALL SIZE	WT. (LBS)	LIST
24"	CESM-24	24" x 24"	27" x 27"	15	1056
30"	CESM-30	30" x 30"	33" x 33"	18	1233
36"	CESM-36	36" x 36"	39" x 39"	21	1348
42"	CESM-42	42" x 42"	45" x 45"	35	2201
48"	CESM-48	48" x 48"	51" x 51"	42	3109
60"	CESM-60	60" x 60"	63" x 63"	56	3666



Rear Box Guard Bolt Together With Wire Guards



Features

- For IE, IED, EHB and EHD models
- ¼" Smaller than the panel size of the fan
- Meets OSHA requirements

Standard Models

MFG MODEL NUMBER	FITS FAN SIZE	LIST
IBG-24	24"	916
IBG-30	30"	965
IBG-36	36"	1161
IBG-42	42"	1218
IBG-48	48"	1492
IBG-60	60"	2302

Rear Expanded Metal Box Guard



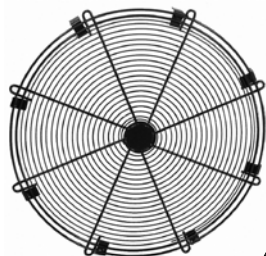
Features

- For IE, IED, EHB and EHD models
- ¼" Smaller than the panel size of the fan
- Meets OSHA requirements

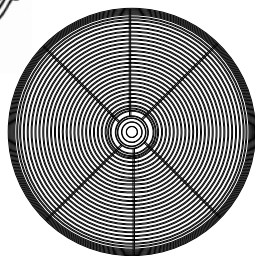
Standard Models

MFG MODEL NUMBER	FITS FAN SIZE	LIST
IBG-12	12"	562
IBG-16	16"	562
IBG-18	18"	622
IBG-20	20"	622

Spiral Front and Rear Guards



Spiral Front



Spiral Rear

Features

- For EHD models only
- Fits between motor and blade
- Rear guard installed at factory only
- Meets OSHA requirements

Standard Models

MFG MODEL NUMBER	TYPE	FITS FAN SIZE	LIST
SF-12	SPIRAL FRONT	12"	309
SF-16		16"	330
SF-18		18"	365
SF-20		20"	376
SF-24		24"	404
SR-12	SPIRAL REAR	12"	319
SR-16		16"	340
SR-18		18"	376
SR-20		20"	388
SR-24		24"	417

Expanded Metal Front Guard



Expanded metal guard
60"

Features

- For EHB, EHD, IE, & IED models
- 1" Larger than blade size
- Meets OSHA requirements

Standard Models

MFG MODEL NUMBER	FITS FAN SIZE	LIST
EMF-12	12"	368
EMF-16	16"	382
EMF-20	20"	403
EMF-24	24"	424
EMF-30	30"	536
EMF-36	36"	663
EMF-42	42"	698
EMF-48	48"	762
EMF-60	60"	1148

Cabinet Exhaust Fan Package Option

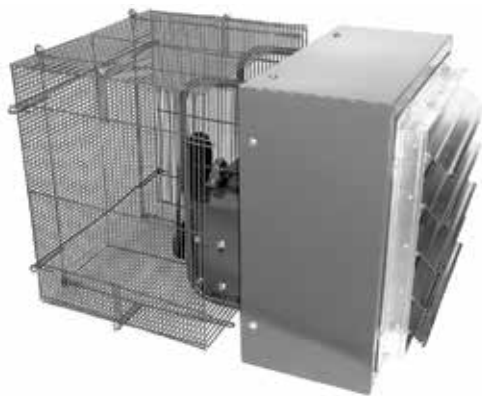
With Bolt Together Rear Guard

Package Includes

- Wall collar
- Automatic shutter
- Rear box guard

Standard Models

MFG MODEL NUMBER	FAN SIZE	LIST
CEFP-24	24"	1636
CEFP-30	30"	1846
CEFP-36	36"	2293
CEFP-42	42"	2637
CEFP-48	48"	3145



Features

- For IE, IED, EHB and EHD models.
- Wall collar OD is 1/4" larger than fan panel size.
- Meets OSHA requirements

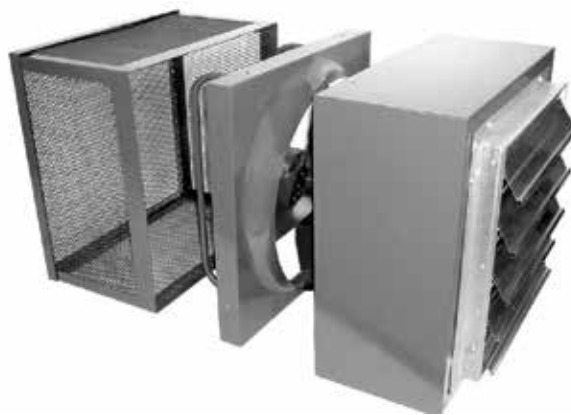
With Expanded Metal Rear Guard

Package Includes

- Wall collar
- Automatic shutter
- Rear box guard

Standard Models

MFG MODEL NUMBER	FAN SIZE	LIST
CEFP-12	12"	1024
CEFP-16	16"	1093
CEFP-18	18"	1234
CEFP-20	20"	1280
CEFP-60	60"	4724



Features

- For IE, IED, EHB and EHD models.
- Wall collar OD is 1/4" larger than fan panel size.
- Meets OSHA requirements

Exterior Weather Hood Option

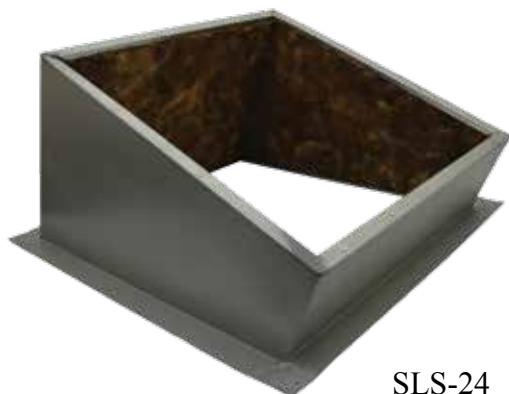
Features

- For IE, IED, EHB and EHD models.
- Galvanized housing with 1/2 - 16 expanded metal bird screen
- Can be used for intake or exhaust
- Meets OSHA requirements

Standard Models

MFG MODEL NUMBER	FAN SIZE	LIST
WH-12	12"	1028
WH-16	16"	1074
WH-18	18"	1095
WH-20	20"	1113
WH-24	24"	1585
WH-30	30"	1650
WH-36	36"	2046
WH-42	42"	2127
WH-48	48"	2461
WH-60	60"	3289





SLS-24

Features

- Used with UEB, UED, and RE roof ventilators
- For flat, single slope or ridge style roofs
- Galvanized steel construction
- 1 1/2" insulated thickness, 3 pounds density
- 8" height overall
- Not for corrugated roofs

Standard Models

FAN	MFG MODEL NUMBER			BASE DIMENSION	OVERALL DIMENSION	LIST		
	FLAT	SLOPE	RIDGE			FLAT	SLOPE	RIDGE
18"	FLS-18	SLS-18	RDS-18	32" x 32"	44" x 44"	489	944	1113
24"	FLS-24	SLS-24	RDS-24	38" x 38"	50" x 50"	566	1081	1268
30"	FLS-30	SLS-30	RDS-30	44" x 44"	56" x 56"	639	1212	1432
36"	FLS-36	SLS-36	RDS-36	50" x 50"	62" x 62"	698	1328	1530
42"	FLS-42	SLS-42	RDS-42	56" x 56"	68" x 68"	769	1458	1725
48"	FLS-48	SLS-48	RDS-48	62" x 62"	74" x 74"	1036	1959	2322
54"	FLS-54	SLS-54	RDS-54	68" x 68"	80" x 80"	1120	2128	2519
60"	FLS-60	SLS-60	RDS-60	74" x 74"	86" x 86"	1224	2316	2740

Back Draft Dampers to Fit in Curb

UEB and UED models require higher curb height when used with back draft damper; consult factory.

FAN SIZE	MFG MODEL NUMBER	SHUTTER SIZE	LIST
18"	CD-18	28" x 28"	649
24"	CD-24	34" x 34"	757
30"	CD-30	40" x 40"	1043
36"	CD-36	46" x 46"	1290
42"	CD-42	52" x 52"	1424
48"	CD-48	58" x 58"	1728
54"	CD-54	64" x 64"	2167
60"	CD-60	70" x 70"	2356

Motor Kit for Dampers

115V or 230V, 60Hz, 1-Phase. (Specify Voltage)

MFG MODEL NUMBER	DESCRIPTION	WT. (LBS)	LIST
DMKP1	For shutter sizes 18" thru 36"	5	592
DMKP2	For shutter sizes 42" thru 60"	8	705

Belt Drive Hooded Roof Ventilators

Features

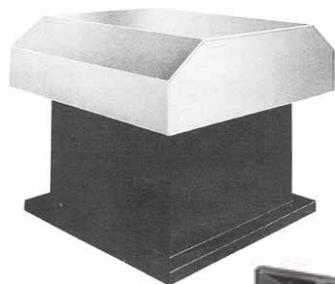
- Used for exhaust or intake
- Heavy industrial steel base with aluminum hood
- Steel blades
- Bird screen included
- No back draft protection in standard construction. Dampers offered as optional accessory.
- 1 year limited warranty

Options

- Direct drive
- Protective coatings, explosion proof.
- Roof curb
- Filters

Dimensions

SIZE	MINIMUM ROOF HOLE (SQUARE)	HOLE LENGTH x WIDTH	HOOD HEIGHT	ROOF CURB O.D. (SQUARE)
24"	30"	54" x 64"	30"	39"
30"	36"	60" x 76"	36"	45"
36"	42"	72" x 82"	40"	51"
42"	48"	80" x 89"	43"	57"
48"	54"	87" x 95"	46"	63"
54"	60"	92" x 98"	54"	69"
60"	66"	90" x 107"	56"	75"



CLOSED



OPEN

Standard Models

BLADE SIZE	1-PHASE 115/230V	3-PHASE 230/460v	HP	RPM	C.F.M. - STATIC PRESSURE				Db's @ 10'	WT. (LBS)	LIST			
					MFG MODEL NUMBER						EXHAUST		INTAKE	
					0"	1/8"	1/4"	1/2"			1 PH	3 PH	1 PH	3 PH
24"	RE24-1/4	RE24-1/4-3	1/4	780	4900	4222	2807	800	60	340	6227	6201	6227	6201
	RE24-1/2	RE24-1/2-3	1/2	980	6219	5716	5061	2600	66	350	6452	6386	6452	6386
	RE24-3/4	RE24-3/4-3	3/4	1140	7090	6648	6144	4413	71	360	6591	6486	6591	6486
	RE24-1	RE24-1-3	1	1250	7180	6696	6271	4464	73	365	6949	6751	6949	6751
30"	RE30-1/3	RE30-1/3-3	1/3	595	7909	6380	3617	767	60	385	7228	7188	7228	7188
	RE30-1/2	RE30-1/2-3	1/2	640	8507	7170	4486	1373	64	385	7339	7273	7339	7273
	RE30-3/4	RE30-3/4-3	3/4	770	10235	9192	7657	3833	66	400	7591	7486	7591	7486
	RE30-1	RE30-1-3	1	975	10668	9959	8626	5184	70	400	7844	7644	7844	7644
36"	RE30-1 1/2	RE30-1 1/2-3	1.5	1140	12473	11867	11112	8135	77	410	8002	7704	8002	7704
	RE36-1/3	RE36-1/3-3	1/3	460	9113	6992	3722	486	64	425	8758	8717	8758	8717
	RE36-1/2	RE36-1/2-3	1/2	530	10500	8821	5985	2084	66	425	8864	8797	8864	8797
	RE36-3/4	RE36-3/4-3	3/4	605	11985	10583	8563	4017	68	435	9042	8937	9042	8937
	RE36-1	RE36-1-3	1	665	13174	11932	10299	5729	70	440	9247	9048	9247	9048
	RE36-1 1/2	RE36-1 1/2-3	1.5	720	13660	12012	9579	5000	72	440	9610	9280	9610	9280
42"	RE36-2	RE36-2-3	2	870	16554	15376	14088	9691	74	455	10326	9765	10326	9765
	RE42-1/2	RE42-1/2-3	1/2	390	12343	9352	4957	1642	65	540	9824	9756	9824	9756
	RE42-3/4	RE42-3/4-3	3/4	435	14040	11530	7633	3311	67	545	10168	10063	10168	10063
	RE42-1	RE42-1-3	1	490	15429	13194	10438	4668	69	555	10373	10175	10373	10175
	RE42-1 1/2	RE42-1 1/2-3	1.5	550	17420	15421	13117	7289	71	560	10446	10248	10579	10248
	RE42-2	RE42-2-3	2	725	20653	19128	17503	11319	74	570	11222	10664	11222	10664
48"	-----	RE42-3-3	3	830	23645	22296	20984	17290	79	585	-----	10798	-----	10798
	RE48-3/4	RE48-3/4-3	3/4	370	17339	13700	7389	2244	70	650	11924	11818	11924	11818
	RE48-1	RE48-1-3	1	410	19188	16078	10903	4037	71	660	12135	11936	12135	11936
	RE48-1 1/2	RE48-1 1/2-3	1.5	465	21731	19010	14991	7081	72	665	12320	11991	12320	11991
	RE48-2	RE48-2-3	2	520	24274	21943	19080	10125	74	680	13029	12467	13029	12467
	-----	RE48-3-3	3	680	28150	25683	23615	16930	80	700	-----	12624	-----	12624
54"	-----	RE48-5-3	5	800	33160	30900	29290	25000	83	720	-----	12724	-----	12724
	RE54-1	RE54-1-3	1	410	23130	20588	17500	9600	73	910	14440	14240	14440	14240
	RE54-1 1/2	RE54-1 1/2-3	1.5	450	25400	22600	19300	10316	75	920	14731	14400	14731	14400
	RE54-2	RE54-2-3	2	480	27200	24312	20660	11010	76	930	15102	14539	15102	14539
	-----	RE54-3-3	3	550	31213	28722	25830	15420	77	940	-----	14804	-----	14804
60"	-----	RE54-5-3	5	660	37458	35238	32893	26538	80	960	-----	14916	-----	14916
	RE60-1	RE60-1-3	1	250	23090	19161	12850	-----	76	1150	15195	14996	15195	14996
	RE60-1 1/2	RE60-1 1/2-3	1.5	340	28068	23283	15624	8000	77	1150	15778	15446	15778	15446
	RE60-2	RE60-2-3	2	390	32200	26710	17924	9380	78	1200	16122	15560	16122	15560
	-----	RE60-3-3	3	450	37183	32356	25324	15013	84	1220	-----	15831	-----	15831
60"	-----	RE60-5-3	5	540	44600	41232	35819	23237	86	1240	-----	15930	-----	15930
	-----	RE60-7 1/2-3	7.5	620	50184	47603	43981	32880	89	1285	-----	16493	-----	16493

Note: Products listed in this section are custom built and subject to 100% cancellation/restocking charges.

Direct Drive Roof Ventilators



Features

- Cast Aluminum blades on most models
- Totally enclosed and explosion proof motors
- 1-Phase motors are field convertible 115V/230V
- 3-Phase motors are field convertible 230V/460V
- Motors are set to lower voltage at the factory unless a request is made at time of order to set them to the higher voltage
- Explosion proof motors are Class 1, Div 1, Group D and Class 2, Div 1, Groups F & G
- Wind band is 18 gauge galvanized steel
- Rubber shim under dampers for better seal
- Size of roof opening to be 6" larger than fan size
- Some models available with low R.P.M. motor for quieter operation
- 1 year limited warranty

Options

- Protective coating.
- Disconnect switch
- Prefabricated curbs

Standard Models

BLADE SIZE	1-PHASE 115/230V	3-PHASE 230/460v	HP	RPM	C.F.M. - STATIC PRESSURE				Db's @ 10'	WT. (LBS)	LIST			
					MFG MODEL NUMBER						TEC		EXP	
	0"	1/8"	1/4"	1/2"	1 PH	3 PH	1 PH	3 PH						
18"	UED18-1/4	UED18-1/4-3	1/4	1140	2570	2263	1673	854	66	170	4638	4656	4951	5220
	UED18-1/3	UED18-1/3-3	1/3	1725	3375	3000	2600	1400	75	175	4290	4283	4958	5102
	UED18-1/2	UED18-1/2-3	1/2	1725	4133	3938	3724	3132	76	180	4407	4388	5081	5206
	UED18-1	UED18-1-3	1	1725	4600	4375	4080	3000	77	190	4912	4806	5599	5651
24"	UED24-1/4	UED24-1/4-3	1/4	1725	5200	4200	2820	----	75	240	4799	4821	5115	5383
	UED24-3/4	UED24-3/4-3	3/4	1140	6900	6450	6265	3300	76	260	5810	5573	6476	6424
	UED24-1	UED24-1-3	1	1725	7425	7000	6350	5000	83	280	5239	5147	5932	5997
	-----	UED24-3-3	3	1725	10500	9800	9500	8700	85	295	-----	5527	-----	6568
30"	UED30-3/4	UED30-3/4-3	3/4	1140	10440	9750	8750	6000	79	310	6083	5683	6751	6706
	-----	UED30-1-3	1	870	10800	10100	9100	6360	74	330	-----	6607	-----	-----
	UED30-1 1/2	UED30-1 1/2-3	1.5	1140	10410	9686	8834	6420	81	325	8413	6228	-----	7092
	UED30-2	UED30-2-3	2	1140	14000	13750	12900	10450	82	335	10142	6378	-----	7301
	-----	UED30-3-3	3	1725	16000	15350	14700	12900	89	335	-----	5822	-----	6870
36"	UED36-2	UED36-2-3	2	1140	17620	16500	15200	12300	84	430	11281	7557	-----	8479
	-----	UED36-3-3	3	1140	20500	19500	18500	15850	85	455	-----	8014	-----	9528
	-----	UED36-5-3	5	1140	22600	21700	20500	19000	87	465	-----	8552	-----	10260
42"	UED42-2	UED42-2-3	2	1140	17964	17277	15326	12351	88	500	12047	8340	-----	9259
	-----	UED42-5-3	5	1140	28970	27960	26840	24200	89	500	-----	9297	-----	11001
48"	-----	UED48-3-3	3	1140	28600	26500	24400	20000	92	550	-----	10037	-----	11052
	-----	UED48-5-3	5	870	33000	31500	29750	25300	86	665	-----	11981	-----	-----
	-----	UED48-7 1/2-3	7.5	1140	37000	35100	32800	28000	94	740	-----	12035	-----	14208
	-----	UED48-10-3	10	1140	41000	39200	38300	35400	95	875	-----	12669	-----	14981
60"	-----	UED60-5-3	5	870	45200	41500	37000	26000	90	940	-----	15832	-----	-----
	-----	UED60-7 1/2-3	7.5	870	47000	45500	43600	38700	92	950	-----	16937	-----	-----
	-----	UED60-10-3	10	690	54000	51900	49000	43200	87	960	-----	28637	-----	-----

Note: Products listed in this section are custom built and subject to 100% cancellation/restocking charges.

Dimensions

SIZE	MINIMUM ROOF HOLE SIZE (SQUARE)	WIND BAND OUTER DIMENSION	ROOF CURB OUTER DIMENSION (SQUARE)	WIND BAND HEIGHT
18"	28"	24"	33"	16"
24"	34"	30"	39"	19"
30"	40"	36"	45"	22"
36"	46"	42"	51"	25"
42"	52"	48"	57"	27"
48"	58"	54"	63"	30"
60"	70"	66"	75"	42"

Belt Drive Roof Ventilators



Features

- Standard blades are heavy gauge steel
- Totally enclosed motors.
- 1-Phase motors are field convertible 115V/230V
- 3-Phase motors are field convertible 230V/460V
- Motors are set to lower voltage at factory unless a request is made at time of order to set them to the higher voltage
- Wind band is 18 gauge galvanized steel
- Galvanized steel butterfly damper with rubber stops and seals
- Size of the roof opening to be 6" larger than fan size (Wind Band O.D.) dimension
- 1 year limited warranty.

Options

- Protective coating.
- Disconnect switch
- Prefabricated curbs

Standard Models

BLADE SIZE	1-PHASE 115/230V	3-PHASE 230/460v	HP	RPM	C.F.M - STATIC PRESSURE				Db's @ 10'	WT. (LBS)	LIST	
					MFG MODEL NUMBER						TEC	
					0"	1/8"	1/4"	1/2"			1 PH	3 PH
24"	UEB24-1/3	UEB24-1/3-3	1/3	780	4900	4222	2807	800	64	300	5213	5206
	UEB24-1/2	UEB24-1/2-3	1/2	980	6219	5716	5661	2600	66	305	5370	5350
	UEB24-3/4	UEB24-3/4-3	3/4	1140	7090	6648	6144	4413	71	310	5552	5455
30"	UEB30-1/2	UEB30-1/2-3	1/2	640	8507	7170	4486	1373	64	350	5619	5599
	UEB30-3/4	UEB30-3/4-3	3/4	770	10235	9192	7657	3833	66	360	5920	5815
	UEB30-1	UEB30-1-3	1	975	10668	9959	8626	5184	70	370	6306	6246
36"	UEB36-1/2	UEB36-1/2-3	1/2	530	10500	8821	5985	2084	66	360	6640	6620
	UEB36-3/4	UEB36-3/4-3	3/4	605	11985	10583	8563	4017	68	370	7013	6909
	UEB36-1	UEB36-1-3	1	665	13174	11932	10299	5729	70	390	7274	7248
	UEB36-1 1/2	UEB36-1 1/2-3	1.5	720	13660	12012	9579	5000	72	395	7575	7452
42"	UEB42-3/4	UEB42-3/4-3	3/4	435	14040	11530	7633	3311	67	455	7642	7537
	UEB42-1	UEB42-1-3	1	490	15429	13194	10438	4668	69	465	7963	7950
	UEB42-1 1/2	UEB42-1 1/2-3	1.5	550	17420	15421	13117	7289	71	470	8434	8310
	UEB42-2	UEB42-2-3	2	725	20653	19128	17503	11319	74	485	9036	8703
	UEB42-3-3	3	830	23645	22296	20984	17290	79	495	----	8827	
48"	UEB48-3/4	UEB48-3/4-3	3/4	370	17339	13700	7389	2244	70	505	8839	8741
	UEB48-1	UEB48-1-3	1	410	19188	16078	10903	4037	71	520	9107	9043
	UEB48-1 1/2	UEB48-1 1/2-3	1.5	465	21731	19010	14991	7081	72	535	9265	9166
	UEB48-2	UEB48-2-3	2	520	24274	21943	19080	10125	74	545	10131	9822
	UEB48-3	UEB48-3-3	3	680	28150	25683	23615	16930	80	560	----	9986
54"	UEB54-1	UEB54-1-3	1	410	23130	20588	17500	9600	73	870	12363	12257
	UEB54-1 1/2	UEB54-1 1/2-3	1.5	450	25400	22600	19300	10316	75	880	12644	12533
	UEB54-2	UEB54-2-3	2	480	27200	24312	20660	11010	76	890	12997	12709
	UEB54-3	UEB54-3-3	3	550	31213	28722	25830	15420	80	900	----	13161
	UEB54-5	UEB54-5-3	5	660	37458	35238	32843	26538	82	920	----	13305
60"	UEB60-1 1/2	UEB60-1 1/2-3	1.5	340	28068	23203	15624	8000	78	940	13455	13344
	UEB60-2	UEB60-2-3	2	390	32200	26710	17924	9380	80	960	13750	13468
	UEB60-3	UEB60-3-3	3	450	37183	32356	25324	15013	84	985	----	14168
	UEB60-5	UEB60-5-3	5	540	44600	41232	35819	23237	86	1000	----	14300

Note: Products listed in this section are custom built and subject to 100% cancellation/restocking charges.

Dimensions

SIZE	MINIMUM ROOF HOLE SIZE (SQUARE)	WIND BAND OUTER DIMENSION	ROOF CURB OUTER DIMENSION (SQUARE)	WIND BAND HEIGHT
24"	34"	30"	39"	19"
30"	40"	36"	45"	22"
36"	46"	42"	51"	25"
42"	52"	48"	57"	27"
48"	58"	54"	63"	30"
54"	64"	60"	69"	36"
60"	70"	66"	75"	42"

Tubeaxial Direct Drive Duct Fans



Features

- Totally enclosed and explosion proof motors
- 1-Phase motors are field convertible 115V/230V
- 3-Phase motors are field convertible 230V/460V
- Motors are set to lower voltage at the factory unless a request is made at time of order to set them to the higher voltage
- Explosion proof motors are Class 1, Div 1, Group D and Class 2, Div 1, Groups F & G
- 14 gauge steel drum including mounting flanges
- Fan can be mounted to operate in any position
- Rugged cast aluminum blade, non-sparking
- 1 year limited warranty

Dimensions

SIZE	HOUSING INNER DIM.	HOUSING OUTER DIM.	BOLT HOLE CENTERS	HOUSING DEPTH
12"	12"	14"	13 1/8"	14"
18"	18"	20"	19 1/8"	14"
24"	24"	27"	25 3/4 "	18"
27"	27"	30"	28 3/4"	18"
30"	30"	33"	31 3/4"	18"
34"	34"	37"	35 3/4"	18"
42"	42"	45"	43 9/16"	18"
48"	48"	51"	49 5/8"	18"

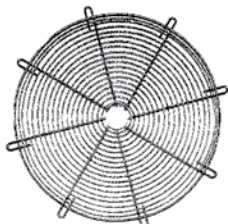
Options

- Companion flanges
- Protective coating
- Fan guards
- Access doors

Standard Models

BLADE SIZE	1-PHASE 115/230V	3-PHASE 230/460v	HP	RPM	BLADES	C.F.M - STATIC PRESSURE				Db's @ 10'	WT. (LBS)	LIST			
						MFG MODEL NUMBER						TEC		EXP	
						0"	1/4"	1/2"	3/4"			1 PH	3 PH	1 PH	3 PH
12"	TXD12-1/4	TXD12-1/4-3	1/4	1725	4	1180	520	----	----	77	40	1659	1643	2064	2133
	TXD12-1/2	TXD12-1/2-3	1/2	3450	4	1875	1400	1250	1100	82	45	1706	1701	2306	2565
	TXD12-3/4	TXD12-3/4-3	3/4	3450	6	2044	1920	1650	1500	83	45	1770	1770	2461	2651
18"	TXD18-1/4	TXD18-1/4-3	1/4	1725	4	3450	2500	----	----	74	55	1960	1943	2362	2431
	TXD18-1/3	TXD18-1/3-3	1/3	1725	6	3375	2600	1400	----	75	65	2057	2075	2581	2726
	TXD18-1/2	TXD18-1/2-3	1/2	1725	6	4150	3150	1700	----	77	65	2138	2149	2761	2698
	TXD18-1	TXD18-1-3	1	1725	6	4600	4080	3000	2100	80	70	2410	2292	3008	3059
24"	TXD24-1/4	TXD24-1/4-3	1/4	1725	2	5200	2820	----	----	80	95	2149	2138	2554	2569
	TXD24-1/3	TXD24-1/3-3	1/3	1140	6	4975	4250	2850	----	74	110	2587	2628	3456	3510
	TXD24-1/2	TXD24-1/2-3	1/2	1725	4	6510	5200	3100	1800	80	115	2376	2386	2997	2933
	TXD24-3/4	TXD24-3/4-3	3/4	1140	6	6900	6265	3300	----	74	125	3209	2853	3717	3600
	TXD24-1	TXD24-1-3	1	1725	6	7425	6350	5000	3300	82	120	2633	2513	3233	3285
	TXD24-2	TXD24-2-3	2	1725	6	9525	8810	7980	6960	84	120	3187	2714	4441	3605
27"	-----	TXD24-3-3	3	1725	6	10500	9500	8700	7800	86	130	-----	2950	-----	3901
	TXD27-1/2	TXD27-1/2-3	1/2	1725	4	7550	6000	4000	2000	86	125	2594	2599	3209	3145
	TXD27-1	TXD27-1-3	1	1725	4	9600	8400	7050	4800	86	155	2811	2698	3411	3463
	TXD27-2	TXD27-2-3	2	1725	6	11500	10700	9300	8000	86	165	3428	2956	4683	3849
30"	TXD30-1/2	TXD30-1/2-3	1/2	1725	4	8980	6300	4350	2300	86	130	2698	2709	3319	3256
	TXD30-3/4	TXD30-3/4-3	3/4	1140	6	10440	8750	6000	----	80	150	3625	3267	4136	4032
	TXD30-2	TXD30-2-3	2	1725	6	12000	10450	8700	6000	89	155	3526	3053	4782	3946
	-----	TXD30-3-3	3	1725	6	16000	14700	12900	10200	89	175	-----	3192	-----	4148
34"	TXD34-1 1/2	TXD34-1 1/2-3	1.5	1725	4	13350	10000	7300	----	88	175	3625	3475	5271	4362
	TXD34-2	TXD34-2-3	2	1725	4	14850	12100	8800	4000	89	200	4015	3544	5271	4437
	-----	TXD34-3-3	3	1140	3	19300	17230	14800	11614	86	250	-----	4590	-----	5795
	-----	TXD34-5-3	5	1725	6	21000	18900	17500	14850	91	220	-----	3773	-----	4823
36"	TXD36-2	TXD36-2-3	2	1140	6	17620	15200	12300	8500	84	210	-----	3935	-----	4961
	-----	TXD36-3-3	3	1725	4	18500	15700	13900	11500	89	230	-----	4379	-----	5582
	-----	TXD42-1-3	1	870	4	15800	13480	5800	900	81	270	-----	4758	-----	-----
42"	TXD42-2	TXD42-2-3	2	1140	4	17964	15326	12351	7600	87	260	-----	4483	-----	5501
	-----	TXD42-3-3	3	1140	4	24500	23000	19650	14000	87	260	-----	5022	-----	6227
	-----	TXD42-5-3	5	1140	4	28970	26840	24200	19500	87	300	-----	5208	-----	6930
48"	-----	TXD48-3-3	3	1140	4	28600	24400	20000	15900	94	290	-----	6262	-----	7465
	-----	TXD48-5-3	5	870	4	33000	29750	25300	18000	86	500	-----	7961	-----	-----

Duct Fan Guards



Features

- Enamel finish
- Can be used as front or rear guards. (Rear guard for TXD models must be ordered with fan)

Standard Models

FAN SIZE	MFG MODEL	LIST	FAN SIZE	MFG MODEL	LIST
12"	TXG-12	146	30"	TXG-30	199
15"	TXG-15	146	34"	TXG-34	254
18"	TXG-18	146	36"	TXG-36	262
24"	TXG-24	159	42"	TXG-42	288
27"	TXG-27	199	48"	TXG-48	376

Note: Products listed in this section are custom built and subject to 100% cancellation/restocking charges.

Tubeaxial Belt Drive Duct Fans



Features

- Eliminates fumes and vapors from paint spray booths and other hazardous areas
- Totally enclosed and explosion proof motors
- 1-Phase motors are field convertible 115V/230V
- 3-Phase motors are field convertible 230V/460V
- Motors are set to lower voltage at the factory unless a request is made at time of order to set them to the higher voltage
- Explosion proof motors are Class 1, Div 1, Group D and Class 2, Div 1, Groups F & G
- Recommended for most paint spray applications because motor is out of air
- 14 gauge steel drum including mounting flanges at each end
- Completely enclosed belt and ball bearing housing
- Adjustable motor base for proper belt tension
- Rugged cast aluminum blade, non-sparking
- Fan can be mounted to operate in any position
- 1 year limited warranty

Options

- Companion flanges
- Protective coating
- Access doors
- Belt guards
- Motor covers
- Fan guards

Standard Models

BLADE SIZE	1-PHASE 115/230V-60Hz	3-PHASE 230/460v-60Hz	HP	RPM	BLADES	C.F.M. - STATIC PRESSURE				Db's @10'	WT (LBS)	LIST			
						MFG MODEL NUMBER						TEC		EXP	
						0"	1/4"	1/2"	3/4"			1 PH	3 PH	1 PH	3 PH
12"	TXB12-1/4	TXB12-1/4-3	1/4	2625	4	1444	1033	380	----	77	62	2238	2225	2658	2727
	TXB12-1/3	TXB12-1/3-3	1/3	2875	4	1586	1135	415	----	78	65	2283	2307	2831	2975
	TXB12-1/2	TXB12-1/2-3	1/2	3450	4	1875	1400	1250	1100	83	65	2283	2283	2813	3050
	TXB12-3/4	TXB12-3/4-3	3/4	3450	6	2044	1920	1650	1500	83	67	2485	2485	3004	3222
15"	TXB15-1/4	TXB15-1/4-3	1/4	2000	6	2600	1700	----	----	77	67	2462	2451	2882	2951
	TXB15-1/3	TXB15-1/3-3	1/3	2200	6	2950	2100	1000	----	78	69	2536	2555	3079	3222
	TXB15-1/2	TXB15-1/2-3	1/2	1890	6	3350	2650	1500	----	76	75	2612	2623	3257	3188
	TXB15-3/4	TXB15-3/4-3	3/4	2200	6	3900	3400	2700	1150	78	85	2842	2692	3487	3326
18"	TXB18-1/4	TXB18-1/4-3	1/4	1600	6	3050	2000	----	----	76	80	2600	2589	3020	3089
	TXB18-1/3	TXB18-1/3-3	1/3	1725	6	3375	2600	1400	----	77	85	2629	2669	3193	3338
	TXB18-1/2	TXB18-1/2-3	1/2	1890	6	3850	3100	2000	----	78	95	2727	2739	3372	3303
	TXB18-1	TXB18-1-3	1	1725	6	4600	4080	3000	2100	77	105	3112	2968	3705	3764
24"	TXB18-1 1/2	TXB18-1 1/2-3	1.5	1990	6	5350	4830	3950	3000	80	105	3257	3106	4958	4024
	TXB24-1/2	TXB24-1/2-3	1/2	1298	6	5643	4826	3500	----	78	120	2957	2968	3601	3532
	TXB24-3/4	TXB24-3/4-3	3/4	1600	6	6906	5900	4650	2750	80	130	3229	3079	3873	3712
	TXB24-1	TXB24-1-3	1	1725	6	7425	6350	5000	3300	84	140	3257	3130	3873	3931
	TXB24-1 1/2	TXB24-1 1/2-3	1.5	1540	6	8200	7650	6850	5500	81	145	3959	3809	5653	4725
	TXB24-2	TXB24-2-3	2	1600	6	9760	8830	8090	7000	82	170	4502	4017	5790	4933
27"	-----	TXB24-3-3	3	1725	6	10500	9500	8700	7800	86	190	-----	4144	-----	5130
	TXB27-3/4	TXB27-3/4-3	3/4	1250	6	8330	7550	6500	4650	78	150	3954	3798	4593	4438
	TXB27-1	TXB27-1-3	1	1400	6	9400	8480	7300	5200	82	155	3978	3855	4593	4646
	TXB27-1 1/2	TXB27-1 1/2-3	1.5	1600	6	10700	9700	8375	6000	84	170	4157	4005	5849	4915
30"	TXB27-2	TXB27-2-3	2	1350	6	11500	10700	9300	8000	81	210	4634	4149	5930	5072
	TXB30-1/2	TXB30-1/2-3	1/2	1140	4	8900	6660	2300	----	79	140	3739	3759	4385	4323
	TXB30-1	TXB30-1-3	1	1298	6	9867	7980	4120	----	82	150	4149	4029	4765	4824
	TXB30-1 1/2	TXB30-1 1/2-3	1.5	1035	6	11100	9700	7500	3500	78	165	4328	4178	6023	5095
	TXB30-2	TXB30-2-3	2	1176	6	12100	11000	9322	6700	81	215	4737	4253	6033	5176
	-----	TXB30-3-3	3	1350	6	13480	12498	11465	10380	84	215	-----	4536	-----	5515
34"	-----	TXB30-5-3	5	1650	6	16440	15242	13982	12659	88	230	-----	4587	-----	5660
	TXB34-1 1/2	TXB34-1 1/2-3	1.5	1170	6	13695	11100	6000	1015	82	190	5003	4854	6697	5763
	TXB34-2	TXB34-2-3	2	1027	6	14657	12590	10000	8000	81	240	5573	5089	6863	6010
	-----	TXB34-3-3	3	1175	6	17580	15896	14095	12000	85	260	-----	5222	-----	6201
42"	-----	TXB34-5-3	5	1416	6	20500	19000	17500	16000	88	305	-----	5256	-----	6339
	TXB42-1 1/2	TXB42-1 1/2-3	1.5	750	4	18960	14662	7200	----	78	250	5930	5959	7803	6870
	TXB42-2	TXB42-2-3	2	820	4	20700	17002	11400	4000	80	260	6349	6057	7838	6974
	-----	TXB42-3-3	3	890	4	23700	20200	16970	9950	82	260	-----	6183	-----	7162
48"	-----	TXB42-5-3	5	850	6	26900	24403	22250	18400	82	270	-----	6506	-----	7584
	-----	TXB48-5-3	5	800	6	33000	29000	25600	20000	85	375	-----	9645	-----	10724
-----	TXB48-7 1/2-3	7.5	900	6	37000	34500	31000	27000	87	520	-----	10245	-----	12061	

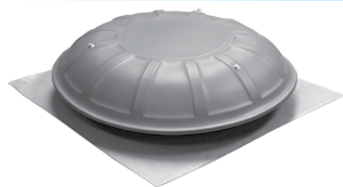
Dimensions

SIZE	HOUSING INNER DIMENSION	HOUSING OUTER DIMENSION	BOLT HOLE CENTERS	HOUSING DEPTH
12"	12"	14"	13 1/8"	12"
15"	15"	17"	16 1/8"	12"
18"	18"	20"	19 1/8"	12"
24"	24"	27"	25 3/4"	12" & 16"
27"	27"	30"	28 3/4"	16"
30"	30"	33"	31 3/4"	16"
34"	34"	37"	35 3/4"	16"
42"	42"	45"	43 5/16"	18"
48"	48"	51"	49 5/8"	24"

Note: Products listed in this section are custom built and subject to 100% cancellation/restocking charges.

Attic Fans

Power Attic Mount Dome Ventilator



Features

- 120V Motor / 1-Phase
- Automatic thermostat (90°-130°F)
- Insect and bird screen installed
- Powder coated metal dome and base

Note: Photograph is a representation of stocked models. Actual model may vary in appearance.

Standard Models

MFG CATALOG NUMBER	MFG MODEL NUMBER	DOMES COLOR	SPEED	CFM .03 SP	VOLTS	HP	RPM	ATTIC SIZE / SQ. FT.	WT. (LBS)	LIST
08664202	PDV-305-1MB-GY	Gray	1	1000	120	1/12	1050	Average/1600	18	182
08664302	PDV-305-1MB-BR	Brown	1	1000	120	1/12	1050	Average/1600	18	
08664402	PDV-305-1MB-BLK	Black	1	1000	120	1/12	1050	Average/1600	18	

Gable Exhaust Fan



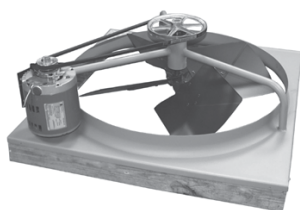
Features

- 120V motor / 1-Phase
- Automatic adjustable thermostat (90°-130°F)
- Partially assembled (mounting tabs must be assembled)
- 15" diameter x 6" depth
- 4 mounting tabs on 16" centers

Standard Models

MFG CATALOG NUMBER	MFG MODEL NUMBER	DESCRIPTION	CFM .03 SP	ATTIC SIZE/ ST. FT.	WT. (LBS)	LIST
08663702	GV-405-2B	Gable Mount Ventilator	1300	average/2000	11	142
08665202	AGD-1416B	Aluminum Damper for GV-405-2	----	----	3	82

Belt Drive Wholehouse Fans



Features

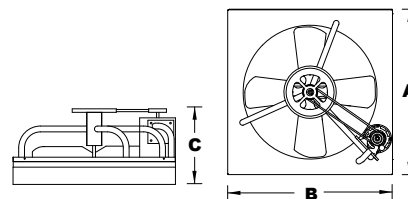
- 120V, 1-Phase, 2-Speed motors
- Shutters automatically open when fan is turned on and close tightly when fan is turned off
- Made in U.S.A.

NOTE: Belt Drive Fan with "No Joist Cut" Shutter.

Standard Models

MFG CATALOG NUMBER	MFG MODEL NUMBER	SIZE	SPEED	MOTOR HP	CFM @ .1 IN. H2O PRESSURE DROP w/ SHUTTER	FAN SPEED RPM	FAN MOUNTING DIMENSIONS (IN)			EXHAUST SQ. FT. REQ'D	AMPS	WT. (LBS)	LIST
							A	B	C				
07936202	BD24-2-WHS	24"	2	1/3	4500/2700	612/410	28	29.5	14.5	7	5.7/4.8	40	774
07936302	BD30-2-WHS	30"	2	1/3	7600/5800	520/350	34	35.5	14.5	9	6.9/5.5	50	831
07936402	BD36-2-WHS	36"	2	1/3	9675/6400	395/265	40	41.5	14.5	12	6.3/3.1	64	914

Fan Dimensions



Ceiling Shutters

MFG CATALOG NUMBER	MFG MODEL NUMBER	FIT HOLE SIZE (I.D.)	OUTSIDE SIZE (O.D.)	FAN SIZE	WT. (LBS)	LIST
07944802	CS-10-W	26X26	28X28	24"	8	142
07944602	CS-13-W	32X34	34X36	30"	10	149
07945302	CS-14-W	34X34	36X36	30"	10	155
07944702	CS-18-W	32X43	34X45	36"	11	169
07945202	CS-19-W	34X43	36X45	36"	11	183

Control Options

MFG CATALOG NUMBER	MFG MODEL NUMBER	DESCRIPTION	WT. (LBS)	LIST
07927002	2-SW	2 Speed wall switch & plate	1	41
05000802	1A22-7	SP Close on rise (Attic Thermostat) (80°-130°F)	1	48

"Joist out style" (For replacement only)

Portable Utility Lights

4 Sources of Light Sources



- | LED 37 | LED 1 & 2 | Fluorescent | Quartz Halogen |
|--|---|--|--|
| <ul style="list-style-type: none"> • 30,000+ hour lamp life • Safety glass front lens cover • NEMA 4 rated enclosure • Can be used with pedestal, cart, and tripod mounts only. • Compliant with RoHS 2 Directive (2011/65/EU). | <ul style="list-style-type: none"> • Longest Lamp Life • Lowest energy usage per lumens produced. • 12 Watt LED bulbs (included) • Shade remains Cool-to-the-Touch. | <ul style="list-style-type: none"> • Uses compact, low energy use • Long life 55 Watt Fluorescent bulbs (included) • Shade remains Cool-to-the-Touch. | <ul style="list-style-type: none"> • High light output • Weatherproof aluminum die-cast light heads • 500 Watt quartz bulbs (included). |

6 Types of Bases and Mounts

Pedestal Base	Cart Base	Tripod Base
<ul style="list-style-type: none"> • 16 gauge round steel tube construction • Height adjustable from 5'-6" to 8'-6" high • 18" heavy duty steel base 	<ul style="list-style-type: none"> • 16 gauge round steel tube construction • Height adjustable from 5' to 8' high • 10" diameter wheels 	<ul style="list-style-type: none"> • 20 gauge round steel tube construction • Height adjustable from 3' to 6'-6" high • Base covers 46" diameter area
Floor Base	Clamp-On Mount	Magnet Mount
<ul style="list-style-type: none"> • 12 gauge steel base • Handle included • Base covers 16" diameter area 	<ul style="list-style-type: none"> • Clamp secures light head to most surfaces up to 3" 	<ul style="list-style-type: none"> • 210 lb. magnetic strength • 1/4" steel arm • Extends 6" from mounting surface

Light Selection Chart & Illumination Levels

LIGHT SOURCE:	QUARTZ HALOGEN		FLUORESCENT		LED		LED 37		
	1	2	1	2	1	2	1	2	
# OF LIGHT HEADS	1	2	1	2	1	2	1	2	
MAX. WATTAGE	500	1,000	55	110	12	24	37	74	
MAX. LUMENS	11,000	22,000	3,000	6,000	960	1,920	2,373	4,746	
AVG. BULB LIFE (HRS.)	2,000		10,000		50,000		>30,000		
WIRE GUARD INCLUDED	Yes		Yes		Yes		No		
BULB INCLUDED	Yes		Yes		Yes		Yes		
LIGHT SOURCE ILLUMINATION LEVELS									
Measured Footcandles & Distance from Light Source (open area)	5' ft.	74.4	137.3	20.0	35.8	224.5	456.8	448.1	896
	10' ft.	36.1	65.9	8.7	14.8	121.4	258.8	299	598
	20' ft.	13.2	24.6	3.1	5.1	29.0	64.0	71	142
	30' ft.	6.6	12.3	1.7	2.5	14.2	31.4	34	68

Task Lighting...



ATTENTION

Fluorescent and HID lamps contain mercury. Dispose of these lamps according to local, state, or federal laws. For further information on local, state, or other requirements for disposal of mercury-containing lamps, see <http://www.lamprecycle.com>.

Portable Utility Lights

Incandescent, Fluorescent, and LED Series

Features

- Chip resistant safety yellow & black powder coating finish for high visibility and durability
- 15' long 18/3 SJT, 120V cordset with NEMA 15-5 grounded plug
- Shade will swivel 300° horizontally and 210° vertically
- On/Off switch, bulb, and wire guard included on each light head
- Made in U.S.A. with domestic and foreign components

Lamp Specifications - LED & FL

- Aluminum shade is 9 3/8" long with 7 3/4" diameter opening and will swivel 300° horizontally and 210° vertically
- LED 1 & 2 models are designed with an acrylic lens cover over each of the 12 single Watt LED emitters. Constructed with narrow 15° angle beam generating 960 lumens per bulb.
- FL models include a 55W spiral fluorescent bulb and internal reflector for maximum illumination at shorter distances.
- ETL C/US Listed for indoor & semi-protected outdoor use

Lamp Specifications - LED-37

- Lexan housing
- Safety glass front lens cover
- NEMA 4 rated enclosure
- Can be used with dock arm, pedestal, cart, and tripod bases only.
- Push button on-off switch
- 15' power cord
- Compliant with RoHS 2 Directive (2011/65/EU), that of which includes the application exemptions outlined in Annex III of the directive.



Lamp Specifications - QH

- QH models include a 500 Watt quartz halogen bulb and weatherproof die cast aluminum light head with impact resistant lens
- Each shade size is 9" wide x 7 1/4" high x 9 3/4" deep
- ETL C/US listed for indoor & semi-protected outdoor use



Standard Models

MFG CATALOG NUMBER	MFG MODEL NUMBER	TYPE	DESCRIPTION	TOTAL MAX WATTS	# OF LIGHT HEADS	WT. (LBS)	LIST
04885402	LED-37-1*	LIGHthead	LED	37	1	6	340
04885302	LED-37-2*			74	2	10	688
04873602	LED-1		LED	12	1	6	289
04873702	LED-2			24	2	9	644
04803002	FL-1		FLUORESCENT	55	1	5	206
04803402	FL-2			110	2	8	515
04802902	QH-1		QUARTZ HALOGEN	500	1	5	129
04803302	QH-2			1000	2	10	217
04802702	PED	MOUNT / BASE	PEDESTAL	----	----	31	284
04802802	CRT		CART	----	----	27	248
04802302	TRI		TRIPOD	----	----	9	99
04802602	FLR		FLOOR	----	----	4	80
04802402	CLP		CLAMP	----	----	2	44
04802502	MAG		MAGNET	----	----	3	53

*Cannot be used with clamp-on mount

Individual Portable Light Components - Replacement Bulbs

MFG CATALOG NUMBER	MFG MODEL NUMBER	DESCRIPTION	WATTS	USED WITH	WT. (LBS)	LIST
04850502	SSE-55	Fluorescent Bulb	55	ALL FL Light heads	1	54
04708502	LED-12	LED Bulb	12	ALL LED Light heads	1	110

LED Light Head with Mount



M-LED-37-1

F-LED-37-1

MFG CATALOG NUMBER	MFG MODEL NUMBER	DESCRIPTION	WATTS	WT. (LBS)	LIST
04888402	M-LED-37-1	LED with Magnet Mount	37	8	420
04888602	F-LED-37-1	LED with Floor Mount	37	9	393

Heavy Duty Portable Utility Lights



PUL-1000Q-CD

Quartz Halogen Light Heads

- (2) 500 Watt weatherproof die cast Aluminum light heads with 15' long, 3-conductor cord, and plug
- Quartz halogen lamps
- Impact resistant lens
- On-Off switch
- OSHA approved wire guards and bulb included with each light head
- Made in U.S.A. with domestic and foreign components.



PUL-1000Q-TC

Cart Light Stand With GFCI Features

- Upright adjust from 5' to 8' high
- 10" diameter rubber wheels
- 15' all-weather, water and oil resistant SJTW 18/3 cordset and molded NEMA 5-15 plug
- Weatherproof electrical box with a 15 Amp GFCI duplex receptacle

Tripod Light Stand Features

- Square 12 gauge steel tubing construction
- Adjustable legs fold up for storage, fold flat for sand bagging or can be set and locked at 6", 12", 18", or 24" ground clearances
- Height adjustable from 5' to 11' high
- Safety stop mechanism, at full extension, prevents the mast from being pulled out of the base
- 15' all-weather, water and oil resistant SJTW 18/3 cordset and molded NEMA 5-15 plug

Standard Models

MFG CATALOG NUMBER	MFG MODEL NUMBER	BASE TYPE	BULBS	WATTS	VOLTS	MAX LUMENS	AVE. BULB LIFE (HRS)	WT. (LBS)	LIST
04467802	PUL-1000Q-CD	CART	500W Quartz Halogen	1000	120	22,000	2,000	50	691
04468302	PUL-1000Q-TC	TRIPOD						41	729

Commercial Duty Portable Utility Lights

CL 300 (Clamp on Model)



Features

- Ceramic socket will accept incandescent bulbs A-19, R-40 or PAR bulbs up to 300 Watt. Fixture will also accept infrared heat lamps up to 250 Watts
- 8' long - 18/3 SPT cordset with NEMA 5-15 plug
- Imported to TPI specifications.

Standard Models

MFG CATALOG NUMBER	MFG MODEL NUMBER	BASE TYPE	DESCRIPTION	MAX. WATTS	VOLTS	MAX LUMENS	AVE. BULB LIFE HOURS	WT. (LBS)	LIST
02804900	CL-300	CLIP-ON	LED	11	120	800	25,000	3	73

CL-300 is shipped in ONE carton. LED bulb included.

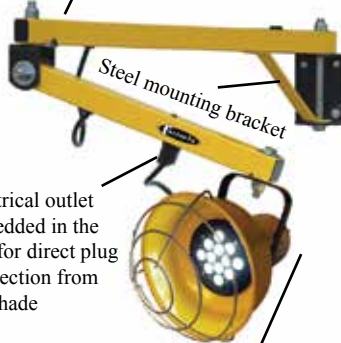
Light Head Features



- Chip resistant safety yellow & black powder coating finish for high visibility and durability
- 5' long 18/3 SJT, 120V cordset with NEMA 15-5 grounded plug
- On/Off switch & wire guard included on each light head
- 1 1/2" square, 11-gauge, steel tubing
- 3" x 5" x 3/16" mounting plate attached with (4) 3/8" bolts (not supplied)
- (4) Lighting Sources to select from: incandescent, quartz halogen, LED, or fluorescent
- (2) Arm Lengths: 40" or 60" (plus 25" flex arm, incandescent only)
- VA models include (2) dock arms with a vertical adjustment bracket allowing outer arm to adjust from 300° horizontally and 210° vertically
- All light heads will swivel 300°
- Bulbs included with all light heads, except incandescent models
- ETL C/US Listed for indoor applications only, except QH models are semi-protected outdoor
- Made in U.S.A. with domestic and foreign components



Dock arm made of 1 1/2" square steel tubing



On/Off switch & high temperature porcelain socket with a nickel plated copper screw shell

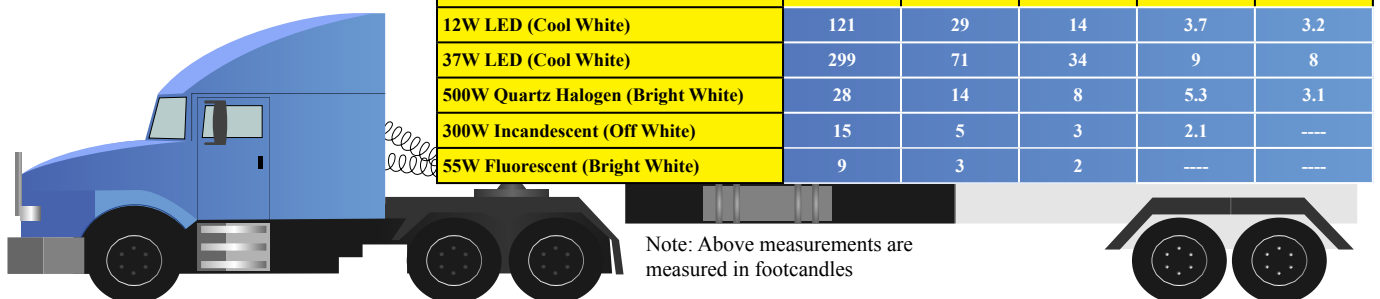
Light Selection Chart & Illumination Levels

DESCRIPTION	Incandescent	Quartz Halogen	LED	LED 37	Fluorescent	
MAX. WATTAGE	300	500	12	37	55	
MAX. LUMENS	3,700	11,000	960	2,373	3,000	
AVG. BULB LIFE (HRS.)	2,000	2,000	50,000	30,000	10,000	
BULB INCLUDED	No	Yes	Yes	Yes	Yes	
LIGHT SOURCE ILLUMINATION LEVELS						
Measured Footcandles & Distance from Light Source (inside trailer)	10' ft.	15	28	121	299	9
	20' ft.	5	14	29	71	3
	30' ft.	3	8	14	34	2
	40' ft.	2	5	4	9	---
	50' ft.	---	3	3	8	---

Dock Light Performance Testing

We measured light levels (in footcandles) inside a 8' x 9' x 53' trailer with a wooden floor and ceiling and white fiberglass walls. A matrix of nine measurements were taken at five work plains inside the trailer. Averages were figured along the center work plane of the trailer.

These charts measure the overall quality of truck trailer illumination from a selection of light sources. Many other factors such as: cost of energy, safety, availability of fixtures, cost of labor and replacement lamps should figure into your final decision.



Light Source and Color Characteristics	10 ft.	20 ft.	30 ft.	40 ft.	50 ft.
12W LED (Cool White)	121	29	14	3.7	3.2
37W LED (Cool White)	299	71	34	9	8
500W Quartz Halogen (Bright White)	28	14	8	5.3	3.1
300W Incandescent (Off White)	15	5	3	2.1	---
55W Fluorescent (Bright White)	9	3	2	---	---

Note: Above measurements are measured in footcandles

Loading Dock Lights - Fully Assembled Standard Duty Loading Dock Arms

(Light Head and Arm Bolted Together and Shipped in One Carton)

Standard Models (120 V)



MFG CATALOG NUMBER	MFG MODEL NUMBER	ARM LENGTH	# OF ARMS	MAX WATTS	WT. (LBS)	LIST
INCANDESCENT						
04466502	DKL-40VA-A	40"	2	300	14	201
04466602	DKL-60VA-A	60"	2		17	242
QUARTZ HALOGEN						
04467102	DKL-40VA-QH-A	40"	2	500	15	242
04467202	DKL-60VA-QH-A	60"	2		18	281
LED						
04708302	DKL-40VA-LED	40"	2	12	15	402
04708402	DKL-60VA-LED	60"	2		18	443
FLUORESCENT						
04850302	DKL-40VA-FL-A	40"	2	55	15	305
04850402	DKL-60VA-FL-A	60"	2		18	330

Note: Made in U.S.A. with domestic and foreign components

Ceiling Mounted Incandescent Flex Arm



Features

- Flexible elastomer arm moves when hit and then returns light to original position
- Ceramic socket will accept incandescent bulbs, R-40 or PAR bulbs up to 300W
- On-off toggle switch on light head

Standard Models

MFG CATALOG NUMBER	MFG MODEL NUMBER	ARM LENGTH	WATTS	VOLTS	MAX LUMENS	AVE. BULB LIFE (HRS)	WT. (LBS)	LIST
03854002	DKL-25-FLX	25"	300	120	3,700	2000	7	213

*Bulb not included.

Light Head Accessories

Standard Models



MFG CATALOG NUMBER	MFG MODEL NUMBER	DESCRIPTION	WATTS	USED WITH	WT. (LBS)	LIST
03313222	LG-1	Lamp Guard	-	INC, LED, or FL Fixtures	2	39
04887402	DLGS	Light Head Guard (Small)	-	LED-37	.5	45
04887502	DLGL	Light Head Guard (Large)	-	LED, FL, QH	1	55
04850502	SSE-55	Fluorescent Bulb	55	ALL FL Light heads	1	54
04708502	LED-12	LED Bulb	12	ALL LED Light heads	1	110

Note: Lamp guards are included with every dock light fixture.
DLGS is shown with QH light head and 24" dock arm (sold separately)

Loading Dock Lights - Modular

Modular Lights



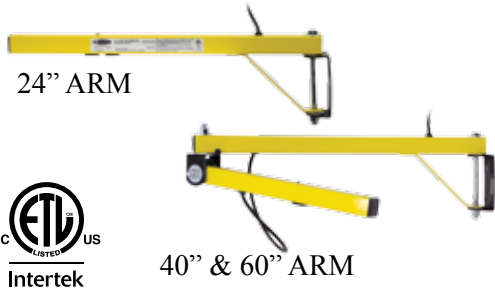
Features

- 14" long, 18/3 conductor cord plugs into electrical junction box on arm
- On/Off switch & wire guard included with each light head
- Bulb included with all light heads except DKL-INC
- Imported to TPI specifications.
- DKL-LED-37 is compliant with ROHS 2 Directive (2011/65/EU), that of which includes the application exemptions outlined in Annex III of the directive.

Standard Models

MFG CATALOG NUMBER	MFG MODEL NUMBER	LIGHT HEAD TYPE	MAX WATTS	MAX LUMENS	AVE. BULB LIFE (HRS)	WT. (LBS)	LIST
04465602	DKL-INC	Incandescent	300	3,700	2,000	5	80
04465702	DKL-QH	Quartz Halogen	500	11,000	2,000	6	119
04708602	DKL-LED	LED	12	960	50,000	7	273
04881302	DKL-LED-37	LED	37	2,373	>30,000	5	320
04843302	DKL-FL	Fluorescent	55	3,000	10,000	7	185

Mounting Arms



The outer arm on 40" & 60" arms will swing 300° in horizontal plane & 210° in vertical plane

Features

- 1 1/2" square, 11 gauge, steel tubing
- 3" x 5" x 3/16" mounting plate attaches with (4) 3/8" bolts
- 5' long, 18/3 SJTW conductor cord and NEMA 5-15 grounded plug
- Made in U.S.A.

Standard Models

MFG CATALOG NUMBER	MFG MODEL NUMBER	ARM LENGTH	TOTAL # OF ARMS	WT. (LBS)	LIST
04465402	DKL-40VA-ARM	40"	2	18	125
04465502	DKL-60VA-ARM	60"	2	24	158
04465302	24-LDA	24"	1	11	98
04466102	40-LDA**	40"	3	18	169
04466202	60-LDA**	60"	3	24	196

**Indicates heavy duty dock arms.

Loading Dock Arm Fan



Features

- 18" high velocity circulator, with 3 speed, 1/8 HP, 115V, 1phase permanently lubricated, totally enclosed, PSC motor
- Modular fan plugs into electrical outlet on arm
- Coated steel guards and aluminum blades.
- Imported to TPI specifications.

Standard Models

MFG CATALOG NUMBER	MFG MODEL NUMBER	CFM			AMPS HIGH	WT. (LBS)	LIST
		HIGH	MED	LOW			
07971802	LDF-18-TE	1800	1500	1300	2.2	20	194

Note: Must be used with LDA (Heavy Duty) mounting arms.

Machine Tool Lights

Water Resistant Fluorescent Tube Lights



Features

- ETL C/US Listed for NEMA Type 13 applications - oil / water / coolant spray areas (not submersible) and dusty atmospheres.
- Available with a durable, lightweight, economical, shatter resistant polycarbonate tube housing
- Model 21-TLP-IB-C includes a remote ballast, cordset, and on/off switch
- Stainless steel mounting hardware and fluorescent bulb are included
- 8' long, 18/3 SJTOW cord with NEMA 5-15 plug on models with cords
- EOB units with internal ballast are factory wired for 120V w/ 8' long cordset. Units can be field converted for direct wiring for 90V to 277V. Terminal block provided for easy wire installation.
- Made in U.S.A.

Standard Models

MFG CATALOG NUMBER	MFG MODEL NUMBER	DESCRIPTION	WATTS	VOLTS	LUMENS	OVERALL LENGTH	TUBE MATERIAL	BALLAST INCLUDED	WT. (LBS)	LIST
02823200	21-TLP-IB-C	REMOTE BALLAST WITH CORDSET	36	120V	2900	21"	Polycarbonate	Yes	10	522
04829502	29-TLP-EOB-C	INTERNAL BALLAST WITH CORDSET	36	90 to 277V	2900	29"	Polycarbonate	Yes	7	442
04843402	29-TLP-A	REMOTE BALLAST	50	120V	4300	29"	Polycarbonate	Yes	7	469
04829302	23-TLP-24VDC	INTERNAL BALLAST	18	24VDC*	1250	23"	Polycarbonate	Yes	6	410

* Includes 2 ft. lead wires

Accessories - Replacement Lamps

MFG CATALOG NUMBER	MFG MODEL NUMBER	DESCRIPTION	USED WITH	WT. (LBS)	LIST
3103300	TL-RB-18	Fluorescent Replacement Bulb, 18W, PL-L	All 18 Watt Models	1	62
3100800	TL-RB-36	Fluorescent Replacement Bulb, 36W, PL-L	All 36 Watt Models	1	66
3108200	TL-RB-50	Fluorescent Replacement Bulb, 50W, PL-L	All 50 & 100 Watt Models	1	74

Heavy Duty Machine Tool Lights

Incandescent



Features

- Patented disc and collar swivel joints with adjustable bar knobs for securing arms into a variety of positions
- Shades constructed of a 22 Gauge steel and arms made of 5/8" steel tubing, with reach from 29" to 38"
- Charcoal gray powder coated finish
- Horizontal or vertical bolt down mounting bracket
- 10 amp rocker type on-off switch and lamp socket
- Includes an 8' 18/3 SJTO Cordset with NEMA 5-15 molded grounded plug for 120V operation
- LED bulb included
- Made in U.S.A.

Standard Models

MFG CATALOG NUMBER	MFG MODEL NUMBER	BULB TYPE	BULB DESCRIPTION	WATTS	MAX LUMENS	AVE. BULB LIFE (HRS)	OVER-ALL REACH	WT. (LBS)	LIST
03812101	55-VCX-701B	LED	60 Watt Equivalent	11	800	25,000	29"	6	218
03813101	66-VCX-701B						38"		227

Medium Duty, Flexible Arm, Incandescent, Machine Tool Lights



Features

- Chrome plated, flexible arm
- 8' 18/3 or 18/2 SPT cordset with molded plug
- Turn knob on-off switch
- Phenolic shade with spun Aluminum inner reflector on R - Series
- LED bulb included
- Imported to TPI specifications.

Standard Models

MFG CATALOG NUMBER	MFG MODEL NUMBER	BULB	BASE	MAX LUMENS	OVER-ALL REACH	WT. (LBS)	LIST
04423002	12-R-M-3	11 Watt	Magnetic Base	800	12"	3	154

Illuminated Florescent Magnifiers



Features

- 5", 8-diopter (3X power) magnifying clear lens for 200% magnification of an object with a focal length of 5"
- Suspension spring balanced arm assembly allowing up to 45" reach, with finger tighten control knobs to lock arms and shade into position
- 6' cordset with 2 prong polarized plug
- Housing consists of a sturdy white plastic 8 1/2" shade with an on-off rocker switch and glare protection cover located on the top of the shade
- Includes die-cast clamp-on base to attach to a flat surface up to 2-1/2" thick
- Factory installed 22W, 120V, T-9 deluxe cool white circline florescent lamp and protective lens
- Imported to TPI specifications.

Standard Models

MFG CATALOG NUMBER	MFG MODEL NUMBER	MAGNIFICATION POWER	BULB	WATTS	MAX LUMENS	AVE. BULB LIFE (HRS)	OVER-ALL REACH	WT. (LBS)	LIST
04851502	45-MAG-W	3X	22W. Circline	22	1800	16,000	45"	10	236
3120300	MAG-22W	22W., 120V., T-9 deluxe cool white circline replacement lamp						1	31

<i>Model</i>	<i>Page</i>	<i>Model</i>	<i>Page</i>	<i>Model</i>	<i>Page</i>	<i>Model</i>	<i>Page</i>
12-R-M-3	49	AGD-1416B	41	CE 20-DS	23	CES-48	26
1A22-7	41	BD24-2-WHS	41	CE 20-DV	25	CESM-24	32
2-SW	41	BD30-2-WHS	41	CE 24-D	24	CESM-30	32
21-TLP-IB-C	48	BD36-2-WHS	41	CE 24-DS	23	CESM-36	32
23-TLP-24VDC	48	CACM-P	7	CE 24-DV	25	CESM-42	32
24-LDA	47	CACU 24-P	9	CE 30-D	24	CESM-48	32
24-LDF-TE	19	CACU 24-PO	9	CE 30-DS	23	CESM-60	32
29-TLP-A	48	CACU 24-W	9	CE 30-DV	25	CF-12	18
29-TLP-EOB-C	48	CACU 24-WO	9	CE-24B	26	CF-18	18
40-LDA	47	CACU 30-P	9	CE-24B-3	26	CF-20	18
40-LDF-TE	19	CACU 30-P-HD	9	CE-30B	26	CHR-56	22
45-MAG-W	49	CACU 30-PO	9	CE-30B-3	26	CL-300	44
55-VCX-701B	49	CACU 30-PO-HD	9	CE-36B	26	CLP	43
60-LDA	47	CACU 30-W	9	CE-36B-3	26	CPB 30-D	10
60-LDF-TE	19	CACU 30-WO	9	CE-42B	26	CPB 36-B	10
66-VCX-701B	49	CAS - 18	14	CE-42-B-3	26	CPB 36-D	10
AC-24GB	7	CAS - 48	14	CE-48B	26	CPB 42-B	10
AC-30GB	7	CBT-24B	31	CE-48-B-3	26	CPB 48-B	10
AC-MOT	7	CBT-24B-3	31	CEFP-12	34	CPBS 24-DHV	10
AC-MOT-O	7	CBT-30B	31	CEFP-16	34	CPBS 30-D	10
ACH 20	7	CBT-30B-3	31	CEFP-18	34	CRT	43
ACH 20-O	5	CBT-36B	31	CEFP-20	34	CS-10-W	41
ACH 24	5	CBT-36B-3	31	CEFP-24	34	CS-13-W	41
ACH 24-EX1	8	CBT-42B	31	CEFP-30	34	CS-14-W	41
ACH 24-EX3	8	CBT-42B-3	31	CEFP-36	34	CS-18-W	41
ACH 24-O	5	CBT-48B	31	CEFP-42	34	CS-19-W	41
ACH 24-TE3	8	CBT-48B-3	31	CEFP-48	34	CU-20	18
ACH 30-TE3	8	CD-18	35	CEFP-60	34	DKL-25-FLX	46
ACH 30	5	CD-24	35	CES-12	32	DKL-40VA-A	46
ACH 30-EX1	8	CD-30	35	CES-16	32	DKL-40VA-ARM	47
ACH 30-EX3	8	CD-36	35	CES-18	32	DKL-40VA-FL-A	46
ACH 30-O	5	CD-42	35	CES-20	32	DKL-40VA-LED	46
ACM-C	2, 5, 7, 8	CD-48	35	CES-24	26, 32	DKL-40VA-QH-A	46
ACM-I	2, 5, 7, 8	CD-54	35	CES-30	26, 32	DKL-60VA-A	46
ACM-P	2, 5, 7, 8	CD-60	35	CES-36	26, 32	DKL-60VA-ARM	47
ACM-PM	2, 5, 7, 8	CE 10-D	24	CES-42	26, 32	DKL-60VA-FL-A	46
ACM-S	2, 5, 7, 8	CE 10-DS	23	CES-48	26, 32	DKL-60VA-LED	46
ACM-W	2, 5, 7, 8	CE 10-DV	25	CES-54	32	DKL-60VA-QH-A	46
ACM-WK	2, 4, 5, 7, 8	CE 12-D	24	CES-60	32	DKL-FL	19, 47
ACU 20-P	7	CE 12-DS	23	CES-10G	24, 25	DKL-INC	19, 47
ACU 20-PO	7	CE 12-DV	25	CES-12G	24, 25	DKL-LED	19, 47
ACU 20-W	7	CE 14-D	24	CES-14G	24, 25	DKL-LED-37	47
ACU 20-WO	7	CE 14-DS	23	CES-16G	24, 25	DKL-QH	19, 47
ACU 24-P	6	CE 14-DV	25	CES-18G	24, 25	DLGL	46
ACU 24-PO	6	CE 16-D	24	CES-20G	24, 25	DLGS	46
ACU 24-W	6	CE 16-DS	23	CES-24	26	DMKP1	35
ACU 24-WO	6	CE 16-DV	25	CES-24G	24, 25	DMKP2	35
ACU 30-P	6	CE 18-D	24	CES-30	26	EHB24-1	30
ACU 30-PO	6	CE 18-DS	23	CES-30G	24, 25	EHB24-1-3	30
ACU 30-W	6	CE 18-DV	25	CES-36	26	EHB24-1/2	30
ACU 30-WO	6	CE 20-D	24	CES-42	26	EHB24-1/2-3	30

Product Index Listing

Model	Page	Model	Page	Model	Page	Model	Page
EHB24-1/4	30	EHB48-3/4-3	30	EHD36-2	29	FLS-60	35
EHB24-1/4-3	30	EHB48-5-3	30	EHD36-2-3	29	GACM-P	5
EHB24-3/4	30	EHB60-1	30	EHD36-3-3	29	GV-405-2B	41
EHB24-3/4-3	30	EHB60-1 1/2	30	EHD36-5-3	29	HD-24GB	7
EHB30-1	30	EHB60-1 1/2-3	30	EHD42-1-3	29	HD-24GB-C	7
EHB30-1 1/2	30	EHB60-1-3	30	EHD42-2	29	HD-30GB	7
EHB30-1 1/2-3	30	EHB60-2	30	EHD42-2-3	29	HD-30GB-C	7
EHB30-1-3	30	EHB60-2-3	30	EHD42-3-3	29	HD-MOT	7
EHB30-1/2	30	EHB60-3-3	30	EHD42-5-3	29	HDH 24	4
EHB30-1/2-3	30	EHB60-5-3	30	EHD48-3-3	29	HDH 24-G	5
EHB30-1/3	30	EHD12-1/4	29	EHD48-5-3	29	HDH 24-GJR	2
EHB30-1/3-3	30	EHD12-1/4-3	29	EHD60-10-3	29	HDH 24-JR	2
EHB30-1/4	30	EHD16-1/4	29	EHD60-3-3	29	HDH 30	4
EHB30-1/4-3	30	EHD16-1/4-3	29	EHD60-5-5	29	HDH 30-G	5
EHB30-3/4	30	EHD18-1/2	29	EHD60-7 1/2-3	29	HDH 30-GJR	2
EHB30-3/4-3	30	EHD18-1/2-3	29	EMF-12	33	HDH 30-JR	2
EHB36-1	30	EHD18-1/3	29	EMF-16	33	HDHR-56	22
EHB36-1 1/2	30	EHD18-1/3-3	29	EMF-20	33	HDHR-56WR	22
EHB36-1 1/2-3	30	EHD20-1	29	EMF-24	33	HDHR-60	22
EHB36-1-3	30	EHD20-1-3	29	EMF-30	33	HDHR-60WR	22
EHB36-1/2	30	EHD20-1/2	29	EMF-36	33	HDM-C	2, 4, 7
EHB36-1/2-3	30	EHD20-1/2-3	29	EMF-42	33	HDM-I	2, 4, 7
EHB36-1/3	30	EHD20-1/4	29	EMF-48	33	HDM-P	2, 4, 7
EHB36-1/3-3	30	EHD20-1/4-3	29	EMF-60	33	HDM-W	2, 4, 7
EHB36-2	30	EHD24-1	29	EVAP-Mini 700	20	HR-GUARD	22
EHB36-2-3	30	EHD24-1-3	29	EVAP16HD	21	IBG-12	33
EHB36-3/4	30	EHD24-1/2	29	EVAP24HD	21	IBG-16	33
EHB36-3/4-3	30	EHD24-1/2-3	29	EVAP36HD	21	IBG-18	33
EHB42-1	30	EHD24-1/3	29	EVAP36-HAZ	20	IBG-20	33
EHB42-1 1/2	30	EHD24-1/3-3	29	EVAP48HD	21	IBG-24	33
EHB42-1 1/2-3	30	EHD24-1/4	29	EVAP48-HAZ	20	IBG-30	33
EHB42-1-3	30	EHD24-1/4-3	29	F-12-TE	17	IBG-36	33
EHB42-1/2	30	EHD24-2	29	F-18-CR	17	IBG-42	33
EHB42-1/2-3	30	EHD24-2-3	29	F-18-TE	17	IBG-48	33
EHB42-1/3	30	EHD24-3-3	29	F-18H-CR	17	IBG-60	33
EHB42-1/3-3	30	EHD24-3/4	29	F-18H-TE	17	IE24-1	28
EHB42-2	30	EHD24-3/4-3	29	F-24-CR	17	IE24-1-3	28
EHB42-2-3	30	EHD30-1 1/2	29	F-24-TE	17	IE24-1/2	28
EHB42-3-3	30	EHD30-1 1/2-3	29	F-24H-CR	17	IE24-1/2-3	28
EHB42-3/4	30	EHD30-1-3	29	F-24H-TE	17	IE24-1/3	28
EHB42-3/4-3	30	EHD30-1/2	29	F-LED-31-1	43	IE24-1/3-3	28
EHB48-1	30	EHD30-1/2-3	29	FL-1	43	IE24-3/4	28
EHB48-1 1/2	30	EHD30-1/3	29	FL-2	43	IE24-3/4-3	28
EHB48-1 1/2-3	30	EHD30-1/3-3	29	FLR	43	IE30-1	28
EHB48-1-3	30	EHD30-2	29	FLS-18	35	IE30-1-3	28
EHB48-1/2	30	EHD30-2-3	29	FLS-24	35	IE30-1/2	28
EHB48-1/2-3	30	EHD30-3-3	29	FLS-30	35	IE30-1/2-3	28
EHB48-2	30	EHD30-3/4	29	FLS-36	35	IE30-1/3	28
EHB48-2-3	30	EHD30-3/4-3	29	FLS-42	35	IE30-1/3-3	28
EHB48-3-3	30	EHD36-1	29	FLS-48	35	IE30-3/4	28
EHB48-3/4	30	EHD36-1-3	29	FLS-54	35	IE30-3/4-3	28

<i>Model</i>	<i>Page</i>	<i>Model</i>	<i>Page</i>	<i>Model</i>	<i>Page</i>	<i>Model</i>	<i>Page</i>
IE36-1	28	IHP 20-H-WD	8	MCD36-2	14, 15	PCBT 36-B	16
IE36-1 1/2	28	IHP 24-H	5	MCD36-3	14, 15	PCBT 42-B	16
IE36-1 1/2-3	28	IHP 24-H-277	8	MCD36-5	14, 15	PCBT 48-B	16
IE36-1-3	28	IHP 24-H-WD	8	MCD42-2	14	PDV-305-1MB-BLK	41
IE36-1/2	28	IHP 30-H	5	MCD42-5	14	PDV-305-1MB-BR	41
IE36-1/2-3	28	IHP 30-H-277	8	MCD48-10	14	PDV-305-1MB-GY	41
IE36-1/3	28	IHP 30-H-WD	8	MCD48-5	14	PED	43
IE36-1/3-3	28	IHP-MOT	7	MCD48-7 1/2	14	PM-1	18
IE36-2	28	IHR-48	22	MCD60-10	14	PM-1.5	18
IE36-2-3	28	IHR-56	22	MCD60-15	14	PM-18C	22
IE36-3/4	28	IHR-56-277V	22	MCD60-3	14	PM-18FO	22
IE36-3/4-3	28	IHR-56R	22	MCD60-5	14	PM-18S	22
IE42-1	28	KBWC-15	22	MCD60-7 1/2	14	PM-2	18
IE42-1 1/2	28	KBWC-13K	22	MK-1	32	PM-2.5	18
IE42-1 1/2-3	28	KBWC-15	22	MK-2	32	PM-3	18
IE42-1-3	28	KBWC-15SK	22	N-12	19	PUL-1000Q-CD	44
IE42-2	28	KBWC-310K	22	NK-PM18	22	PUL-1000Q-TC	44
IE42-2-3	28	LDF-18-TE	47	ODF-12	18	QH-1	43
IE42-3-3	28	LED-1	43	ODF-16	18	QH-2	43
IE42-3/4	28	LED-12	43, 46	OSF-16	18	R1-MOT	2
IE42-3/4-3	28	LED-2	43	PADEVAP16HD	21	R2-MOT	3
IE48-1	28	LED-37-1	43	PADEVAP24HD	21	RDS-18	35
IE48-1 1/2	28	LED-37-2	43	PADEVAP36HD	21	RDS-24	35
IE48-1 1/2-3	28	LG-1	46	PADEVAP48HD	21	RDS-30	35
IE48-1-3	28	M-LED-37-1	43	PADEVAP-Mini700	21	RDS-36	35
IE48-2	28	MAG	43	PB 30-D	11	RDS-42	35
IE48-2-3	28	MAG-22W	49	PB 36-B	12	RDS-48	35
IE48-3-3	28	MB 24-DF	16	PB 36-B-3	12	RDS-54	35
IE48-3/4	28	MB 24-DY	16	PB 36-B-HL	12	RDS-60	35
IE48-3/4-3	28	MB 30-DF	16	PB 36-D	11	RE24-1	36
IE48-5-3	28	MB 30-DY	16	PB 42-B	12	RE24-1-3	36
IE60-2	28	MBM-W	16	PB 42-B-3	12	RE24-1/2	36
IE60-2-3	28	MCD18-1	14, 15	PB 42-B-HL	12	RE24-1/2-3	36
IE60-3-3	28	MCD18-1/3	14, 15	PB 42-D	11	RE24-1/4	36
IE60-5-3	28	MCD18-1/4	14, 15	PB 48-B	12	RE24-1/4-3	36
IED12-1/4	27	MCD24-1	14, 15	PB 48-B-3	12	RE24-3/4	36
IED12-1/4-3	27	MCD24-1 1/2	14, 15	PB 48-B-HL	12	RE24-3/4-3	36
IED16-1/3	27	MCD24-1/2	14, 15	PB 48-D-OP	11	RE30-1	36
IED16-1/3-3	27	MCD24-1/3	14, 15	PBS 30-D	11	RE30-1 1/2	36
IED18-1/2	27	MCD24-1/4	14, 15	PBS 36-B	12	RE30-1 1/2-3	36
IED18-1/2-3	27	MCD24-3	14, 15	PBS 36-B-3	12	RE30-1-3	36
IED20-3/4	27	MCD24-3/4	14, 15	PBS 36-B-HL	12	RE30-1/2	36
IED20-3/4-3	27	MCD30-1	14, 15	PBS 36-D	11	RE30-1/2-3	36
IED24-1	27	MCD30-1 1/2	14, 15	PBS 42-B	12	RE30-1/3	36
IED24-1-3	27	MCD30-1/2	14, 15	PBS 42-B-3	12	RE30-1/3-3	36
IED30-1	27	MCD30-1/3	14, 15	PBS 42-B-HL	12	RE30-3/4	36
IED30-1-3	27	MCD30-2	14, 15	PBS 42-D	11	RE30-3/4-3	36
IED36-1 1/2	27	MCD30-3	14, 15	PBS 48-B	12	RE36-1	36
IED36-1 1/2-3	27	MCD30-3/4	14, 15	PBS 48-B-3	12	RE36-1 1/2	36
IED42-2-3	27	MCD36-1	14, 15	PBS 48-B-HL	12	RE36-1 1/2-3	36
IED48-3-3	27	MCD36-1 1/2	14, 15	PBS 48-D-OP	11	RE36-1-3	36

Product Index Listing

Model	Page	Model	Page	Model	Page	Model	Page
RE36-1/2	36	SB 36-B	13	TXB12-1/4	40	TXB34-1 1/2	40
RE36-1/2-3	36	SB 36-B-3	13	TXB12-1/4-3	40	TXB34-1 1/2-3	40
RE36-1/3	36	SB 36-B-HL	13	TXB12-3/4	40	TXB34-2	40
RE36-1/3-3	36	SB 36-D	13	TXB12-3/4-3	40	TXB34-2-3	40
RE36-2	36	SB 42-B	13	TXB15-1/2	40	TXB34-3-3	40
RE36-2-3	36	SB 42-B-3	13	TXB15-1/2-3	40	TXB34-5-3	40
RE36-3/4	36	SB 42-B-HL	13	TXB15-1/3	40	TXB42-1 1/2	40
RE36-3/4-3	36	SB 42-D	13	TXB15-1/3-3	40	TXB42-1 1/2-3	40
RE42-1	36	SB 48-B	13	TXB15-1/4	40	TXB42-2	40
RE42-1 1/2	36	SB 48-B-3	13	TXB15-1/4-3	40	TXB42-2-3	40
RE42-1 1/2-3	36	SB 48-B-HL	13	TXB15-3/4	40	TXB42-3-3	40
RE42-1-3	36	SCK-12	2, 3	TXB15-3/4-3	40	TXB42-5-3	40
RE42-1/2	36	SF-12	33	TXB18-1	40	TXB48-5-3	40
RE42-1/2-3	36	SF-16	33	TXB18-1 1/2	40	TXB48-7 1/2-3	40
RE42-2	36	SF-18	33	TXB18-1 1/2-3	40	TXD12-1/2	39
RE42-2-3	36	SF-20	33	TXB18-1-3	40	TXD12-1/2-3	39
RE42-3-3	36	SF-24	33	TXB18-1/2	40	TXD12-1/4	39
RE42-3/4	36	SLS-18	35	TXB18-1/2-3	40	TXD12-1/4-3	39
RE42-3/4-3	36	SLS-24	35	TXB18-1/3	40	TXD12-3/4	39
RE48-1	36	SLS-30	35	TXB18-1/3-3	40	TXD12-3/4-3	39
RE48-1 1/2	36	SLS-36	35	TXB18-1/4	40	TXD18-1	39
RE48-1 1/2-3	36	SLS-42	35	TXB18-1/4-3	40	TXD18-1-3	39
RE48-1-3	36	SLS-48	35	TXB24-1	40	TXD18-1/2	39
RE48-2	36	SLS-54	35	TXB24-1 1/2	40	TXD18-1/2-3	39
RE48-2-3	36	SLS-60	35	TXB24-1 1/2-3	40	TXD18-1/3	39
RE48-3-3	36	SR-12	33	TXB24-1-3	40	TXD18-1/3-3	39
RE48-3/4	36	SR-16	33	TXB24-1/2	40	TXD18-1/4	39
RE48-3/4-3	36	SR-18	33	TXB24-1/2-3	40	TXD18-1/4-3	39
RE48-5-3	36	SR-20	33	TXB24-2	40	TXD24-1	39
RE54-1	36	SR-24	33	TXB24-2-3	40	TXD24-1-3	39
RE54-1 1/2	36	SSE-55	43, 46	TXB24-3-3	40	TXD24-1/2	39
RE54-1 1/2-3	36	SW-1	14	TXB24-3/4	40	TXD24-1/2-3	39
RE54-1-3	36	SW-1 1/2	14	TXB24-3/4-3	40	TXD24-1/3	39
RE54-2	36	SW-1 1/2-3	14	TXB27-1	40	TXD24-1/3-3	39
RE54-2-3	36	SW-1-3	14	TXB27-1 1/2	40	TXD24-1/4	39
RE54-3-3	36	SW-1/2	14	TXB27-1 1/2-3	40	TXD24-1/4-3	39
RE54-5-3	36	SW-1/2-3	14	TXB27-1-3	40	TXD24-2	39
RE60-1	36	SW-1/4	14	TXB27-2	40	TXD24-2-3	39
RE60-1 1/2	36	SW-1/4-3	14	TXB27-2-3	40	TXD24-3-3	39
RE60-1 1/2-3	36	SW-2-3	14	TXB27-3/4	40	TXD24-3/4	39
RE60-1-3	36	SW-3-3	14	TXB27-3/4-3	40	TXD24-3/4-3	39
RE60-2	36	SW-5-3	14	TXB30-1	40	TXD27-1	39
RE60-2-3	36	SW-7 1/2-3	14	TXB30-1 1/2	40	TXD27-1-3	39
RE60-3-3	36	TL-RB-18	48	TXB30-1 1/2-3	40	TXD27-1/2	39
RE60-5-3	36	TL-RB-36	48	TXB30-1-3	40	TXD27-1/2-3	39
RE60-7 1/2-3	36	TL-RB-50	48	TXB30-1/2	40	TXD27-2	39
RS 06-EC	2, 3	TRI	43	TXB30-1/2-3	40	TXD27-2-3	39
RS 09-EC	2, 3	TXB12-1/2	40	TXB30-2	40	TXD30-1/2	39
RS 12-EC	2, 3	TXB12-1/2-3	40	TXB30-2-3	40	TXD30-1/2-3	39
RS 15-EC	2, 3	TXB12-1/3	40	TXB30-3-3	40	TXD30-2	39
SB 30-D	13	TXB12-1/3-3	40	TXB30-5-3	40	TXD30-2-3	39

<i>Model</i>	<i>Page</i>	<i>Model</i>	<i>Page</i>	<i>Model</i>	<i>Page</i>	<i>Model</i>	<i>Page</i>
TXD30-3-3	39	UEB36-1/2-3	38	UED30-1 1/2-3	37		
TXD30-3/4	39	UEB36-3/4	38	UED30-1-3	37		
TXD30-3/4-3	39	UEB36-3/4-3	38	UED30-2	37		
TXD34-1 1/2	39	UEB42-1	38	UED30-2-3	37		
TXD34-1 1/2-3	39	UEB42-1 1/2	38	UED30-3-3	37		
TXD34-2	39	UEB42-1 1/2-3	38	UED30-3/4	37		
TXD34-2-3	39	UEB42-1-3	38	UED30-3/4-3	37		
TXD34-3-3	39	UEB42-2	38	UED36-2	37		
TXD34-5-3	39	UEB42-2-3	38	UED36-2-3	37		
TXD36-2	39	UEB42-3-3	38	UED36-3-3	37		
TXD36-2-3	39	UEB42-3/4	38	UED36-5-3	37		
TXD36-3-3	39	UEB42-3/4-3	38	UED42-2	37		
TXD42-1-3	39	UEB48-1	38	UED42-2-3	37		
TXD42-2	39	UEB48-1 1/2	38	UED42-5-3	37		
TXD42-2-3	39	UEB48-1 1/2-3	38	UED48-10-3	37		
TXD42-3-3	39	UEB48-1-3	38	UED48-3-3	37		
TXD42-5-3	39	UEB48-2	38	UED48-5-3	37		
TXD48-3-3	39	UEB48-2-3	38	UED48-7 1/2-3	37		
TXD48-5-3	39	UEB48-3-3	38	UED60-10-3	37		
TXG-12	39	UEB48-3/4	38	UED60-5-3	37		
TXG-15	39	UEB48-3/4-3	38	UED60-7 1/2-3	37		
TXG-18	39	UEB54-1	38	UHP 24-CJR	3		
TXG-24	39	UEB54-1 1/2	38	UHP 24-IJR	3		
TXG-27	39	UEB54-1 1/2-3	38	UHP 24-P	6		
TXG-30	39	UEB54-1-3	38	UHP 24-PJR	3		
TXG-34	39	UEB54-2	38	UHP 24-SJR	3		
TXG-36	39	UEB54-2-3	38	UHP 24-W	6		
TXG-42	39	UEB54-3-3	38	UHP 24-WJR	3		
TXG-48	39	UEB54-5-3	38	UHP 30-CJR	3		
U-12-TE	18	UEB60-1 1/2	38	UHP 30-IJR	3		
U-18-CR	17	UEB60-1 1/2-3	38	UHP 30-P	6		
U-18-TE	18	UEB60-2	38	UHP 30-PJR	3		
U-24-CR	17	UEB60-2-3	38	UHP 30-SJR	3		
U-24-TE	18	UEB60-3-3	38	UHP 30-W	6		
UEB24-1/2	38	UEB60-5-3	38	UHP 30-WJR	3		
UEB24-1/2-3	38	UED18-1	37	WACM-P	7		
UEB24-1/3	38	UED18-1-3	37	WACM-W	7		
UEB24-1/3-3	38	UED18-1/2	37	WH-12	34		
UEB24-3/4	38	UED18-1/2-3	37	WH-16	34		
UEB24-3/4-3	38	UED18-1/3	37	WH-18	34		
UEB30-1	38	UED18-1/3-3	37	WH-20	34		
UEB30-1-3	38	UED18-1/4	37	WH-24	34		
UEB30-1/2	38	UED18-1/4-3	37	WH-30	34		
UEB30-1/2-3	38	UED24-1	37	WH-36	34		
UEB30-3/4	38	UED24-1-3	37	WH-42	34		
UEB30-3/4-3	38	UED24-1/4	37	WH-48	34		
UEB36-1	38	UED24-1/4-3	37	WH-60	34		
UEB36-1 1/2	38	UED24-3-3	37	X3	22		
UEB36-1 1/2-3	38	UED24-3/4	37				
UEB36-1-3	38	UED24-3/4-3	37				
UEB36-1/2	38	UED30-1 1/2	37				

