

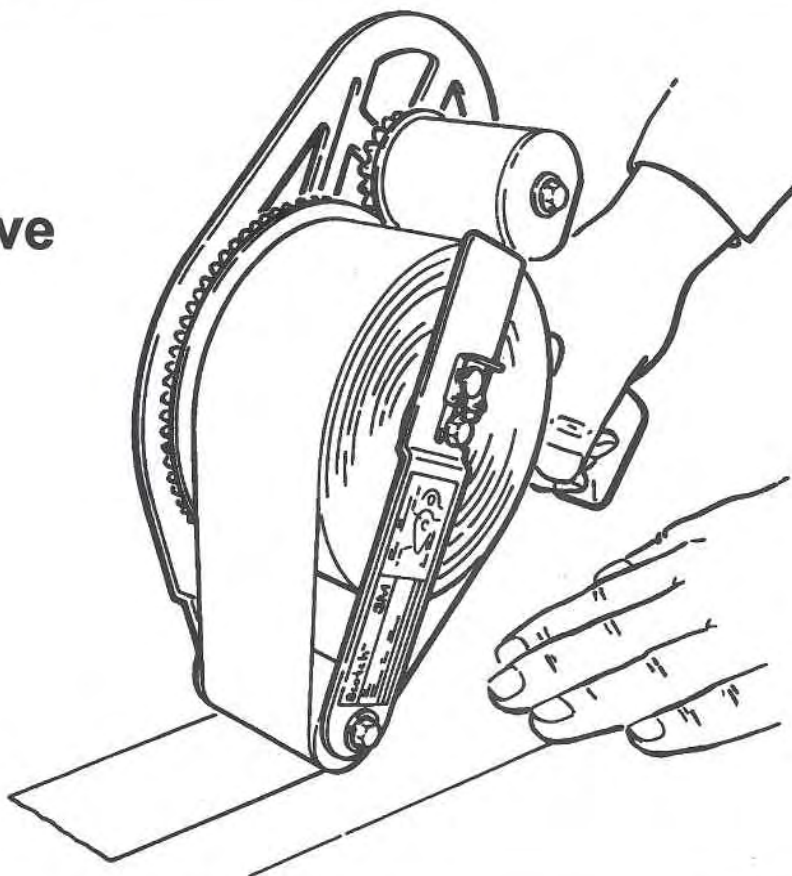
Instructions and Parts List

Scotch™

Heavy Duty Adhesive Transfer Gun

3662 – 2 Inch

Model 18300



Description

The 3662 Heavy Duty Adhesive Transfer Gun is designed to accommodate rolls of Scotch™ brand Adhesive Transfer Tape and apply the tape while simultaneously removing and rewinding the liner. Only the adhesive is applied making it a convenient tool for a wide variety of industrial splicing, mounting, holding and laminating applications.

Specifications

Tape:

For use with Scotch™ brand Adhesive Transfer Tape No's 924, 926 and 969.

Can also be used with some Scotch™ brand lined double-coated Repulpable Tape.

Dispenser Tape Capacity:

Tape Width – 2 inch or 48 mm only

Tape Roll Diameter – Up to 4-1/2 inches [115 mm] maximum on a 1 inch [25.4 mm] diameter core.

Overall Dispenser Dimensions:

Length – 10 inches [255 mm]
Height – 9 3/4 inches [250 mm]
Width – 3 1/4 inches [85 mm]

Weight:

Packaged – 2.1 lbs. [0.95 kg]
Unpackaged – 1.7 lbs. [0.77 kg]

Loading Instructions

Open roll retainer arm and place tape roll on hub fully seating finger (A) in tape core slot so tape leader is dispensed from underneath tape roll as shown in Figure 1. Thread tape leader around applying roller (B) and back around tape roll as shown, keeping leader taut. Loop leader around rewind hub slot (C). Take up slack by rotating hub counterclockwise. Close and latch roll retainer arm.

Operating Instructions

Application: Place applying roller squarely on surface to be taped. Guide dispenser so applying roller follows desired tape path, keeping the roller in full contact with surface for proper adhesive application. To end application fully depress trigger and pull dispenser in the same direction as tape application. This breaks the adhesive. Lift unit from surface with trigger depressed. Release trigger and unit is ready for next application.

Maintenance

Preventative Measures

Avoiding adhesive build-up in mechanism is the most effective form of maintenance.

1. Taking care in threading and operating dispenser reduces cleanup and replacement parts requirements.
2. Assure applying roller is in contact with product so adhesive fully transfers and is not carried into unit.
3. Controlled application of silicone spray products can be used on gears to prevent adhesive build-up. This is only recommended for certain product applications where complete transfers of adhesive cannot be accomplished.

Note: Take care that silicone spray does not contact rubber rollers, adhesive transfer tape or product.

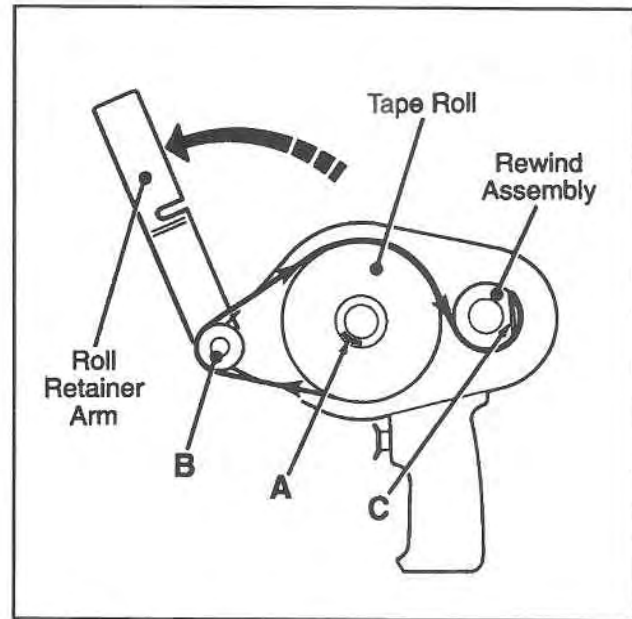


Figure 1 – Tape Threading

Cleaning

1. Disassemble unit as required – refer to Figure 2.
2. Remove excess adhesive by hand. Metal and plastic parts can also be cleaned using isopropyl alcohol, heptane or similar solvent.

Note: Follow solvent manufacturer's recommended use instructions.

Do not use solvent on rubber rollers or labels.

3. Reassemble unit – lubricating shafts with film of light oil.

Note: Do not lubricate friction washer in rewind assembly.

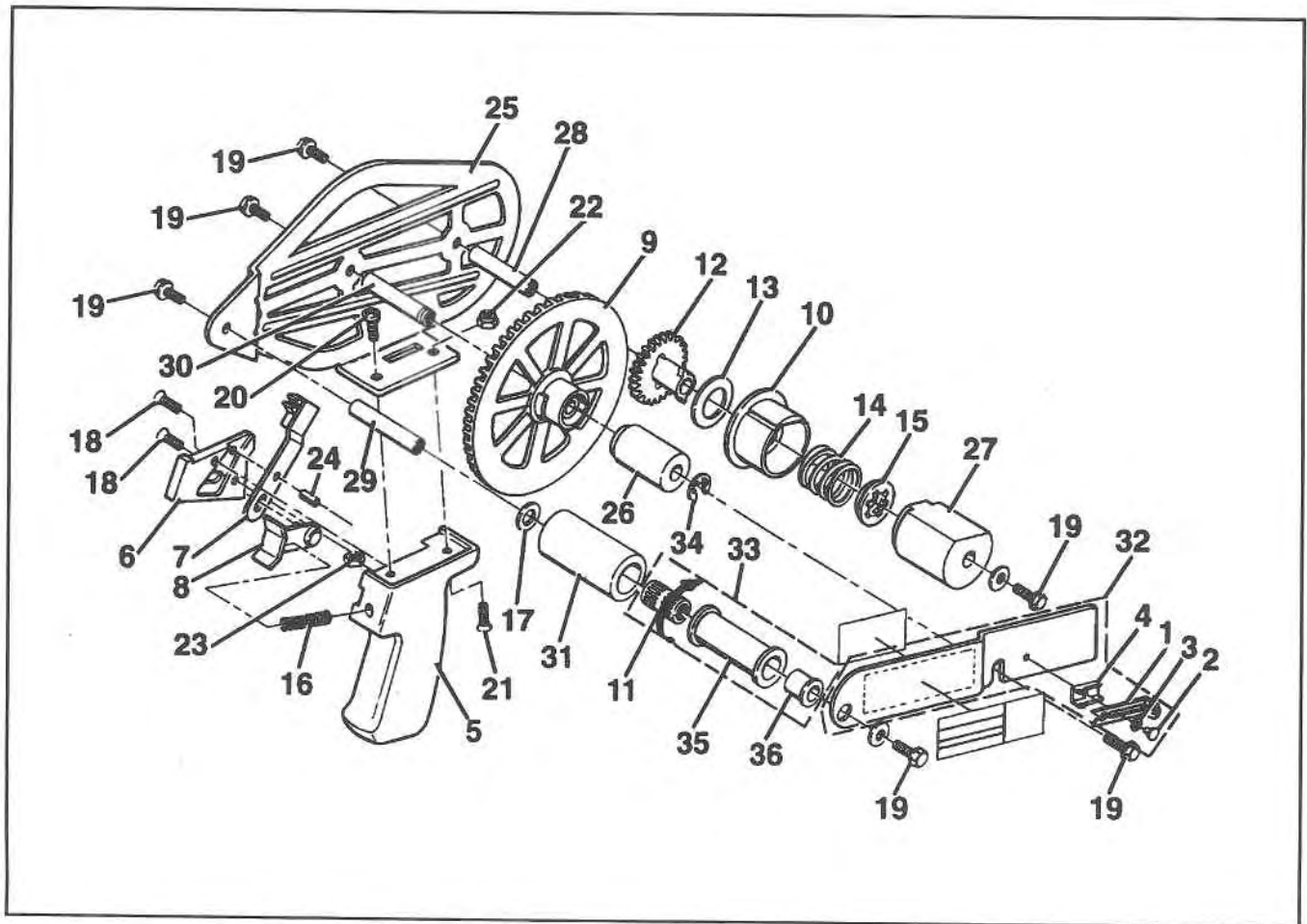


Figure 2 – Replacement Parts Illustration

Replacement Parts List

Ref. No.	Part Number	Description
1	26-1003-6223-0	Latch, Dimco-Gray, P/N 2-L
2	26-1003-6224-8	Rivet, Dimco-Gray, P/N 2-R-078
3	26-1003-6226-3	Washer, Dimco-Gray, P/N 2-W
4	26-1003-6221-4	Guide, Dimco-Gray, P/N 2-G
5	78-8023-2593-2	Handle
6	78-8023-2592-4	Cover – Handle Side
7	78-8023-2599-9	Lever – Release Assy.
8	78-8023-2597-3	Trigger
9	78-8023-2532-0	Gear – Large, With Hub
10	78-8023-2585-8	Spool – Rewind
11	78-8002-4779-9	Clutch – Mech, Positive Type, Roller Dr. Actn, G-PRPS Actuation, Torrington RCB-061014
12	78-8018-7527-5	Gear – Rewind
13	78-8018-7630-7	Washer – Friction
14	78-8018-7642-2	Spring – Compression
15	78-8046-8380-9	Retainer – Spring
16	26-1003-5905-3	Spring – Compression, Lee
17	78-8163-0115-0	Washer – Thurst, "OILITE" TT-604
18	26-1002-4903-1	Screw – Self Tap, Thd Flat Phil Hd, 6-19 x 1/2 Lg. Plastite
19	26-1004-6827-6	Screw – Mach, Hex Washer Hd, #10-32 NC x 3/8 Lg.
20	26-1002-5228-2	Screw – Mach, Pan Phil Hd, 8-32 x 1/2 Lg
21	26-1002-5320-7	Screw – Mach, Flat Phil Hd, 8-32 x 5/8 Lg.
22	70-8000-4520-8	Nut – Lt. Hex, Full Ht, 8-32 SPS 23FA-832
23	78-8032-0102-5	Nut – Mach Scr. Hex 8-32
24	18-9220-8500-8	Pin – Dowel, 1/8 x 1/2 Lg.
25	78-8042-3139-3	Frame
26	78-8042-3145-0	Hub – Tape
27	78-8042-3146-8	Plug – Rewind
28	78-8042-3147-6	Shaft – Rewind
29	78-8042-3144-3	Shaft – Applying Roller
30	78-8042-3148-4	Shaft – Tape
31	78-8042-3143-5	Sleeve – Applying Roller
32	78-8042-3162-5	Arm Assy, Roll Retainer
33	78-8042-3149-2	Roller – Applying Assy.
34	78-8656-4003-7	E-Ring – External "TRU-ARC" #5133-37
35	78-8042-3142-7	Hub – Applying Roller
36	78-8005-8961-2	Bearing, Flange "OILITE" #607-3

How To Order Replacement Parts

1. Refer to Parts Illustration Figure 2 to find part needed and reference number.
2. Refer to parts list for correct part number.
3. Order by part number, description, dispenser name and model number.
4. Replacement parts and part prices available direct from:

3M/Tape Dispenser Parts
241 Venture Drive
Amery, WI 54001-1325

1-800/344 9883
FAX# 715/268 8153

**Minimum billing on parts orders will be \$25.00.
Replacement part prices available on request.
\$10.00 restocking charge per invoice on
returned parts.**

5. Machine repair service ship direct to:

Tape Equipment Repair Services
241 Venture Drive
Amery, WI 54001-1325

IMPORTANT NOTICE: User is responsible for determining whether the Scotch brand tape dispensing equipment is fit for a particular purpose and suitable for user's method of application.

LIMITED WARRANTY: 3M warrants for 90 days from the date of delivery that the "Scotch" brand tape dispensing equipment shall be free of defects in material and manufacture. **3M MAKES NO OTHER WARRANTIES, EXPRESS OR IMPLIED, INCLUDING, BUT NOT LIMITED TO, ANY IMPLIED WARRANTY OF MERCHANTABILITY OR FITNESS FOR A PARTICULAR PURPOSE.** This Limited Warranty does not cover routine maintenance, normal wear and tear, or damage resulting from accident, misuse, alteration, corrosion, lack of reasonable care, service performed by an unauthorized repair service, use of unauthorized replacement parts or accessories, or installation, operation, or maintenance not in accordance with 3M recommended procedures.

LIMITATION OF REMEDIES AND LIABILITY: If the Scotch brand tape dispensing equipment is proved to be defective during the warranty period, **THE EXCLUSIVE REMEDY, AT 3M's OPTION, SHALL BE TO REFUND THE PURCHASE PRICE OF OR TO REPAIR OR REPLACE THE DEFECTIVE EQUIPMENT,** provided that the equipment, at 3M's choice, is returned immediately to 3M or an authorized service representative designated by 3M, or made available at user's premises in a location suitable for servicing. 3M shall not otherwise be liable for any loss or damages, whether direct, indirect, special, incidental, or consequential, regardless of the legal theory asserted, including negligence, contract, warranty, or strict liability.

3M

3M Bonding Systems Division
3M Center, Building 220-8E-04
St. Paul, MN 55144-1000

"Scotch" is a trademark of 3M,
St. Paul, Minnesota 55144-1000

Litho U.S.A.

© 3M 1999 34-7004-7277-1 (G119 0)