

# **POWERMATIC®**

## **Operating Instructions and Parts Manual 15-inch Planer Models 15S and 15HH**



**Powermatic**  
427 New Sanford Road  
LaVergne, Tennessee 37086, USA  
Ph.: 800-274-6848  
[www.powermatic.com](http://www.powermatic.com)

**Part No. M-0460286**  
Revision G 06/2017  
ECR 161019105259  
Copyright © 2017 Powermatic

# Warranty and Service

Powermatic warrants every product it sells against manufacturers' defects. If one of our tools needs service or repair, please contact Technical Service by calling 1-800-274-6846, 8AM to 5PM CST, Monday through Friday.

## Warranty Period

The general warranty lasts for the time period specified in the literature included with your product or on the official Powermatic branded website.

- Powermatic products carry a limited warranty which varies in duration based upon the product. (See chart below)
- Accessories carry a limited warranty of one year from the date of receipt.
- Consumable items are defined as expendable parts or accessories expected to become inoperable within a reasonable amount of use and are covered by a 90 day limited warranty against manufacturer's defects.

## Who is Covered

This warranty covers only the initial purchaser of the product from the date of delivery.

## What is Covered

This warranty covers any defects in workmanship or materials subject to the limitations stated below. This warranty does not cover failures due directly or indirectly to misuse, abuse, negligence or accidents, normal wear-and-tear, improper repair, alterations or lack of maintenance. Powermatic woodworking machinery is designed to be used with Wood. Use of these machines in the processing of metal, plastics, or other materials outside recommended guidelines may void the warranty. The exceptions are acrylics and other natural items that are made specifically for wood turning.

## Warranty Limitations

Woodworking products with a Five Year Warranty that are used for commercial or industrial purposes default to a Two Year Warranty. Please contact Technical Service at 1-800-274-6846 for further clarification.

## How to Get Technical Support

Please contact Technical Service by calling 1-800-274-6846. **Please note that you will be asked to provide proof of initial purchase when calling.** If a product requires further inspection, the Technical Service representative will explain and assist with any additional action needed. Powermatic has Authorized Service Centers located throughout the United States. For the name of an Authorized Service Center in your area call 1-800-274-6846 or use the Service Center Locator on the Powermatic website.

## More Information

Powermatic is constantly adding new products. For complete, up-to-date product information, check with your local distributor or visit the Powermatic website.

## How State Law Applies

This warranty gives you specific legal rights, subject to applicable state law.

## Limitations on This Warranty

POWERMATIC LIMITS ALL IMPLIED WARRANTIES TO THE PERIOD OF THE LIMITED WARRANTY FOR EACH PRODUCT. EXCEPT AS STATED HEREIN, ANY IMPLIED WARRANTIES OF MERCHANTABILITY AND FITNESS FOR A PARTICULAR PURPOSE ARE EXCLUDED. SOME STATES DO NOT ALLOW LIMITATIONS ON HOW LONG AN IMPLIED WARRANTY LASTS, SO THE ABOVE LIMITATION MAY NOT APPLY TO YOU. POWERMATIC SHALL IN NO EVENT BE LIABLE FOR DEATH, INJURIES TO PERSONS OR PROPERTY, OR FOR INCIDENTAL, CONTINGENT, SPECIAL, OR CONSEQUENTIAL DAMAGES ARISING FROM THE USE OF OUR PRODUCTS. SOME STATES DO NOT ALLOW THE EXCLUSION OR LIMITATION OF INCIDENTAL OR CONSEQUENTIAL DAMAGES, SO THE ABOVE LIMITATION OR EXCLUSION MAY NOT APPLY TO YOU.

Powermatic sells through distributors only. The specifications listed in Powermatic printed materials and on the official Powermatic website are given as general information and are not binding. Powermatic reserves the right to effect at any time, without prior notice, those alterations to parts, fittings, and accessory equipment which they may deem necessary for any reason whatsoever.

## Product Listing with Warranty Period

90 Days – Parts; Consumable items
1 Year – Motors, Machine Accessories
2 Year – Woodworking Machinery used for industrial or commercial purposes
5 Year – Woodworking Machinery

NOTE: Powermatic is a division of JPW Industries, Inc. References in this document to Powermatic also apply to JPW Industries, Inc., or any of its successors in interest to the Powermatic brand.

# Table of Contents

Warranty and Service.....	2
Table of Contents.....	3
Warning.....	4
Features.....	6
Specifications.....	6
Unpacking.....	7
Installation and Assembly.....	8
Handwheel.....	8
Starter Box.....	8
Extension Tables.....	9
Dust Hood.....	9
Electrical Connections.....	9
Extension Cords.....	10
Adjustments.....	10
Belt Tension.....	10
Pulley Alignment.....	11
Table Rollers.....	11
Cutterhead.....	12
Replacing Knives (Model 15S only).....	12
Replacing or Rotating Knife Inserts (Model 15HH only).....	13
Work Table Parallel to Cutterhead.....	14
Know the Transmitting Rollers of Your Planer.....	14
Anti-Kickback Fingers.....	15
Infeed and Outfeed Roller Spring Tension.....	15
Height of Infeed Roller, Chipbreaker and Outfeed Roller.....	15
Outfeed Roller Height.....	16
Infeed Roller Height.....	16
Chipbreaker Height.....	16
Chip Deflector.....	17
Feed Speed Control.....	17
Stock Return Rollers.....	17
Depth of Cut.....	18
Maintenance.....	18
Lubrication.....	18
Functions of the Digital Scale (Model 15S only).....	20
Troubleshooting: Performance Problems.....	23
Troubleshooting: Mechanical and Electrical Problems.....	24
Troubleshooting: Digital Scale – Model 15S only.....	26
Switch Lock.....	26
Optional Accessories.....	26
Replacement Parts.....	26
Head Assembly.....	27
Parts List: Head Assembly.....	28
Base Assembly.....	30
Table Assembly.....	32
Parts List: Table Assembly.....	33
Gearbox Assembly.....	34
Parts List: Gearbox Assembly.....	35
Cabinet Assembly.....	36
Parts List: Cabinet Assembly.....	37
Electrical Connections – Single Phase, 230 Volt.....	38

# Warnings

As with all machines, there is a certain amount of hazard involved with the use of this planer. Use the machine with the respect and caution demanded where safety precautions are concerned. When normal safety precautions are overlooked or ignored, personal injury to the operator can result.

**Read, understand and follow** the safety and operating instructions found in this manual. Know the limitations and hazards associated with this machine.

**Electrical grounding.** Make certain that the machine frame is electrically grounded and that a ground lead is included in the incoming electrical service. In cases where a cord and plug are used, make certain that the grounding plug connects to a suitable ground. Follow the grounding procedure indicated in the National Electrical Code. If connected to a circuit protected by fuses, use time delay fuse marked "D".

**Eye safety.** Wear an approved safety shield, goggles, or glasses to protect eyes. (NOTE: Common eyeglasses are only impact-resistant, they are not safety glasses.)

**Personal protection.** Before operating the machine, remove tie, rings, watch and other jewelry and roll up sleeves above the elbows. Remove all loose outer clothing and confine long hair. Protective type footwear should be used. Where the noise exceeds the level of exposure allowed in Section 1910.95 of the OSHA Regulations, use hearing protective devices. Do not wear gloves.

**Guards.** Keep the machine guards in place for every operation for which they can be used. If any guards are removed for maintenance, DO NOT OPERATE the machine until the guards are reinstalled.

**Placement.** Place machine so that potential kickback area is not in line with aisles, doorways, wash stations, or other work areas. Do not expose machine to rain or use in damp locations.

**Work area.** Keep the floor around the machine clean and free of scrap material, saw dust, oil and other liquids to minimize the danger of tripping or slipping. Be sure the table is free of all scrap, foreign material and tools before starting to cut. Make certain the work area is well lighted and that a proper exhaust system is used to minimize dust. It is recommended that anti-skid floor strips are used on the floor area where the operator normally stands and that each machine's work area be marked off. Provide adequate work space around the machine.

**Avoid accidental starting:** Make certain motor switch is in off position before connecting power to the machine.

**Operator position.** Maintain a balanced stance and keep your body under control at all times. Stand to one side out of line with the table and make sure no one else is standing in line with the table.

**Housekeeping.** Before turning on machine, remove all extra equipment such as keys, wrenches, scrap, and cleaning rags away from the machine

**Careless acts.** Give the work you are doing your undivided attention. Looking around, carrying on a conversation, and "horseplay" are careless acts that can result in serious injury.

**Disconnect machine** before performing any service or maintenance or when changing blades. A machine under repair should be RED TAGGED to show it should not be used until the maintenance is complete.

**Maintain tools in top condition.** Keep tools sharp and clean for safe and best performance. Dull tools increase noise levels and can cause kickbacks and glazed surfaces. Check the condition and adjustment of the tools before making any cuts. Follow the sharpening instructions on knife grinding and jointing, installing and adjustments.

**Hand safety.** Keep hands outside the machine. NEVER reach under the guards to try to clear stock that stops feeding. Do not clear chips and sawdust with hands; use a brush. Do not have any part of the hands under that part of the board that is over the table when starting a cut; the infeed roll will engage the board and force it down against the table causing a pinching action. Do not operate machine while the gear cover is open.

**Cutterhead rotation:** Be sure cutterhead rotates under power in a counterclockwise direction when viewed from the main drive motor side.

**Material condition:** Do not plane boards with loose knots or with nails or any foreign material on its surface. Knife impact on these objects can cause the knives to be pulled out and cause them to shatter against the chipbreaker or pressure bar. Twisted, warped, or in wind stock should first be jointed on one surface before attempting to plane a parallel surface on the planer. Serious stock flaws cannot be removed by use of a planer alone.

**Machine adjustments:** Make all machine adjustments with power off except feed rate.

**Avoid kickback:** To avoid kickbacks, use this machine for single board surfacing only. Never make cuts deeper than 1/8 inch (3mm).

**Job completion.** If the operator leaves the machine area for any reason, the planer should be turned "off" and the cutterhead should come to a complete stop before his departure. In addition, if the operation is complete, he should clean the planer and the work area. Never clean the planer with power "on" and never use the hands to clear sawdust and debris; use a brush.

**Replacement parts.** Use only Powermatic or factory authorized replacement parts and accessories; otherwise the warranty and guarantee is null and void.

**Misuse.** Do not use this planer for other than its intended use. If used for other purposes, Powermatic disclaims any real or implied warranty and holds itself harmless for any injury or damage which may result from that use.

**If you are not** thoroughly familiar with the operation of planers, obtain advice from your supervisor, instructor or other qualified person.

**Drugs, alcohol, medication.** Do not operate this machine while under the influence of drugs, alcohol, or any medication.

**Health hazards.** WARNING: Drilling, sawing, sanding or machining wood products generates wood dust and other substances known to the State of California to cause cancer. Avoid inhaling dust generated from wood products or use a dust mask or other safeguards to avoid inhaling dust generated from wood products.

Wood products emit chemicals known to the State of California to cause birth defects or other reproductive harm. (California Health and Safety Code Section 25249.6)

**Familiarize yourself with the following safety notices used in this manual:**

**CAUTION** This means that if precautions are not heeded, it may result in minor injury and/or possible machine damage.

**WARNING** This means that if precautions are not heeded, it may result in serious injury or possibly even death.

# Features

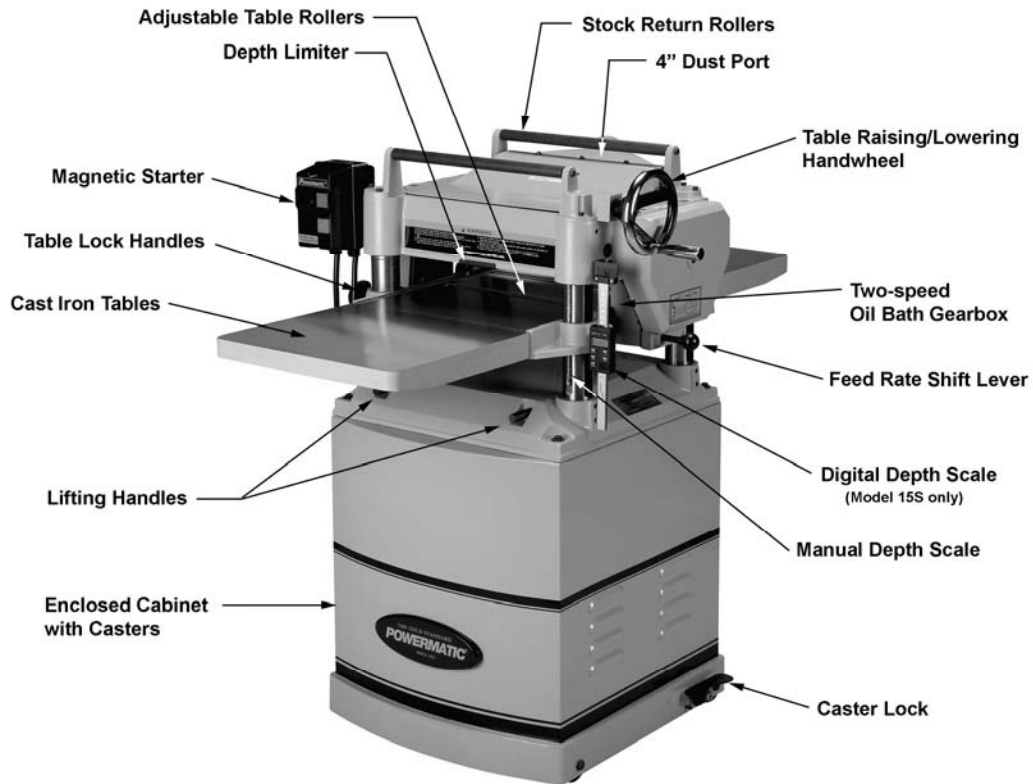


Figure 1

# Specifications

Model Number.....	<b>15S</b> .....	<b>15HH</b>
Stock Number .....	1791210.....	1791213
Maximum Cutting Width (in.).....	14-7/8.....	14-7/8
Maximum Cutting Thickness (in.).....	6.....	6
Full Width Cutting Depth (in.).....	1/8.....	1/8
Minimum Planing Length (in.) .....	8.....	8
Minimum Stock Thickness (in.) .....	3/16.....	3/16
Table movement per one revolution of handwheel .....	0.079" (2mm).....	0.079" (2mm)
Knives .....	3 .....	74 four-sided inserts
Number of cutterhead rows .....	-- .....	5
Cutterhead Speed (RPM).....	4,500.....	4,500
Cuts per Minute .....	13,500.....	not applicable
Cutterhead Diameter (in.).....	2-7/8.....	2-7/8
Sound Rating @ 2" distance (dB) .....	82 to 85.....	80 to 84
Knife Insert Screw Max. Torque (pound force–inch).....	---- .....	45 to 55
Feed Rate (FPM) .....	16 and 20.....	16 and 20
Motor .....	TEFC,3HP,1Ph,230V,60Hz,15A.....	TEFC,3HP,1Ph,230V,60Hz,15A
Recommended circuit <sup>1</sup> .....	30A.....	30A
Dust Chute Diameter (in.) .....	4.....	4
Overall Dimensions, Assembled (LxWxH)(in.) .....	48 x 28 x 43-1/2.....	48 x 28 x 43-1/2
Cabinet Footprint, including foot pedal (LxW)(in.).....	23-1/2 x 23.....	23-1/2 x 23
Net Weight (lbs.) .....	507.....	502
Shipping Weight (lbs.).....	573.....	568

<sup>1</sup>Subject to local and national electrical codes

The above specifications were current at the time this manual was published, but because of our policy of continuous improvement, Powermatic reserves the right to change specifications at any time and without prior notice, without incurring obligations.

# Unpacking

Open container and check for shipping damage. Report any damage immediately to your distributor and shipping agent. Do not discard any shipping material until the Planer is assembled and running properly.

Compare the contents of your container with the following list to make sure all parts are intact. Report any missing parts to your distributor. Read this owner's manual thoroughly for assembly, maintenance and safety instructions.

## Crate Contents (Figure 2):

- 1 Planer (not shown)
- 1 Dust hood
- 2 Cast iron extension tables
- 1 Handwheel
- 1 Handle
- 4 Hex wrenches (3, 4, 5 and 6mm)\*
- 2 Open-end wrenches (8-10, 12-14mm)\*
- 3 Bags of fasteners\* – see below
- 1 Owner's manual (not shown)
- 1 Warranty card (not shown)

### Model 15S only:

- 1 T-handle hex wrench (4mm)\*
- 2 Adjustment pins\*

### Model 15HH ONLY (Figure 4):

- 1 1/4" Drive Screwdriver
- 1 T25P Torx Plus Drive Socket Adaptor
- 1 Set of 10 Knife Inserts

### Contents of fastener bags\* (Figure 3):

- A – (for installing handwheel)
- 1 Direction label
  - 1 Hex nut
  - 1 Flat washer
  - 1 Key

- B – (for installing extension tables)
- 6 Hex cap screws, M8x25
  - 6 Socket set screws, M8x20

- C – (for installing dust hood)
- 3 Socket head cap screws, M6x12
  - 3 Lock washers, M6
  - 3 Hex cap screws, M5x10
  - 3 Flat washers, M5

\*indicates parts included in hardware kit 15S-HK

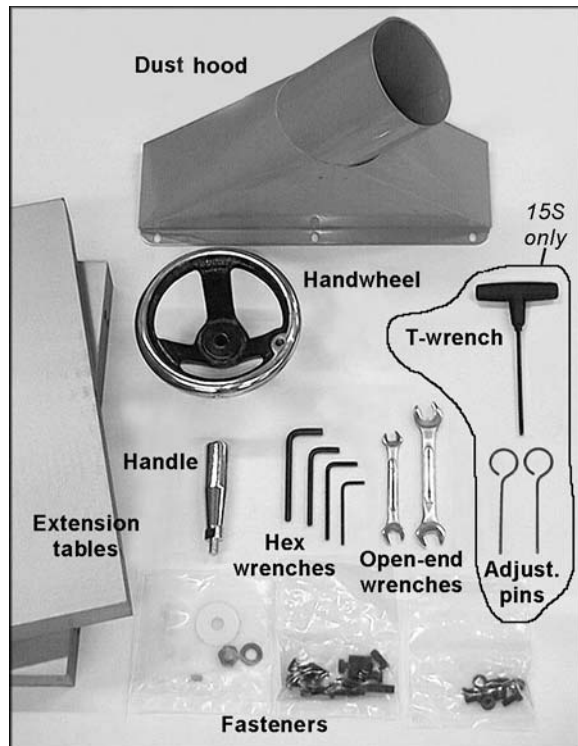


Figure 2

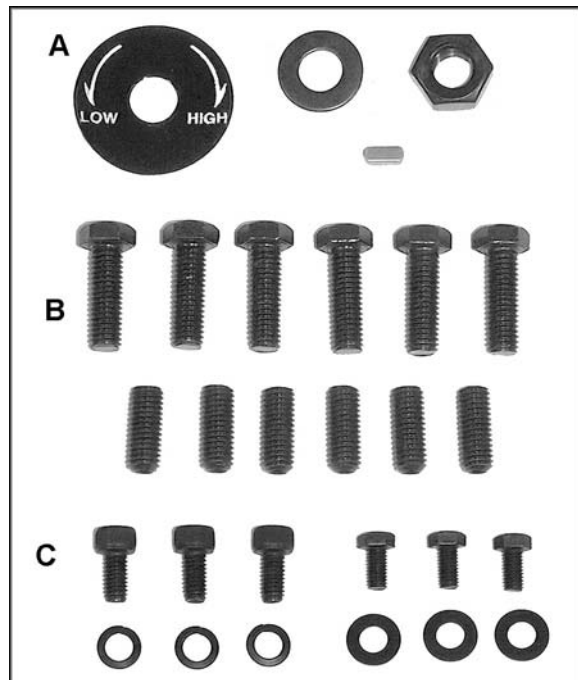


Figure 3

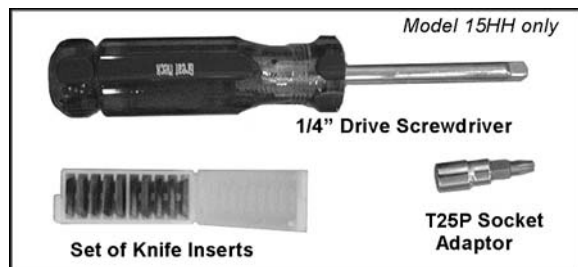


Figure 4

# Installation and Assembly

## Tools required for assembly:

- Forklift or hoist with slings
- 10-12, 12-14mm open-end wrenches (provided)
- 4 and 5mm hex wrenches (provided)
- 16mm open-end wrench

Remove the screws holding the planer to the pallet and use a forklift or hoist to lift the planer off the pallet. Forks and straps should always be placed under the four lifting handles when lifting this machine (Figure 5). The lifting handles can be pushed back in when not in use.

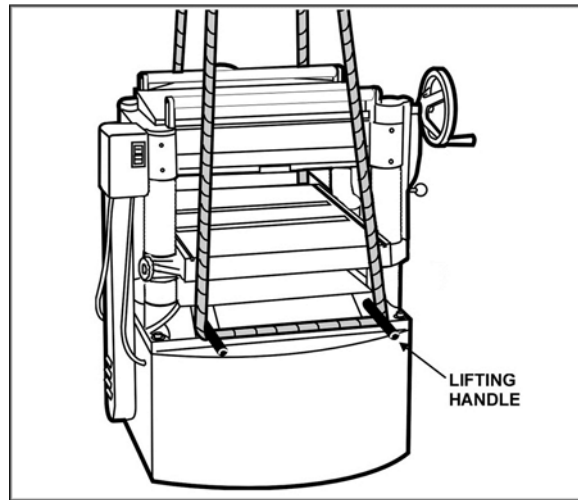


Figure 5

The planer should be operated in a well-lit area with good ventilation. It can be rolled on its casters to the desired location. Press the foot pedal (Figure 6) to prevent movement during operation or adjustments.

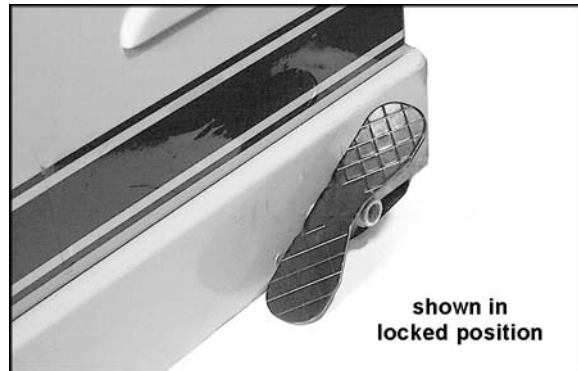


Figure 6

Exposed surfaces, such as tables, rollers, cutterhead, etc., have been given a protective coating at the factory. This should be removed with a soft cloth moistened with a good commercial solvent. Do not use acetone, gasoline, lacquer thinner, or other solvents with a low flash point. Do not use an abrasive pad because it may scratch the polished cast iron surfaces.

**CAUTION** Use care when cleaning around the cutterhead area – knives are extremely sharp!

## Handwheel

1. Place the key into the slot on the shaft (Figure 7), and mount the handwheel to the shaft, making sure it is oriented so it slips over the key.
2. Peel off the backing of the directional label, and attach it to the center of the handwheel. Place flat washer and hex nut on shaft and tighten with 16mm wrench.
3. Mount the handle in the threaded hole in the handwheel, and tighten with a 12mm wrench placed over the flat on the handle.

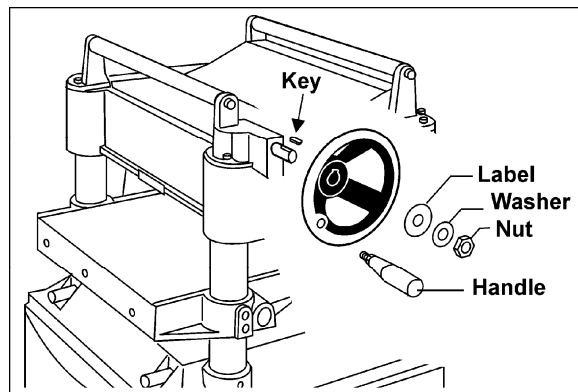


Figure 7

## Starter Box

Mount the controls as shown in Figure 8, with the two socket head cap screws which you'll find mounted to the head casting. Use a 5mm hex wrench.

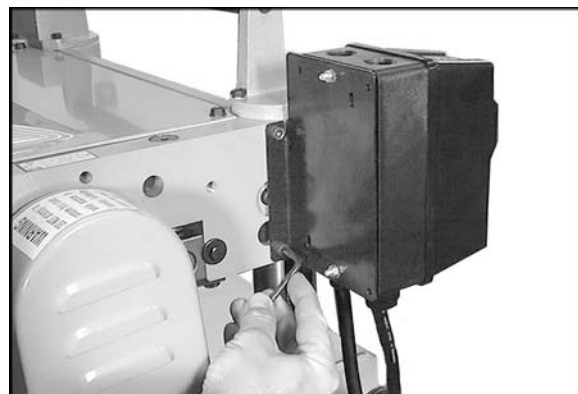


Figure 8



## Extension Tables

1. Mount a cast iron table to the edge of the main table with three M8 x 25 hex cap screws (Figure 9) using a 12mm wrench. Do not fully tighten yet.
2. The extension table must be leveled with the main table. Place a straight edge (such as a jointed board) across the extension table and the main table.

NOTE: The straight edge should not lie over the raised table rollers, as this would distort the leveling process. Either place the straight edge just short of the table rollers, or lower the table rollers completely into the table (see page 11) while mounting the extension tables.

3. Insert three socket set screws with a 4mm hex wrench, and screw them in or out as needed until tables are level.
4. Securely tighten the hex cap screws.
5. Mount the second extension table to the opposite side of the planer table, using the same procedure.

## Dust Hood

Mount the dust hood to the rear of the head casting with three M6 x 12 socket head cap screws with lock washers, and three M5 x 10 hex cap screws with flat washers. See Figure 10.

It is recommended that you use a dust collection system with this planer. If you are not using a dust collection system, do not attach the dust hood to the planer, as the accumulation of dust inside the hood may create a safety hazard, or eventually cause jamming of the rollers.

## Electrical Connections

**⚠WARNING** Electrical connections must be made by a qualified electrician in compliance with all relevant codes. The machine must be properly grounded to help prevent electrical shock and possible fatal injury.

A power plug is not provided with the 15S or 15HH planers. You may either connect a 230 volt plug or "hard-wire" the machine directly to your electrical panel provided there is a disconnect near the machine. Consult electrical schematic on page 38 for further clarification of wiring setup.

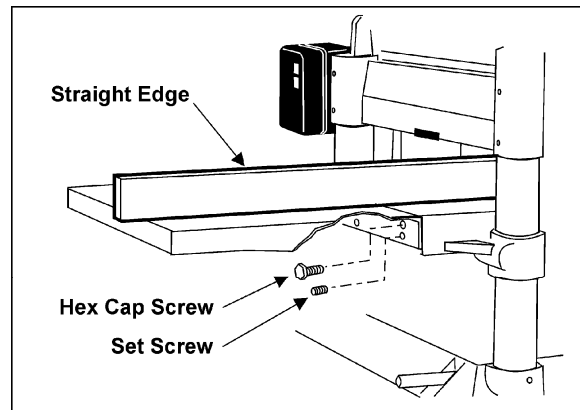


Figure 9

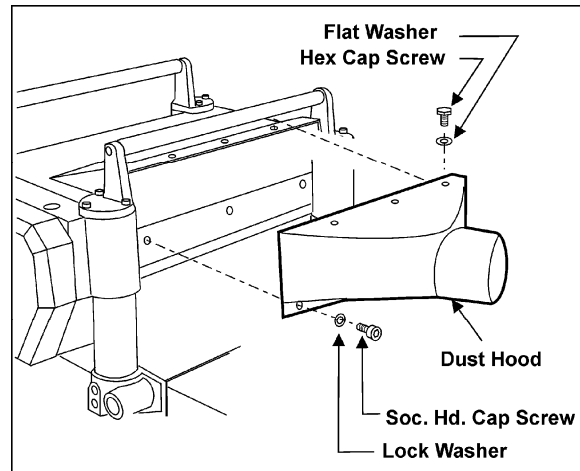


Figure 10

It is recommended that the 15S or 15HH Planer be connected to a dedicated, minimum 30 amp circuit with a 30 amp circuit breaker or time delay fuse. **Local codes take precedence over recommendations.**

This machine must be grounded. Grounding provides a path of least resistance to help divert current away from the operator in case of electrical malfunction.

Make sure the voltage of your power supply matches the specifications on the motor plate of the machine.

## Extension Cords

The use of an extension cord is not recommended for this machine, but if one is necessary make sure the cord rating is suitable for the amperage listed on the machine's motor plate. An undersized cord will cause a drop in line voltage resulting in loss of power and overheating.

The chart in Figure 11 shows the correct size cord to use based on cord length and motor plate amp rating. If in doubt, use the next heavier gauge. The smaller the gauge number the heavier the cord.

## Recommended Gauges (AWG) of Extension Cords

Amps	Extension Cord Length *					
	25 feet	50 feet	75 feet	100 feet	150 feet	200 feet
< 5	16	16	16	14	12	12
5 to 8	16	16	14	12	10	NR
8 to 12	14	14	12	10	NR	NR
12 to 15	12	12	10	10	NR	NR
15 to 20	10	10	10	NR	NR	NR
21 to 30	10	NR	NR	NR	NR	NR

\*based on limiting the line voltage drop to 5V at 150% of the rated amperes.

NR: Not Recommended.

Figure 11

## Adjustments

### Tools required for assembly:

- 10, 12 and 17mm open-end wrenches
- 3, 5 and 6mm hex wrenches
- 0.020" (0.5mm) feeler gauge
- straight edge
- gauge block
- cross-point screwdriver

**⚠WARNING** Disconnect machine from power source before making any adjustments (except feed rate).

## Belt Tension

Inspect the tension of the belts frequently during the first few times you use the planer. Belts often stretch during this trial period. If they require tightening, proceed as follows:

1. Remove the belt guard and the rear panel.
2. Loosen the bottom nut on the motor adjustment screw (Figure 12) with a 17mm wrench.
3. Turn the top nut on the adjustment screw to lower the motor plate, which will increase the belt tension.
4. Proper tension is achieved when there is slight deflection in the belt midway between the pulleys, using moderate finger pressure.
5. Tighten the bottom nut on the adjustment screw (Figure 12).

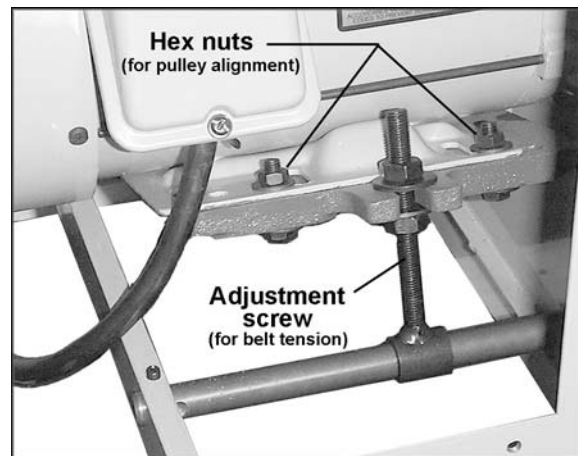


Figure 12

## Pulley Alignment

The pulleys should be in line for proper belt operation.

1. Remove the belt guard and place a straight edge against the faces of both pulleys (Figure 13).
2. If the straight edge does not lie flat on both pulley faces, open the rear panel and loosen the four hex nuts on the motor plate (see Figure 12) with a 12mm wrench.
3. Nudge the motor left or right until the pulleys are in alignment.
4. Tighten hex nuts and replace covers.

## Table Rollers

Your planer is supplied with two table rollers (Figure 14) which turn as the stock is fed into the machine, thus reducing friction. It is not possible to give exact dimensions on the proper height setting of the table rollers because each type of wood behaves differently. As a general rule, however, when planing rough stock the table rollers should be set at high position. When planing smooth stock the rollers should be set at low position.

NOTE: When raising the roller higher above the table, the range is from zero to 0.006" (Figure 15).

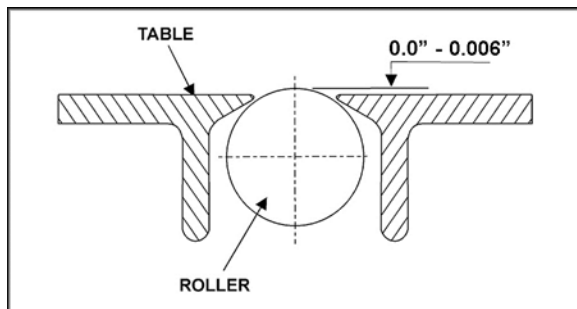


Figure 15

The table rollers are factory set for average planing and are parallel to the table surface. If you desire to adjust the table rollers higher or lower, proceed as follows:

1. Disconnect machine from power source.
2. Lay a straight edge across both rollers.
3. On one side of table, loosen set screws (Figure 16) with 3mm hex wrench, and turn eccentric shafts to raise or lower the rollers.
4. When proper height is achieved, tighten set screws.
5. Adjust the rollers from the opposite side of the table in the same manner.

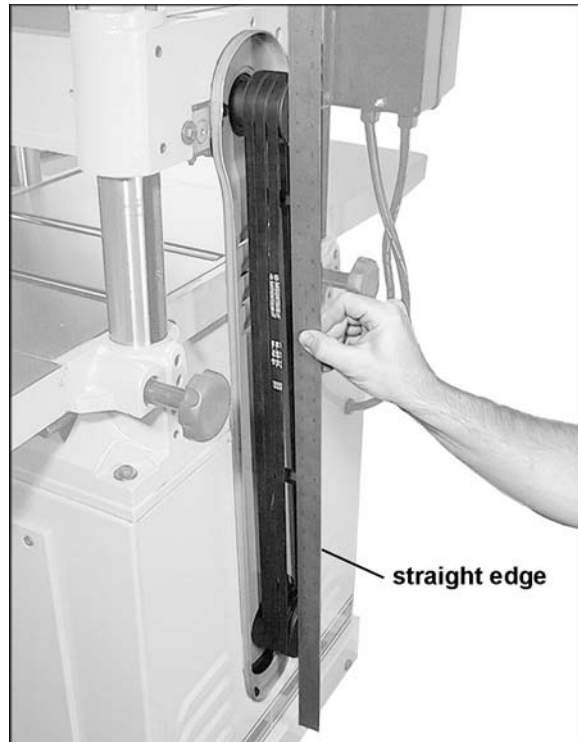


Figure 13



Figure 14

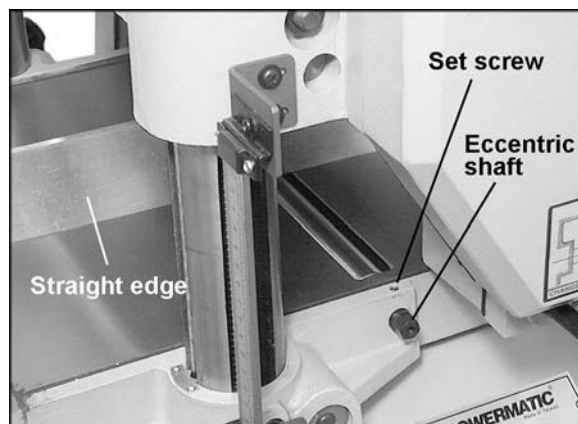


Figure 16

**IMPORTANT:** Be sure that the height of front and rear rollers are the same. And the table rollers must always be set parallel to the table.

## Cutterhead

Although your planer was carefully adjusted at the factory, it should be checked before being put into operation. Any inaccuracies due to rough handling in transit can be corrected by following the directions in this manual.

To check the adjustments you will need feeler gauges, and a dial gauge or home-made gauge block made of hardwood. This gauge block can be made by following the dimensions shown in Figure 17.

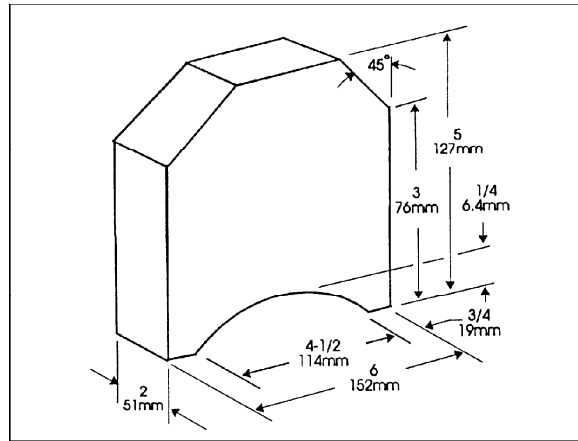


Figure 17

## Replacing Knives (Model 15S only)

**⚠WARNING** Use caution and proceed slowly when working with and around the knives – they are extremely sharp!

When dull knives are replaced, care must be exercised in setting the new knives into the cutterhead. There is a certain procedure to follow which will ensure a proper setting of knives on the 15S Planer. Proceed as follows:

1. Disconnect machine from power source.
2. Remove the dust hood and the top cover. Remove the chip deflector (Figure 28 shows the chip deflector). Remove the belt guard so you can rotate the cutterhead using the pulley.
3. Remove the gib screws with the T-handle hex wrench, as shown in Figure 18, and remove each gib one at a time.
4. Carefully remove the knife, and clean the cutterhead slot of any dust or debris.
5. Place the new knife into the cutterhead slot.
6. **IMPORTANT:** As you proceed with knife installation, make sure the wings on both ends of each hole (see Figure 18) are completely inserted into the groove in the cutterhead. Failure to do this may result in knife breakage during operation.
7. There are a total of three short gibs and twelve long gibs on the cutterhead. It is not important whether long or short gib is used in any particular location along the knife. Of course, each knife must use one short gib.
8. Put the first gib in place at the end of the cutterhead. Use the knife adjustment pins shown in Figure 19. The adjustment pins fit down through the smaller holes in the gib, knife, and cutterhead, helping to align them.

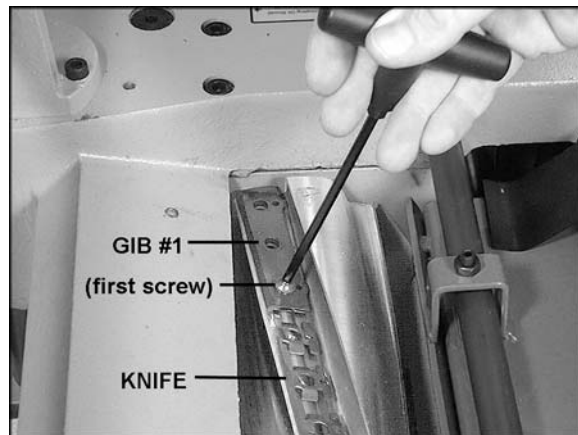


Figure 18 – Model 15S only

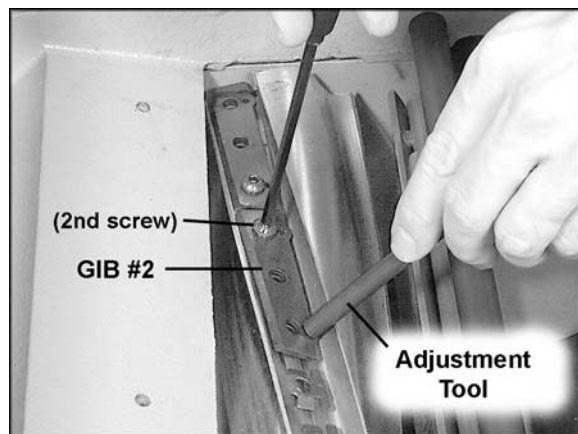


Figure 19 – Model 15S only

(You can also use any 3mm diameter tool, such as a hex wrench or drill bit for this purpose.)

9. Insert the screws for the first gib, turning them with the T-handle wrench. Do not fully tighten the screws; make them only snug enough to hold the knife in the groove.
10. Put the next gib in place, and repeat the process. See Figure 19. Use the adjustment pins and make sure the wings of the knife are completely in the cutterhead groove. Continue sequentially from one end of the cutterhead to the other end. Again, only make the screws snug enough to hold the knife in the groove.
11. When all gibs are loosely installed for one knife, rotate the cutterhead and repeat the process for each of the remaining two knives, working from one end to the other.
12. Now fully tighten all gib screws on one knife. Do this in sequential order, beginning at one end of the knife and working your way across to the other end, tightening each screw in turn.
13. Tighten all gib screws on the other two knives in the same fashion, until all gib screws on the cutterhead are firmly tightened.

(NOTE: The purpose of this incremental tightening process is to prevent any slight deflection or warpage of the cutterhead, and to ensure that the knife is completely seated into the groove.)

**⚠WARNING** After installing knives, check again carefully. Make certain all gib screws are tightened securely. Failure to heed may result in personal injury.

14. Re-install chip deflector (see “Chip Deflector”, page 17). Re-install cover with the four washer head screws, and re-install belt guard.

### Replacing or Rotating Knife Inserts (Model 15HH only)

The knife inserts on the model 15HH are four-sided. When dull, simply remove each insert, rotate it 90° for a fresh edge, and re-install it.

Use the provided driver with the socket adaptor to remove the knife insert screw. See Figure 20.

**NOTE:** A T25 adaptor or driver can round out the screw head. Always use a **T25-Plus** driver or adaptor.

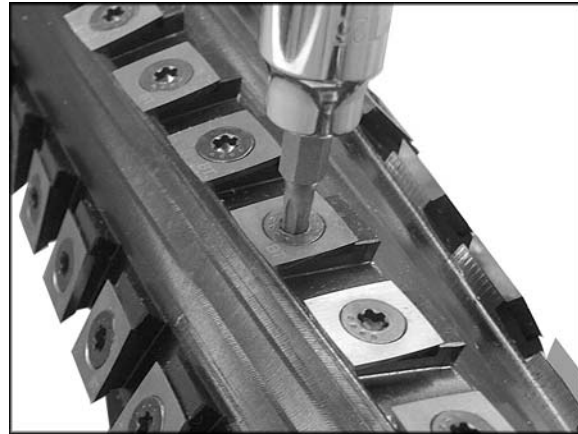


Figure 20 – Model 15HH only

It is advisable to rotate all inserts at the same time to maintain consistent cutting. However, if one or more knife inserts develops a nick, rotate only those inserts that are affected.

Each knife insert has an etched reference mark so you can keep track of the rotations.

**IMPORTANT:** When removing or rotating inserts, clean saw dust from the screw, the insert, and the cutterhead platform. Dust accumulation between these elements can prevent the insert from seating properly, and may affect the quality of the cut.

To install new knife inserts:

1. Before installing each screw, lightly coat the screw threads with machine oil and wipe off any excess.
2. Position knife insert and move it back and forth to verify there are no burrs or dirt.
3. Hold insert away from the back of the seat (pull slightly toward yourself if facing the cutting edge) and allow the screw to pull insert into position. Note: A slight offset between screw hole and hole in knife insert is normal. Do not position insert directly over screw hole, as it could ride up on the back of the seat and potentially cause cracking of the tip.
4. Securely tighten each screw which holds the knife inserts before operating the planer.

**IMPORTANT:** Maximum torque for tightening the screws is 45 to 55 inch pounds (3.75 to 4.6 foot pounds).

**⚠WARNING** Make sure all knife insert screws are tightened securely. Loose inserts can be propelled at high speed from a rotating cutterhead, causing injury.

## Work Table Parallel to Cutterhead

The work table is set parallel to the cutterhead at the factory and no further adjustment should be necessary. If your machine is planing a taper, first check to see if the knives are set properly in the cutterhead. Then check to see if the work table is set parallel to the cutterhead. Proceed as follows:

1. Disconnect machine from power source.
2. Place the gauge block (Figure 21) on the work table directly under the edge of a knife as shown. Make slight contact by gently raising table.
3. Move the gauge block to the opposite end of the work table. NOTE: Distance from the work table to edge of knife should be the same.
4. If the work table is not parallel to the cutterhead, perform the adjustment procedure as follows.
5. Remove bolts holding the planer to the stand. Carefully tilt planer on its side to expose underside of base (Figure 22).
6. Remove bolt (A, Figure 22) and loosen bolt (B, Figure 22) which will allow you to move the idler sprocket assembly (C, Figure 22) far enough to release tension on the chain.
7. Remove the chain from the particular sprocket on the corner of the base that you need to adjust.
8. Turn the sprocket by hand to bring that corner into adjustment with the other three corners. NOTE: Turning sprocket clockwise will increase the distance between the working table and the head casting; counterclockwise will decrease the distance. This adjustment is very sensitive and it should not be necessary to turn the sprocket more than one or two teeth.
9. When adjustments are correct, replace chain around corner sprocket, slide idler sprocket (C, Figure 22) back to re-tension chain, tighten bolt (B, Figure 22) and insert and tighten bolt (A, Figure 22).

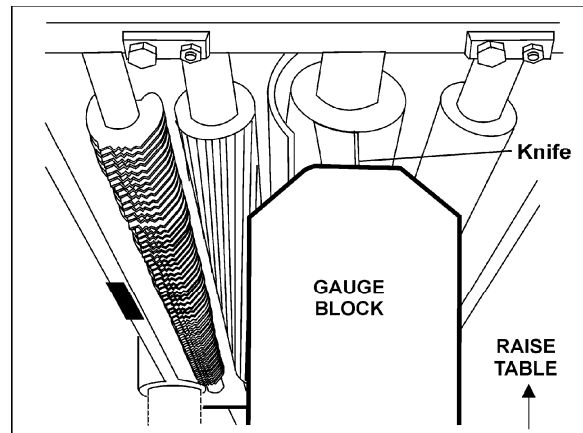


Figure 21

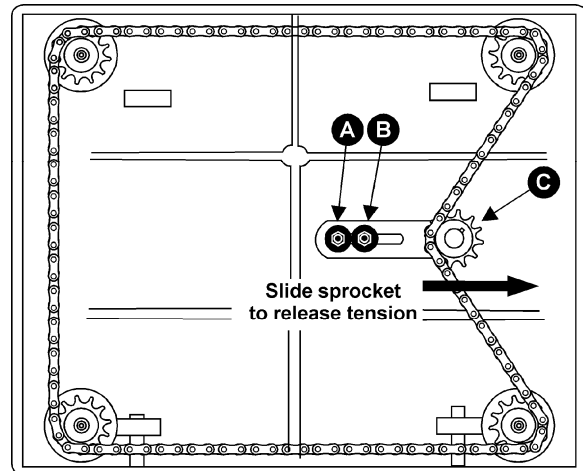


Figure 22

## Know the Transmitting Rollers of Your Planer

(Figure 23)

- A. Anti-Kickback Fingers
- B. Infeed Roller
- C. Chipbreaker
- D. Cutterhead
- E. Outfeed Roller

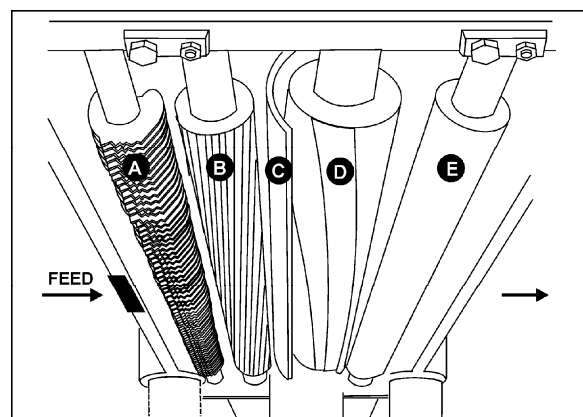


Figure 23

## Anti-Kickback Fingers

The anti-kickback fingers (A, Figure 23) are an important safety feature, as they help prevent kickback of stock. They operate by gravity and should be inspected frequently to make sure they are free of gum and pitch, so that they move independently and operate correctly.

## Infeed and Outfeed Roller Spring Tension

The infeed roller (B, Figure 23) and outfeed roller (E, Figure 23) are those parts of your planer that feed the stock while it is being planed. The infeed roller and the outfeed roller are under spring tension and this tension must be sufficient to feed the stock uniformly through the planer without slipping but should not be so tight that it causes damage to the board. The tension should be equal at both ends of each roller. Note: Contact Powermatic Technical Service before attempting any adjustments to spring tension.

## Height of Infeed Roller, Chipbreaker and Outfeed Roller

The infeed roller, chipbreaker and outfeed roller are adjusted at the factory. The height relationship between these items and the cutterhead is crucial for accurate and safe planing. The infeed roller and outfeed roller should each be set at 0.032" (0.81mm) below the arc of the cutting knives. The chipbreaker is set even with the cutting arc. See Figure 25.

If any adjustments are necessary for the infeed roller, chipbreaker, or outfeed roller, they should be done carefully. Use the following steps as an example of procedure.

NOTE: This procedure uses a home-made gauge block and feeler gauges, which should be sufficient for most planer operations. If extra precise measurements are desired, use a dial indicator device.

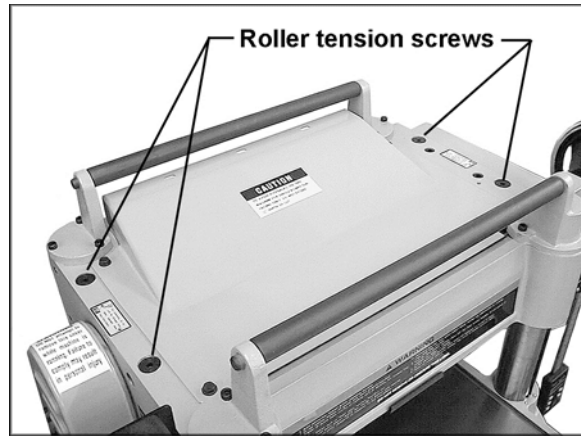


Figure 24

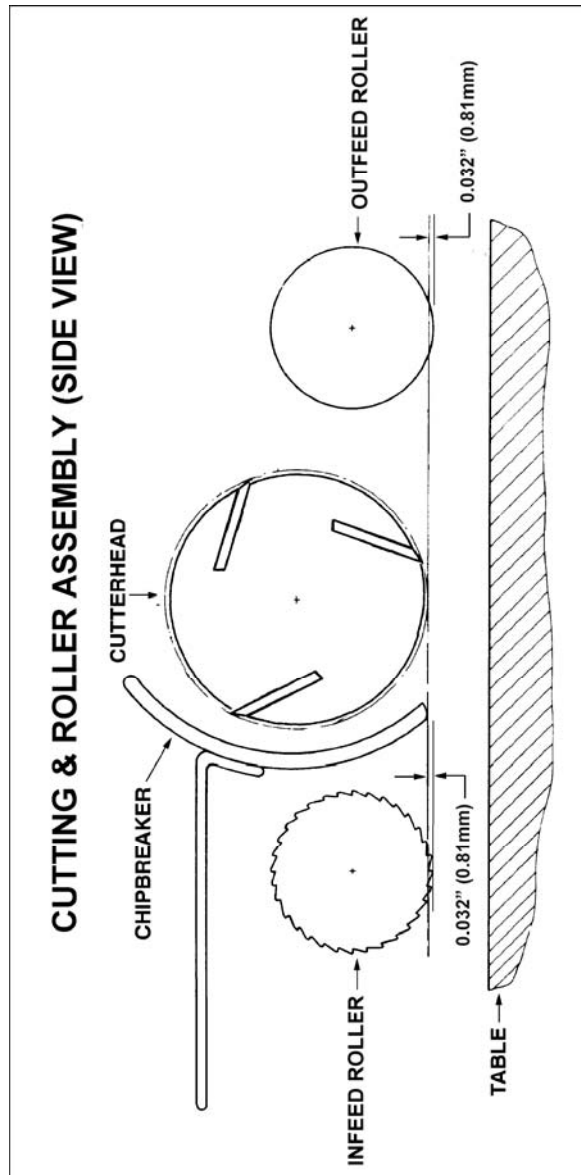


Figure 25

## Outfeed Roller Height

1. Disconnect machine from power source.
2. Make sure the knives are set properly as previously explained under "Knife Adjustment."
3. Place the gauge block (F, Figure 26) on the table directly beneath the cutterhead (D, Figure 26).
4. Using a 0.032" (0.81mm) feeler gauge (G, Figure 26) placed on top of the gauge block, raise the work table until the knife just touches the feeler gauge when the knife is at its lowest point. Do not move the work table any further until the outfeed roller is adjusted.
5. Remove the feeler gauge and move the gauge block (F, Figure 27) under one end of the outfeed roller. The bottom of the outfeed roller should just touch the top of the gauge block. If an adjustment to the outfeed roller is necessary, loosen the lock nut (J, Figure 27) and turn screw (H, Figure 27) until the outfeed roller just touches the gauge block. Then tighten lock nut (J, Figure 27).
6. Check and adjust the opposite end of the outfeed roller in the same manner.

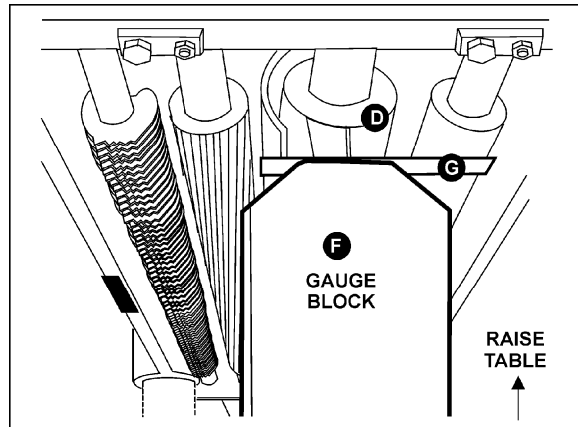


Figure 26

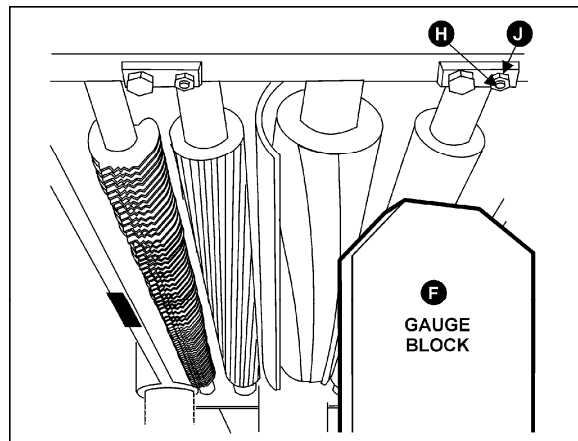


Figure 27

## Infeed Roller Height

Use the exact same procedure for checking the infeed roller as you did for the outfeed roller. Use the 0.032" (0.81mm) feeler gauge atop the gauge block. If adjustment is necessary, use the lock nut and screw on each end of the infeed roller.

## Chipbreaker Height

The chipbreaker breaks off the larger chips before the stock reaches the cutterhead. Use the gauge block to set the chipbreaker even with the arc of the knives, following the same procedure as above. If adjustment is needed:

1. Remove top cover.
2. Loosen the lock nuts (A, Figure 28) at both ends of the chipbreaker, and turn the set screws to raise or lower the chipbreaker as needed. The set screws should be turned the same amount.
3. When the chipbreaker contacts the gauge block, tighten both lock nuts (A, Figure 28).

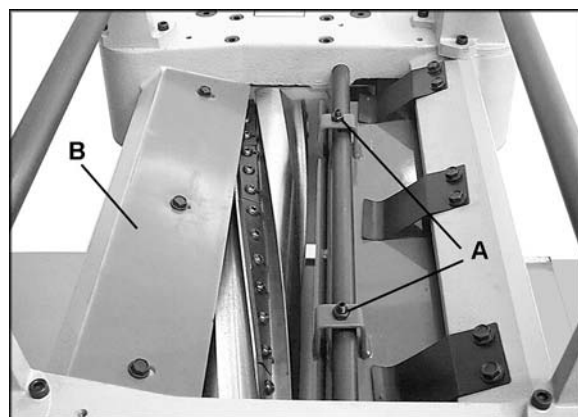


Figure 28



## Chip Deflector

The chip deflector (B, Fig. 28) keeps wood chips from falling into the outfeed roller. The deflector should be set approximately 1/16" to 1/8" from the tip of the knives. Make sure the deflector is oriented so the bevel on its front edge matches the shape of the cutterhead.

## Feed Speed Control

Your machine is equipped with a spiral, serrated infeed roller and a solid steel outfeed roller. When the feed rollers are engaged, they turn to feed the stock. The feed rollers slow automatically when the machine is under heavy load for best planing in all conditions. The feed rollers are driven by chains and sprockets (see Figure 29) which take power directly from the cutterhead through the oil bath gear box. The drive chain does not need tensioning, as a tension device (Figure 29) maintains proper tension at all times.

To gain access to the chain and sprockets:

1. Remove the handwheel from the machine.
2. Remove the socket head cap screw from the center of the cover, and remove the left triangular back plate. See Figure 30.
3. Pull the cover off the machine.

**⚠WARNING** Always re-install cover over the chain and sprockets before operating planer.

The gear box has two feed speeds. These are set by pulling out or pushing in the shift lever (Figure 31). Always change feed speed while the machine is running. A label showing the lever positions is affixed just above the lever. It is also shown in Figure 32.

**⚠CAUTION** Do not attempt to change feed speed while stock is passing through the machine. Damage to the gearbox may result.

## Stock Return Rollers

The two rollers on top the machine serve as a convenient rest for stock. They save time and motion for the operator as the stock is returned to the infeed side.

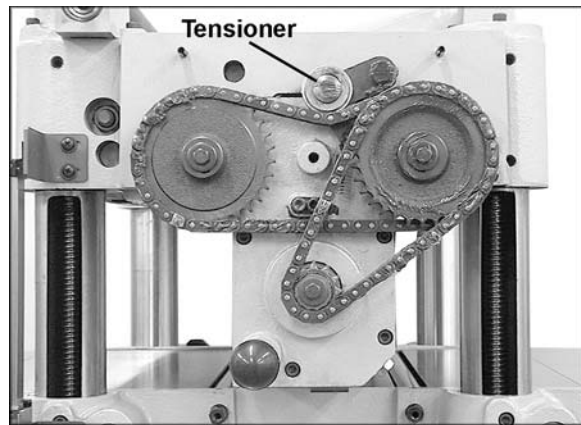


Figure 29

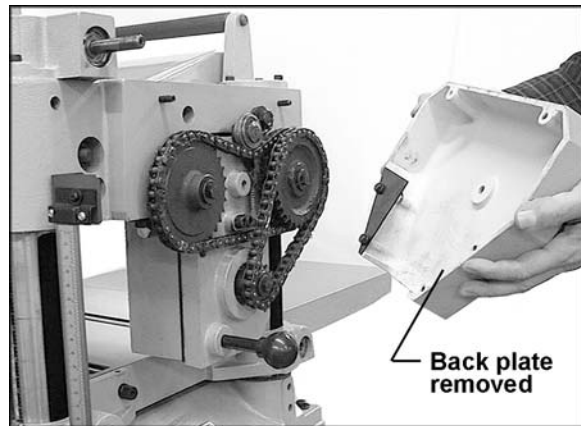


Figure 30

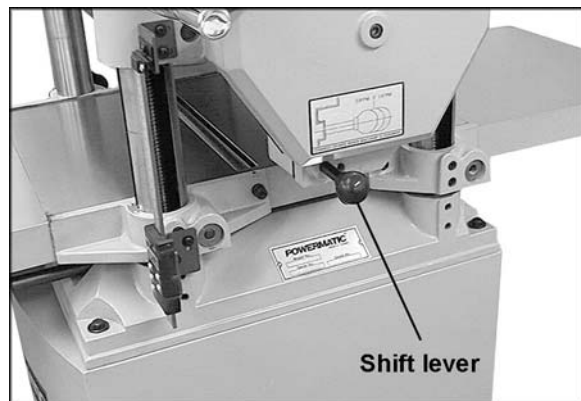


Figure 31

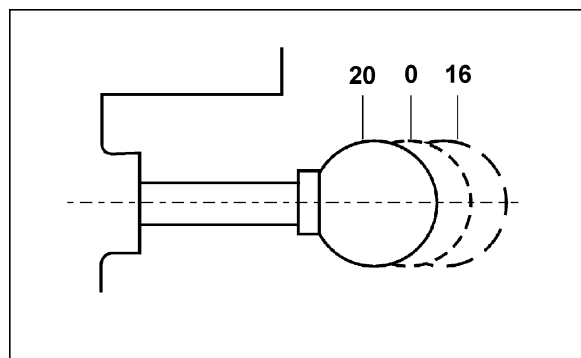


Figure 32

## Depth of Cut

The cutting depth scale is a combination inch/metric scale (Figure 33), with a cutting range from 0 to 6" (152.4mm). A manual scale is mounted directly to the front column. The model 15S planer also features a digital scale for easier, more precise depth readings.

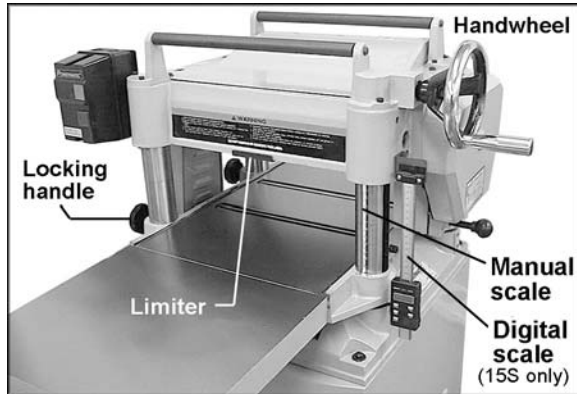


Figure 33

The distance of upward or downward movement is controlled by the handwheel (Figure 33). Before moving the table up or down, loosen the locking handles (Figure 33). After obtaining proper table position, tighten the locking handles.

Maximum depth of cut is 3/16". A limiter (Figure 33) on the front of the head casting limits the depth of cut on full width planing under 1/8".

The digital scale should be calibrated before operating the planer. Refer to page 21.

## Maintenance

**⚠WARNING** Disconnect machine from power source before performing any maintenance.

Periodic or regular inspections are required to ensure that the machine is in proper adjustment, that all screws are tight, that belts are in good condition, that dust has not accumulated in the electrical enclosures, and that there are no worn or loose electrical connections.

Buildup of sawdust and other debris can cause your machine to plane inaccurately. Periodic cleaning is not only recommended but mandatory for accurate planing.

Close-fitting parts, such as the cutterhead slot and gibs, should be cleaned with a cloth or brush and non-flammable solvent, and freed from clinging foreign matter.

Remove resin and other accumulations from feed rollers and table with a soft rag and non-flammable solvent.

Periodically check all the chains for proper tension and adjust accordingly if required.

The table should be kept clean and free of rust. Some users prefer a paste wax on exposed steel and cast iron surfaces. The wax provides a layer of protection as well as reducing friction between lumber and the table, making cuts faster and smoother. Avoid any wax that contains silicone or other synthetic ingredients. These materials can find their way into lumber and can make staining and finishing difficult.

Another option is talcum powder applied with a blackboard eraser rubbed in vigorously once a week; this will fill casting pores and form a moisture barrier. This method provides a table top that is slick and allows rust rings to be easily wiped from the surface. Important also is the fact that talcum powder will not stain wood or mar finishes as some wax pickup does.

## Lubrication

The bearings on the cutterhead are factory lubricated and sealed for life – no lubrication is required.

### Gearbox Lubricant

The lubricant in the gear box must be replaced every 2,500 hours. Multi-purpose gear box lubricant will be suitable.

To replace the lubricant:

1. Remove the drain plug (A, Figure 34) with a 14mm wrench, and remove filler cap (B, Figure 33). Drain dirty oil thoroughly.
2. Insert and tighten the drain plug (A, Figure 34).
3. Fill with clean lubricant through hole (B, Figure 34).
4. Install and tighten filler cap (B, Figure 34).

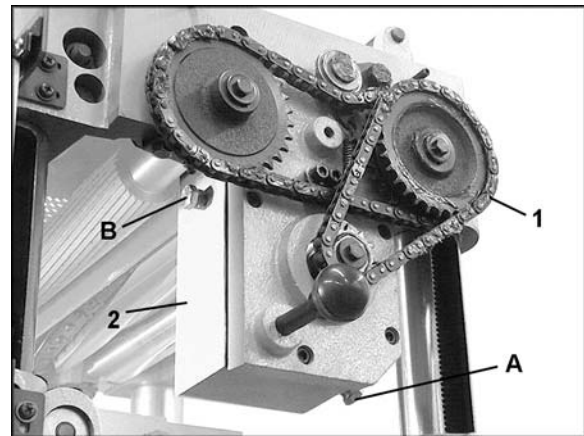


Figure 34

The item numbers on this chart are referenced to the surrounding illustrations.

No.	Position	Inspection Interval	Suitable Types of Lubricant	Figure No.
1	Drive Chain	Monthly	Grease	34
2	Gear Box	When operated more than 2,500 hours	Standard gear oil, 70-90 weight	34
3	Return Rollers	Periodically	SAE-30	36
4	Worm Gear	Monthly	Grease	37
5	Lead Screw	Every third month	Grease	37
6	Column	Weekly	Clean columns and apply SAE-30	37
7	Table Chain	Every 4 to 6 months	Grease, or good quality bicycle chain lubricant	38
8	Feed Rollers	Daily	Clean and apply SAE-30	39

Figure 35

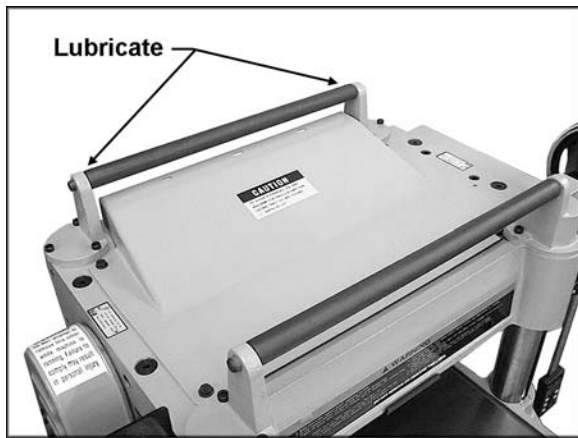


Figure 36

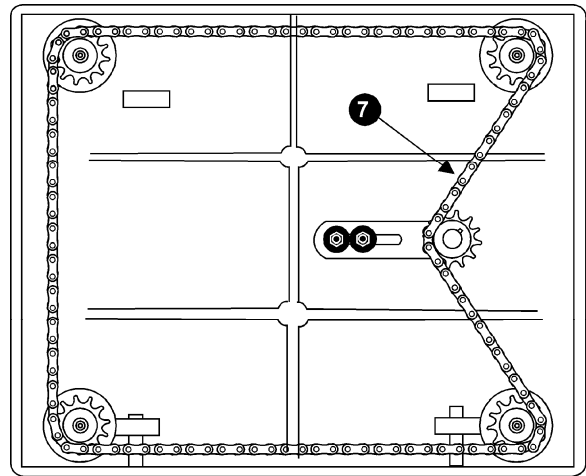


Figure 38

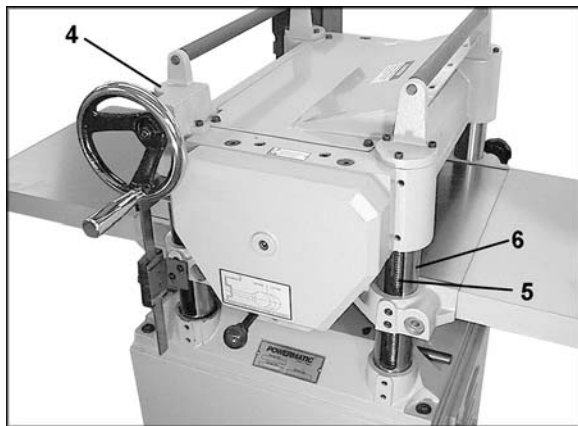


Figure 37

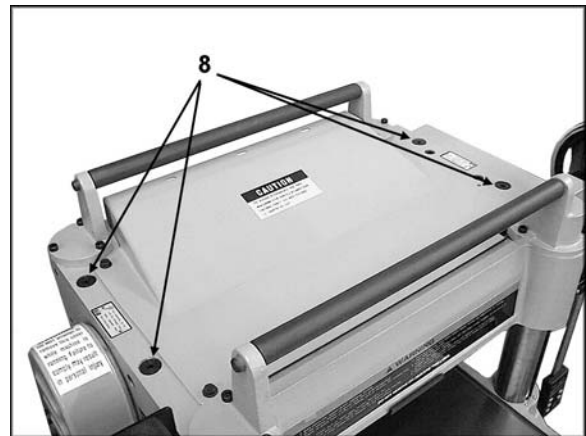


Figure 39

## Functions of the Digital Scale (Model 15S only)

Figure 40 identifies the parts of the digital scale. The button functions are discussed below, followed by a section giving practical examples of how to calibrate your settings, and how these functions can be used for daily planer operations.

Before using the device, wipe down the vertical scale with a dry, soft cloth. Do not use cleaning solutions. Do not allow any liquids (such as machine oil) to contact the body of the digital display. Keep the device clean.

This device uses a 1.55 volt battery cell (SR44). If it needs replacing (see Troubleshooting on page 26 to determine this) slide off the battery cover and insert the battery, with the positive pole of the battery facing out. NOTE: After replacing a battery, the digital display setting defaults to zero and must be recalibrated.

### ON/OFF/ZERO – power and zero-setting

Press ON/OFF/ZERO button no longer than 3 seconds to power on.

Press ON/OFF/ZERO button at least 3 seconds to shut off the digital display.

While in relative mode, press ON/OFF/ZERO (no longer than 3 seconds) to set current position as relative zero point.

While in absolute mode, press ON/OFF/ZERO (no longer than 3 seconds) to set current position as absolute zero point.

### ABS – relative/absolute modes

The device is in absolute mode as soon as power is turned on, and displays absolute zero. Moving the planer table up and down begins absolute measurement. Absolute measurement is set based upon the distance from cutterhead to table, and thus represents the thickness of your board.

Press ABS button (no longer than 3 seconds) to switch to relative mode. “INC” will appear on the display. The value shown is in relative mode; it is an incremental position that can be zeroed at any point and determines not the thickness of a board, but how much material will be removed from a board. Moving the table up and down will now display relative measurement until you press ABS again to go back to absolute.

**IMPORTANT:** Always place the digital display in relative (“INC”) mode before turning it off. If you turn it off while in absolute (“ABS”) mode, your absolute setting will default to zero.

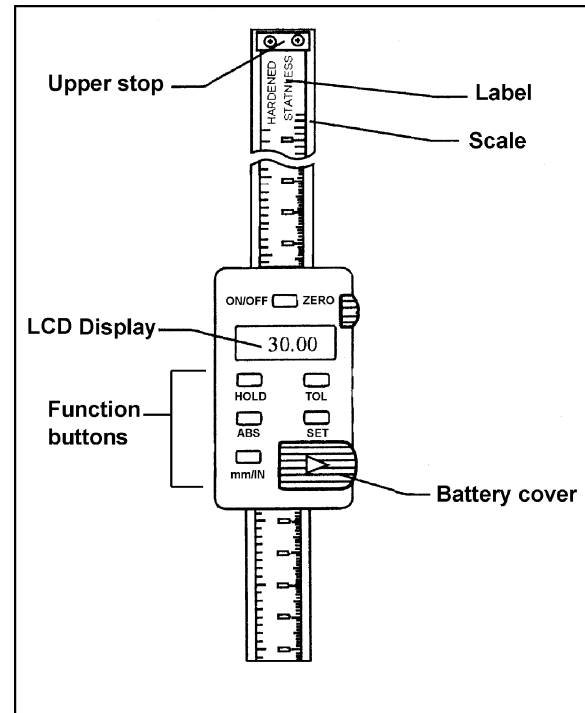


Figure 40

### MM/INCH – millimeters/inches

Pressing this button toggles back and forth between standard and metric, and can be done at any time without affecting saved settings.

### HOLD – maintains data on the display.

Press this button to “freeze” a measurement on the display; it will remain even if the table is moved. Press HOLD again and it returns to normal measurements.

### SET – preset a value

Press SET; the indicator will flash “SET”. Press and hold the SET button and each digit flashes in turn. When the digit you want flashes, release the SET button. Press SET button once (no longer than 1 second) and that digit will increase by one each time SET is pressed. When finished, press and hold SET button until indicator “SET” flashes, then press SET again (no longer than 1 second). The indicator “SET” disappears and the value you just input is displayed on the screen.

From this point on, any table movement will be based off this setting. The setting will be kept in the device's memory even when the digital display is turned off, and only needs re-setting after a battery has lost charge and needs replacing.

#### **TOL** – tolerance setting

This function is not generally used in planer operations, but is here explained for reference.

Press TOL, and an up-arrow indicator will appear, as well as a flashing "SET" indicator. You can now change the upper tolerance limit. Hold down the TOL button and each digit flashes in turn. When the digit you want flashes, release the TOL button.

Press TOL button once (no longer than 1 second) and that digit will increase each time TOL is pressed.

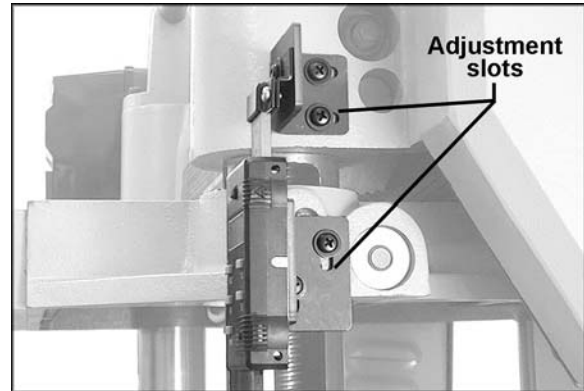
When finished, press and hold TOL button until indicator "SET" flashes. While indicator "SET" is flashing, press SET button to change the arrow to the down-arrow indicator. You can now change the lower tolerance limit in the same manner as you changed the upper tolerance limit.

When finished setting the lower tolerance limit, while indicator "SET" is flashing, press SET button (no longer than 1 second). The device is now in tolerance measuring mode. When the up-arrow indicator is displayed, it means the measured value is beyond the upper limit. When the down-arrow indicator is displayed, the measured value is below the lower limit. When the display shows an "OK" indicator, the measured value is within tolerance.

## **Calibrating & Using Digital Scale**

### **Scale Alignment**

The scale assembly has been mounted and aligned with the 15S Planer table at the factory. The scale should be in vertical position, and the digital device should slide smoothly along the full length of the scale. Check occasionally that the screws holding the device to the planer are tight. If any realignment of the scale should ever be needed, slots are provided in the mounting brackets (Fig. 41).



*Figure 41*

### **Establish Absolute Zero**

One of your first steps should be to "zero" the digital scale in absolute mode. This is equivalent to finding the exact point of contact between the cutterhead knife and the table. This can't be done simply by raising the table, because the depth limiter on the head casting will prevent contact between table and cutterhead. However, there are two relatively easy methods of establishing zero in absolute mode:

**Method 1** uses a gauge, such as a height gauge, or a home-made gauge block (see Fig. 17). If using a home-made gauge block, make sure it has been cut to exact specifications.

1. Disconnect machine from power source.
2. Turn on the digital display. It turns on in absolute mode.
3. Place the gauge upon the planer table and under the cutterhead. (Make sure the gauge lies solidly upon the table and not upon the table rollers.)
4. Raise the table until the gauge just touches the lowest point of a knife. Rock the cutterhead slightly (use the pulley to do this) to make certain the knife's high point is contacting the gauge.
5. The reading on the gauge, or the height of the gauge block, should now be input into the digital display. Refer to the instructions above involving the "SET" button function to input this number into your digital display.

**Method 2** uses a scrap board and calipers.

1. Turn on the digital display. It turns on in absolute mode.
2. Plane one side of a scrap board at an appropriate and safe cutting depth (1/16" for example).
3. Raise the table by the same amount (1/16"), then turn the board over and plane the other side. Do not move the table from the current position.
4. Measure the planed board carefully with calipers. (Our example in Fig. 42 shows the calipers reading .850"). This measurement of the finished board is the equivalent of the distance from table to knife.
5. Input the measurement on the calipers into the digital display. Refer to the instructions above involving the SET button function to input this number into your digital display. (Figure 42 shows the .850" measurement now set in the digital display.)



Figure 42

### Using Relative Measurement Mode

The absolute setting, for which you should have already established the zero point, gives the width of your finished board after cutting (distance from table to cutterhead).

The relative measurement mode is useful for measuring only the amount of stock that you wish to remove (i.e., depth of cut), and eliminates having to add or subtract to find the proper setting. It is especially helpful when planing many boards to the same thickness.

Here is an example using relative measurement:

1. You have planed a board at a setting of one inch at absolute measurement. Do not move the table from this position. You wish to increase the depth of cut on the next run by .063 inches.
2. Press ABS button to start relative measurement mode ("INC" will appear on the display).
3. Follow the previous instructions on using the SET button function. You would input zeros for all digits, thus establishing zero setting for relative measurement mode.
4. After setting relative zero, bring the table up until the digital display reads ".065" inches in relative measurement mode. You can now plane your board with exact results. Of course, you can now toggle back and forth between relative and absolute mode (by pressing ABS button) and get both stock thickness and depth of cut readings at the same time.

### Clearing a Jammed Board

If you have to temporarily move the planer table (for example, to clear a jammed board) use the HOLD button to remember your original setting.

1. If a board jams, press the HOLD button. Your setting will be "frozen" on the display.
2. Lower the table and clear the jam.
3. Raise the table back up to the general location, and make a mental note of the number "frozen" on the display.
4. Press HOLD to return the display back to absolute measurement, and adjust the table until it matches the measurement previously frozen on the display.

NOTE: The HOLD button will not permanently save a setting. When the button is pressed a second time, the number disappears.

### More Uses

The digital scale has been designed to save the operator time and energy, leading to increased productivity. As you become proficient with the use of the digital readout and explore how to use one function in conjunction with another, you'll be able to tailor its functions to suit your own work habits and planing needs.

## Troubleshooting: Performance Problems

Trouble	Probable Cause	Remedy
Snipe. <i>(NOTE: Snipe cannot be eliminated, but can be so minimized as to be negligible.)</i>	Table rollers not set properly.	Adjust rollers to proper height.
	Inadequate support of long boards.	Support long boards with extension rollers.
	Uneven feed roller pressure front to back.	Adjust feed roller pressure.
	Dull knives or knife inserts.	15S: Sharpen or replace knives. 15HH: Rotate or replace inserts.
	Lumber not butted properly.	Butt end to end each piece of stock as they pass through.
Fuzzy grain.	Planing wood with high moisture content.	Remove moisture by drying, or use different stock.
	Dull knives or knife inserts.	15S: Sharpen or replace knives. 15HH: Rotate or replace inserts.
Torn grain.	Too heavy a cut.	Adjust proper depth of cut.
	Knives (or inserts) cutting against the grain.	Cut along the grain where possible.
	Dull knives or knife inserts.	15S: Sharpen or replace knives. 15HH: Rotate or replace inserts.
Rough/raised grain.	Dull knives or knife inserts.	15S: Sharpen or replace knives. 15HH: Rotate or replace inserts.
	Too heavy a cut.	Adjust proper depth of cut.
	Planing wood with high moisture content.	Remove moisture by drying, or use different stock.
Rounded, glossy surface.	Dull knives or knife inserts.	15S: Sharpen or replace knives. 15HH: Rotate or replace inserts.
	Feed rate too slow.	Increase feed rate.
	Cutting depth too shallow.	Increase cutting depth.
Poor feeding of lumber.	Inadequate feed roller pressure.	Adjust feed roller tension. If proper tension cannot be achieved, replace feed rollers.
	Planer table rough or dirty.	Clean pitch and residue from table, and apply paste wax.
	Belt slipping on pulleys.	Tighten belt.
	Surface of feed roller is clogged.	Clean pitch and residue off roller.

## Troubleshooting: Mechanical and Electrical Problems

Trouble	Probable Cause	Remedy
Uneven depth of cut side to side.	Knife projection from cutterhead is incorrect (15S only).	Adjust knife projection.
	Table not parallel to cutterhead.	Adjust table/cutterhead parallelism.
Board thickness does not match depth of cut scale.	Depth of cut scale is incorrect.	Adjust depth of cut scale.
Chain is jumping.	Inadequate tension.	Adjust chain tension.
	Sprockets misaligned.	Align sprockets.
	Sprockets are worn.	Replace sprockets.
Machine will not start/restart or repeatedly trips circuit breaker or blows fuses.	No incoming power.	Verify power connections to planer.
	Overload automatic reset has not reset.	When planer overloads on the circuit breaker built into the motor starter, it takes time for the machine to cool down before restart. Allow unit to adequately cool before attempting restart. If problem persists, check amp setting on the motor starter inside the electrical box.
	Planer frequently trips.	One cause of overloading trips which is not electrical in nature is too heavy a cut. The solution is to take a lighter cut. If too deep a cut is not the problem, then check the amp setting on the overload relay. Match the full load amps on the motor as noted on the motor plate. If amp setting is correct then there is probably a loose electrical lead. Check amp setting on motor starter.
	Building circuit breaker trips or fuse blows.	Verify that planer is on a circuit of correct size. If circuit size is correct, there is probably a loose electrical lead. Check amp setting on motor starter.
	Loose electrical connections.	Go through all the electrical connections on the planer including motor connections, verifying the tightness of each. Look for any signs of electrical arcing which is a sure indicator of loose connections or circuit overload.



Trouble	Probable Cause	Remedy
Machine will not start/restart or repeatedly trips circuit breaker or blows fuses. (cont.)	Motor starter failure.	<p>Examine motor starter for burned or failed components. If damage is found, replace motor starter. If motor starter looks okay but is still suspect, you have two options: have a qualified electrician test the motor starter for function, or purchase a new starter and establish if that was the problem on changeout.</p> <p>If you have access to a voltmeter, you can separate a starter failure from a motor failure by first, verifying incoming voltage at 230+/-10% and second, checking the voltage between starter and motor at 230+/-10%.</p> <p>If incoming voltage is incorrect, you have a power supply problem.</p> <p>If voltage between starter and motor is incorrect, you have a starter problem.</p> <p>If voltage between starter and motor is correct, you have a motor problem.</p>
	Motor failure.	If electric motor is suspect, you have two options: Have a qualified electrician test the motor for function or remove the motor and take it to a quality electric motor repair shop and have it tested.
	Miswiring of the unit.	Check to confirm all electrical connections are correct and properly tight. Make any needed corrections.
	On/off switch failure.	If the on/off switch is suspect, you have two options: Have a qualified electrician test the switch for function, or purchase a new on/off switch and establish if that was the problem on changeout.

## Troubleshooting: Digital Scale – Model 15S only

Trouble	Probable Cause	Remedy
Flashing digits.	Low voltage.	Replace battery.
Locked digits.	Haphazard memory.	Take battery out, wait thirty seconds, then re-insert it.
No display.	Poor contact of battery.	Improve battery contact.
	Low voltage.	Replace battery.
Displays only '0000'.	Short-circuit of zero setting spring and slider signal source.	Remove frame and adjust spring.
Function buttons won't work.	Distortion of springs from over-pressing.	Remove frame and adjust springs.

## Switch Lock

To safeguard your machine from unauthorized operation and to avoid accidental starting by young children, the use of a padlock (not provided) is highly recommended.

To lock out an on/off switch (Figure 43):

1. Open the padlock.
2. Insert through holes in the start button.
3. Close the padlock.
4. Store padlock key in a safe place.

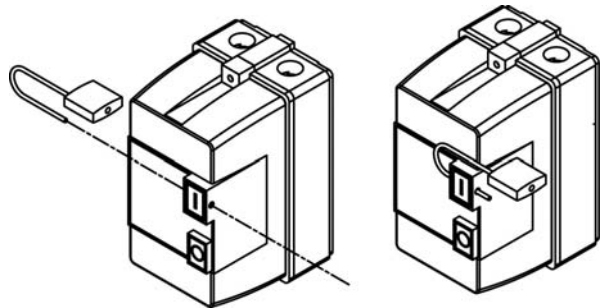


Figure 43

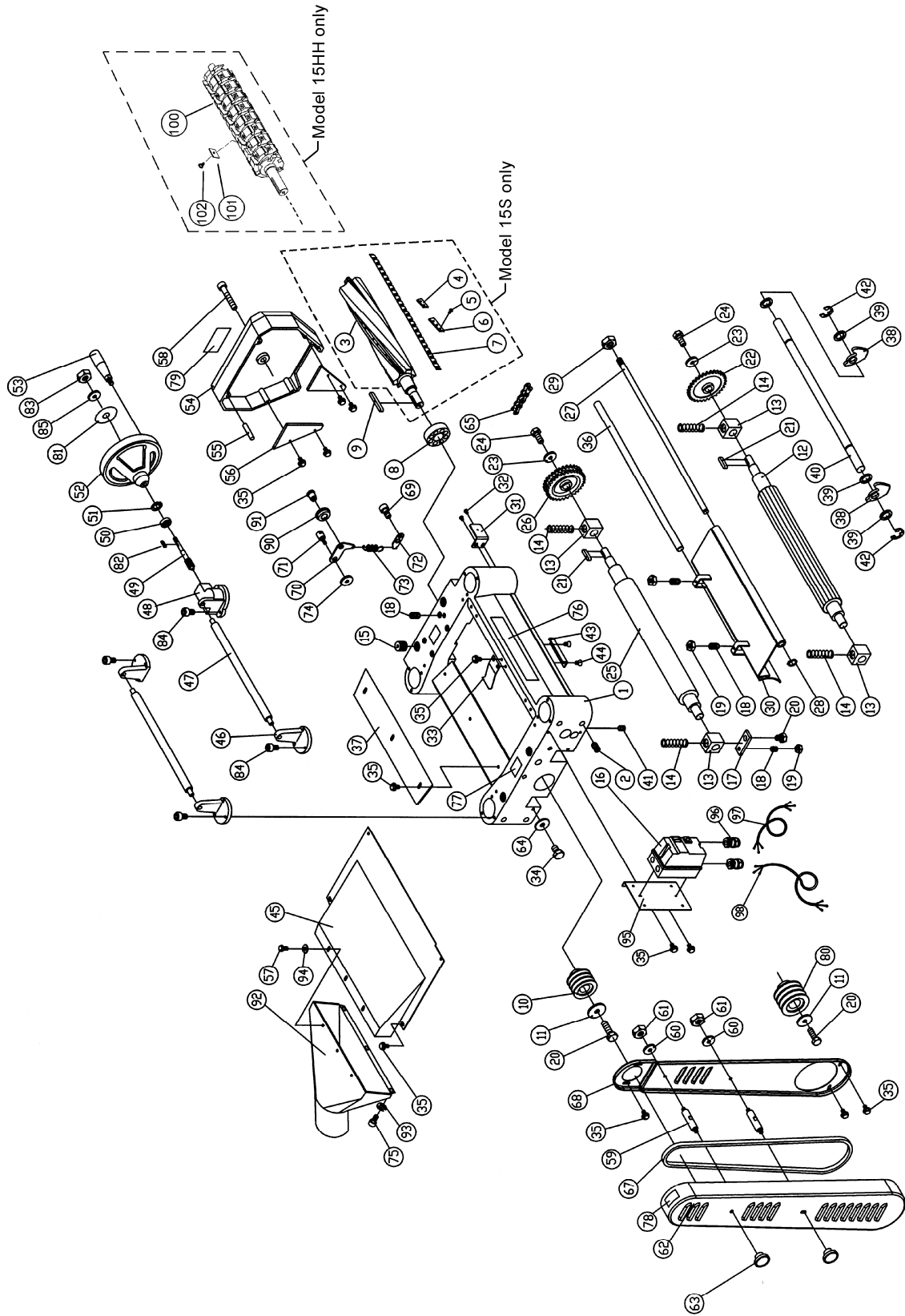
## Optional Accessories

708816	Knives (set of 3) – Model 15S only
15S-600	Battery for digital scale – Model 15S only
15S-601	Battery cover – Model 15S only
1791212	Knife Inserts (set of 10) – Model 15HH only
708520	DRO Retrofit Kit

## Replacement Parts

Replacement parts are listed on the following pages. To order parts or reach our service department, call 1-800-274-6848, Monday through Friday (see our website for business hours, [www.powermatic.com](http://www.powermatic.com)). Having the Model Number and Serial Number of your machine available when you call will allow us to serve you quickly and accurately.

# Head Assembly



## Parts List: Head Assembly

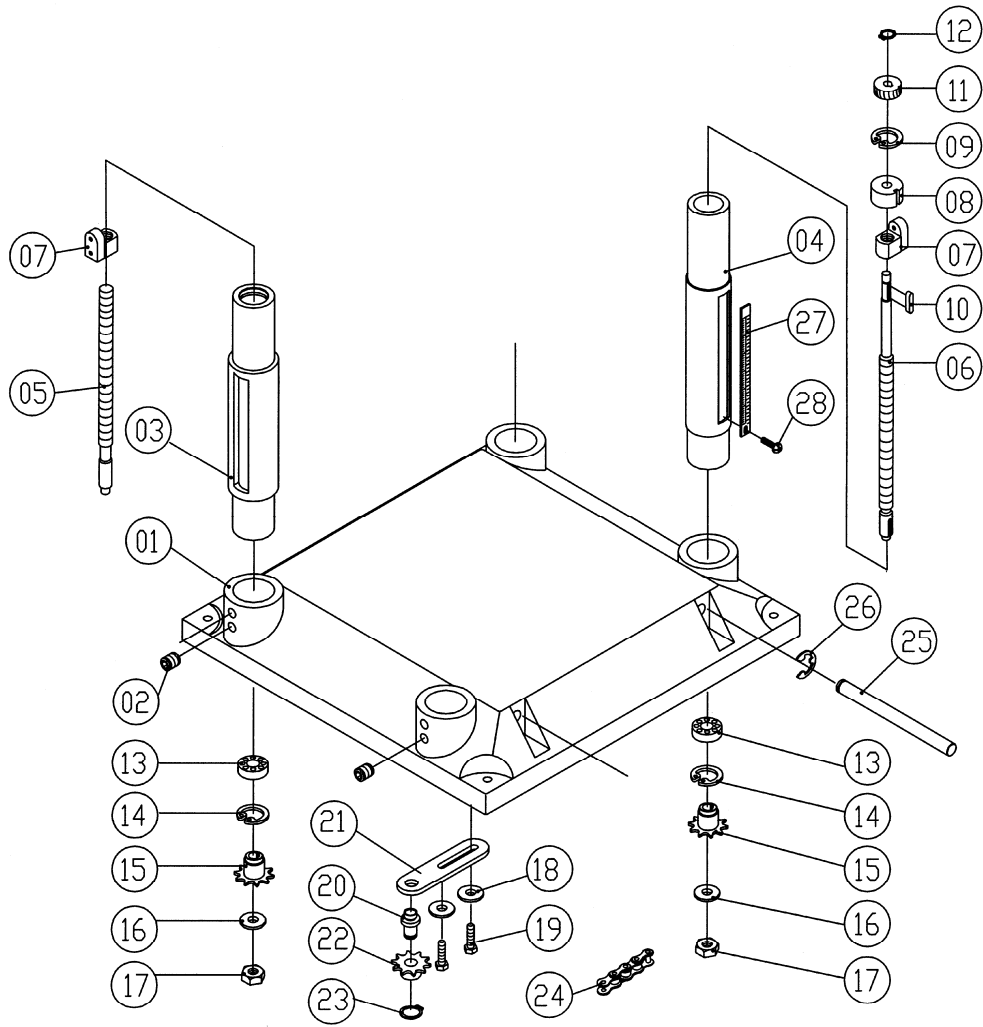
Index No.	Part No.	Description	Size	Qty
	15S-201	Cutterhead Assembly (Items 3 thru 9)		1
1	6284753	Roller Case		1
2	TS-1525011	Socket Set Screw	M10x10	8
3	15S-203	Spiral Cutterhead*		1
4	15S-204	Short Gib*		3
5	15S-205	Hex Socket Round Head Screw*	M6x1.0Px14L	42
6	15S-206	Long Gib*		12
7	708816	Spiral Knives* (set of 3)		3
8	6284759	Bearing	6205-2NSE	1
9	6284760	Key	8x8x36	1
10	6284761	Driven Pulley		1
11	TS-1550061	Flat Washer	M8	2
12	6284763	Infeed Roller		1
13	6284764	Retaining Bracket		4
14	6284765	Spring		4
15	6284766	Screw	M22-1.5Px20L	4
16	15S-216A	Magnetic Switch	3HP, 1PH, 230V	1
	15S-216AC	Contactora (not shown)	3HP, 1PH, 230V	1
	15S-216AO	Overload (not shown)	3HP, 1PH, 230V	1
17	6284767	Bracket		4
18	TS-1523051	Socket Set Screw	M6x16	7
19	TS-1540041	Hex Nut	M6-1.0P	6
20	TS-1490041	Hex Cap Screw	M8x25	2
21	6284770	Key	5x5x22	2
22	6284771	Sprocket	31T	1
23	TS-1550041	Flat Washer	M6	2
24	TS-1482031	Hex Cap Screw	M6x16	2
25	6284774	Outfeed Roller		1
26	6284775	Sprocket	1T	1
27	6284776	Shaft		1
28	6284777	Retaining Ring	TW-12	1
29	TS-1540081	Hex Nut	M12	1
30	6284779	Chip Breaker		1
31	15S-231	Plate*		1
32	15S-232	Screw*	5-0.8Px8L	2
33	6284780	Bracket		3
34	TS-1482021	Hex Cap Screw	M6x12	4
35	6284781	Hex Cap Screw with Washer	M6-1.0Px12L	23
36	6284782	Chip Deflector Shaft		1
37	6284783	Chip Deflector Plate		1
38	6284784	Anti-Kickback Pawl		39
39	6284785	Spacer		40
40	6284786	Shaft		1
41	TS-1524031	Socket Set Screw	M8	1
42	6284788	E-Ring	ETW-15	2
43	6284789	Depth Limiter		1
44	6284790	Phillips Flat Head Machine Screw	M5-0.8Px8L	2
45	6284791	Dust Cover		1
	6284792	Roller Assembly		1
46	6284793	Roller Bracket		3
47	6284794	Roller		2
48	6284795	Worm Gearbox		1
49	6284796	Worm Gear		1
50	6284797	Bearing		1
51	6284798	Retaining Ring	RTW-30	1
52	6284799	Handwheel		1

\* Index Nos. 3, 4, 5, 6, 7, 31 and 32 are used only on the Model 15S Planer.

Index No.	Part No.	Description	Size	Qty
53	6284828	Handle	3/8-16NC	1
54	6284700	Cover		1
55	6284701	Spring Pin	6-20	2
56	6284702	Plate		2
57	TS-1481021	Hex Cap Screw	M5x10	3
58	TS-1504091	Socket Head Cap Screw	M8x45	1
59	6284804	Stud		2
60	TS-0680031	Flat Washer	5/16	2
61	TS-0561021	Hex Nut	5/16-18	2
62	15S-262	Pulley Cover		1
63	6284808	Nut		2
64	TS-1550061	Flat Washer	M8	4
65	6284810	Chain	06B-63	1
67	6284811	Belt	M59	3
68	6284812	Guard, Pulley		1
69	TS-1503021	Socket Head Cap Screw	M6x10	2
70	6284814	Bracket		1
71	6284815	Shaft		1
72	6284818	Hanger		1
73	6284819	Spring	1.2	1
74	6284720	Flat Washer	8.2x22x4.5T	1
75	TS-1503031	Socket Head Cap Screw	M6x12	3
76	6284820	Warning Label		1
77	6284821	Lubrication Label		2
78	15S-278	Warning Label		1
79	6284823	Speed Label		1
80	6284824	Motor Pulley		1
81	6284830	Handwheel Direction Label		1
82	6284712	Key	4x4x10	1
83	TS-1540071	Hex Nut	M10	1
84	TS-1503051	Socket Head Cap Screw	M6x20	12
85	6284718	Flat Washer	10x20x1.5T	1
90	6284816	Idle Pulley		1
91	6284817	Shaft		1
92	6284825	Dust Hood		1
93	TS-2361061	Lock Washer	M6	3
94	TS-1550031	Flat Washer	M5	3
95	15S-295	Switch Plate		3
96	15S-296	Strain Relief		3
97	15S-297	Motor Cord		3
98	15S-298	Power Cord		3
99	15S-299	Knife Adjustment Pin (not shown) <i>Model 15S only</i>		2
100	1791211A	Helical Cutterhead ** ( <i>serial no. 170615HH7145 and higher</i> )		1
101	1791212A	Knife Insert (set of 10) **	15x15x2.5mm	75 total
102	15HH-2102A	Knife Insert Screw **	10-32x1/2 T25P	75
	15S-HK	Hardware Kit for 15S (see page 9 for items included)		

\*\* Index Nos. 100, 101 and 102 are used only on the Model 15HH Planer.

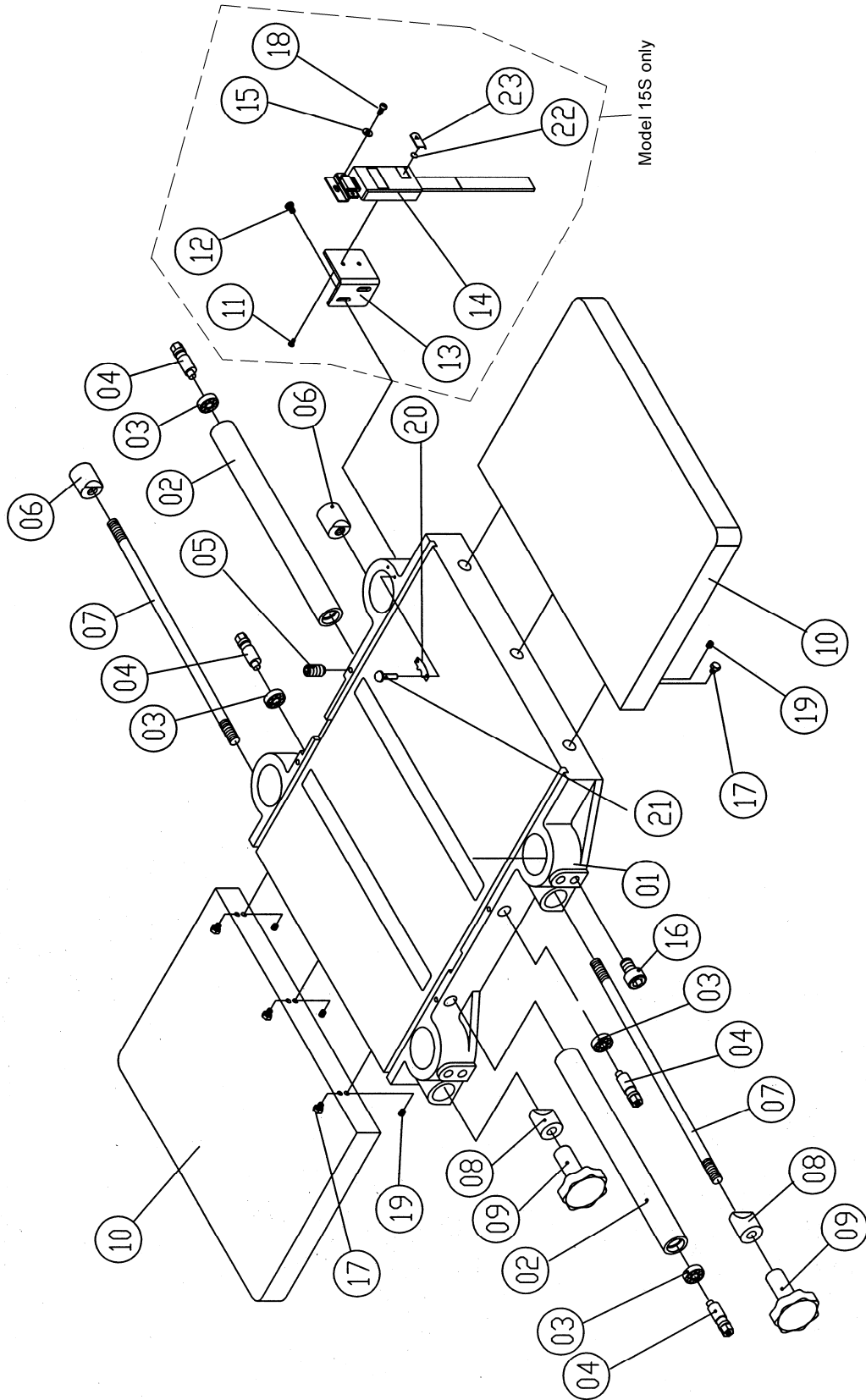
# Base Assembly



## Parts List: Base Assembly

Index No.	Part No.	Description	Size	Qty
1	6284703	Base		1
2	TS-1525021	Socket Set Screw	M10x12	8
3	6284705	Column		3
4	6284706	Crank Case Column		1
5	6284707	Lead Screw		3
6	6284708	Lead Screw Crank		1
7	6284709	Lead Nut		4
8	6284710	Bushing		1
9	6284711	Retaining Ring, Internal	RTW-38	1
10	6284712	Key	4x4x10	1
11	6284713	Gear		1
12	6284714	Retaining Ring	STW-10	1
13	6284715	Bearing	6202Z	4
14	6284716	Retaining Ring, Internal	RTW-35	4
15	6284717	Sprocket		4
16	TS-1550071	Flat Washer	M10	4
17	TS-1540071	Hex Nut	M10	4
18	TS-1550061	Flat Washer	M8	2
19	TS-1490041	Hex Cap Screw	M8x25	2
20	6284722	Shaft		1
21	6284723	Tension Bracket		1
22	6284724	Sprocket		1
23	6284725	Retaining Ring	STW-15	1
24	6284726	Chain	41x134P	1
25	6284727	Lifting Bar		4
26	6284728	E-Ring	ETW-12	4
27	6284729	Scale		1
28	6284730	Screw	M3-0.5Px6L	1

# Table Assembly



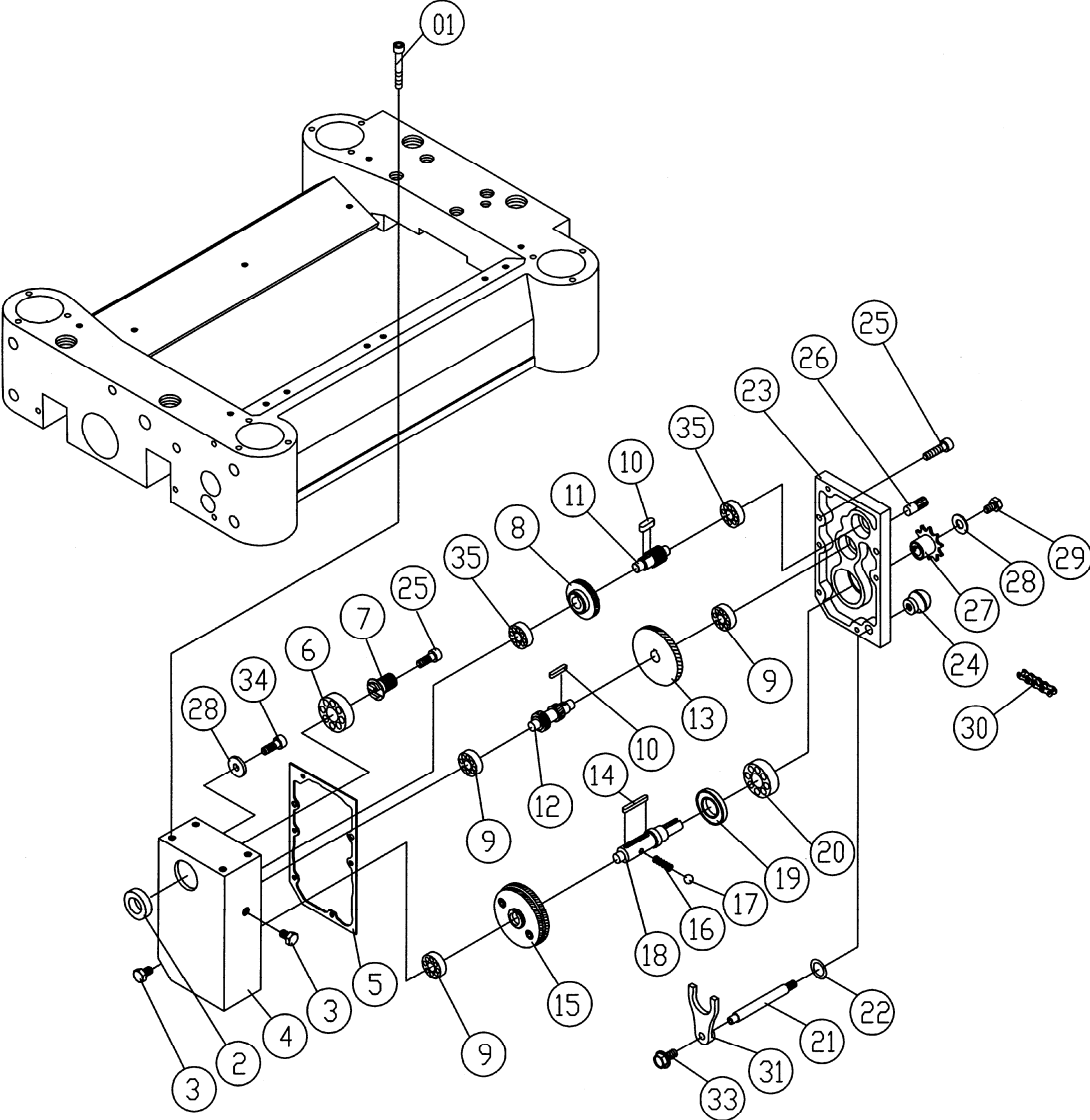


## Parts List: Table Assembly

Index No.	Part No.	Description	Size	Qty
1	15S-301	Table		1
2	6284732	Table Roller		2
3	6284733	Bearing		4
4	6284734	Eccentric Adjuster		4
5	TS-1523041	Socket Set Screw	M6x12	4
6	6284737	Lock Nut		2
7	6284738	Threaded Shaft		2
8	6284736	Lock Bushing		2
9	6284739	Knob	M12-1.75P	2
10	15S-310	Cast Iron Table Extension		2
11	TS-1531012	Phillips Pan Head Machine Screw*	M3x6	2
12	15S-312	Screw*	M5-0.8Px8L	2
13	15S-313	Plate*		1
14	15S-314	Digital Readout*		1
15	TS-1550021	Flat Washer*	M4	1
16	TS-1503051	Socket Head Cap Screw	M6x20	8
17	TS-1490041	Hex Cap Screw	M8x25	6
18	15S-318	Screw*	M4-0.7Px8L	1
19	TS-1524021	Socket Set Screw	M8x20	6
20	6284750	Scale Pointer		1
21	6284751	Rivet		2
22	15S-600	Battery*	1.5 volt	1
23	15S-601	Battery Cover*		1
	708520	DRO Retrofit Kit * (index no. 11-15, 18, 22 and 23)		

\* Parts with an asterisk are used only on the Model 15S Planer.

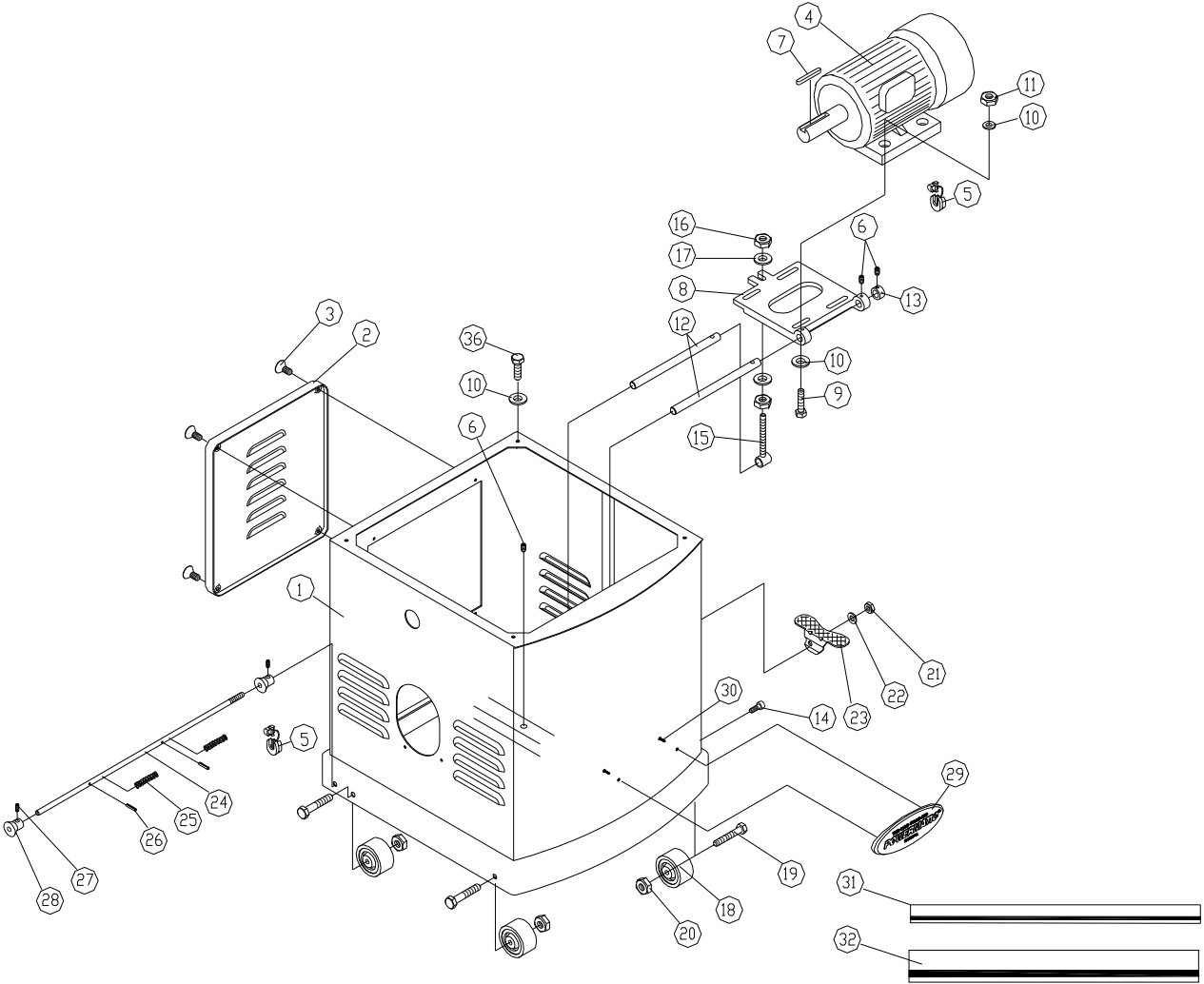
# Gearbox Assembly



## Parts List: Gearbox Assembly

Index No.	Part No.	Description	Size	Qty
	6284842	Gearbox Assembly (Items 1 thru 35)		1
1	TS-1504101	Socket Head Cap Screw	M8x50	4
2	6284843	Oil Seal	TC28-40-8	1
3	6284844	Plug, NPT	PT1/4"-19	2
4	6284845	Gearbox		1
5	6284846	Gasket		1
6	BB-6204ZZ	Bearing	6204ZZ	1
7	6284848	Helical Gear		1
8	6284849	Gear	47T	1
9	BB-6201Z	Bearing	6201Z	3
10	6284851	Key	5x5x10	2
11	6284852	Single Geared Shaft	18T	1
12	6284853	Double Geared Shaft	18, 22T	1
13	6284854	Gear	71T	1
14	6284855	Key	6x6x40	1
15	6284856	Gear Assembly		1
16	6284857	Spring	0.6	1
17	6284858	Steel Ball	6	1
18	6284859	Gear Shaft		1
19	6284860	Oil Seal	SC25-47-6	1
20	6284861	Bearing	6204Z	1
21	6284862	Clutch Handle		1
22	6284863	O-Ring		1
23	6284864	Gearbox Cover		1
24	6284865	Knob	32-3/8"-16NC	1
25	TS-1482051	Hex Cap Screw	M6x25	6
26	6284867	Pin		2
27	6284868	Sprocket	12T	1
28	TS-1550041	Flat Washer	M6	1
29	TS-1482031	Hex Cap Screw	M6x16	1
30	6284870	Chain	06B-47	1
31	6284871	Clutch		1
33	15S-433	Hex Head Bolt With Washer	M6-1.0Px12L	1
34	TS-1503031	Socket Head Cap Screw	M6x12	1
35	6284874	Bearing	6201	2

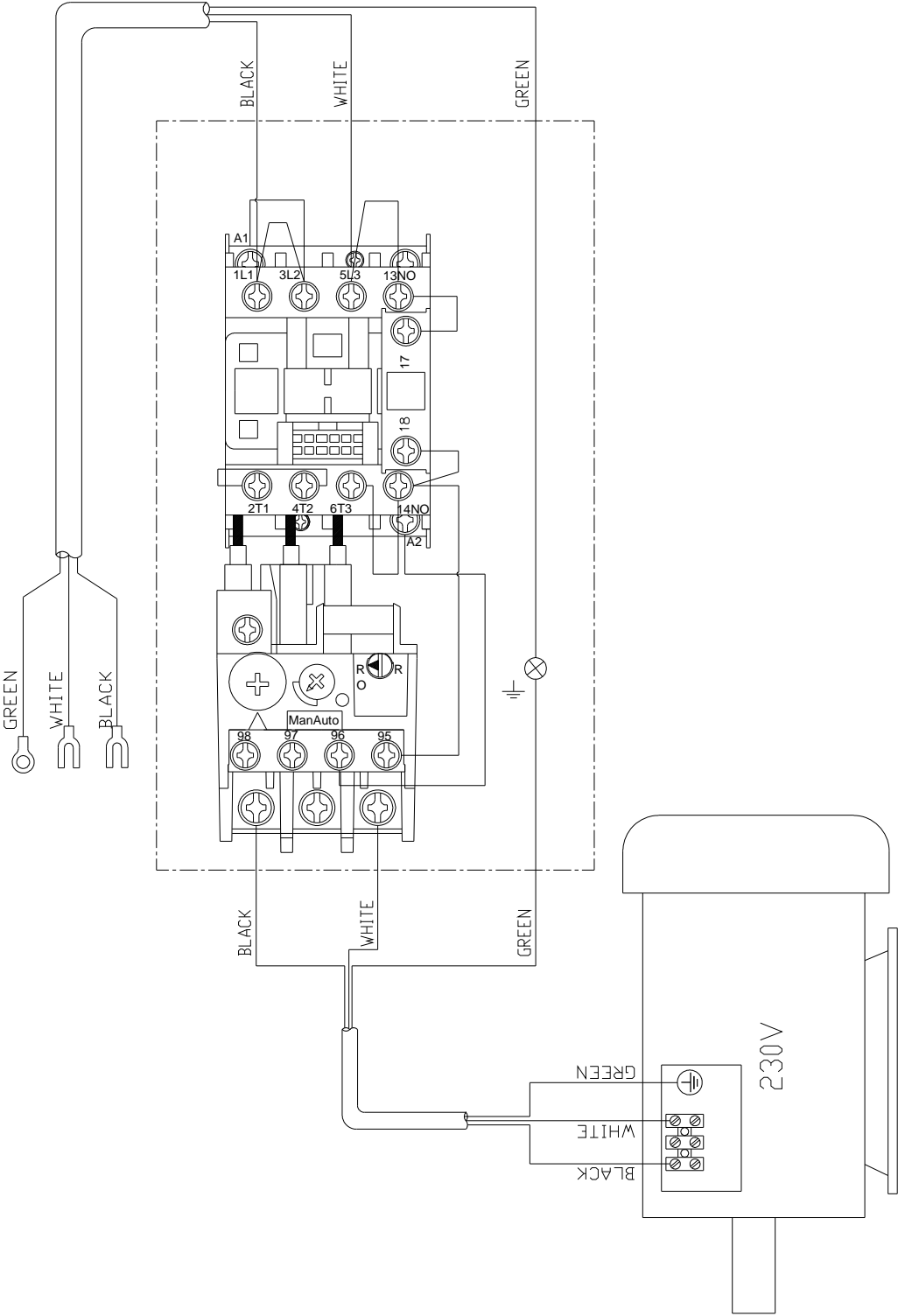
# Cabinet Assembly



## Parts List: Cabinet Assembly

Index No.	Part No.	Description	Size	Qty
	6284875	Cabinet Assembly (Items 1 thru 29)		1
1	15S-501	Cabinet		1
2	6284877	Door		1
3	TS-2236121	Phillips Flat Head Machine Screw	M6x12	4
4	6284878	Motor		1
5	6284895	Strain Relief	SB8R-3	2
6	TS-1523041	Socket Set Screw	M6x12	4
7	6284880	Key	5x5x30	1
8	6284881	Plate, Motor		1
9	TS-1490051	Hex Cap Screw	M8x30	4
10	TS-0680031	Flat Washer	5/16	12
11	TS-1540061	Hex Nut	M8-1.25P	4
12	6284885	Pivot Bar		2
13	6284886	Spacer		1
14	TS-1503031	Socket Head Cap Screw	M6x12	1
15	6284888	Tension Bolt Assembly		1
16	6284831	Hex Nut	M10-1.25P	2
17	TS-0680061	Flat Washer	1/2	2
18	6284890	Wheel		4
19	TS-0060111	Hex Cap Screw	3/8"-16x2.5	4
20	6284892	Locking Nut	3/8"-16NC	4
21	15S-521	Locking Nut	M10-1.5P	1
22	TS-1550071	Flat Washer	M10	1
23	15S-529	Foot Brake		1
24	15S-524	Shaft		1
25	15S-525	Spring		2
26	15S-526	Roll Pin		2
27	TS-1523011	Socket Set Screw	M6x6	2
28	15S-528	Eccentric Cam		2
29	PM2000-105	Powermatic Name Plate		1
30	209-5042	Pan Head Screw	1/4-20 x 3/8	2
31	PM2700-441	Narrow Stripe		<i>sold per ft.</i>
32	PM2700-440	Wide Stripe		<i>sold per ft.</i>

# Electrical Connections – Single Phase, 230 Volt



## **Preventive Maintenance**

### Checklist for Model 15S and 15HH Planers

- [ ] Work area around machine marked off clearly.
- [ ] Non-skid floor strips in area where operator normally stands.
- [ ] Inspect entire machine for loose bolts, nuts, screws. Tighten and replace as necessary.
- [ ] Clean table and cutterhead area, removing sawdust and chips with a soft bristle brush. Remove gum and pitch with oven cleaner.
- [ ] Lubricate appropriate places with a good grade non-hardening grease.
- [ ] Clean table surface. If rusted, use paste mixture of household ammonia, a good commercial detergent and 000 steel wool. Wash surface down with hot, soapy water, rinse and dry thoroughly. Coat surface with talcum powder, rubbing briskly into surface with a clean blackboard eraser.
- [ ] Check blade condition; should be sharp and free of nicks or grooves.
- [ ] Check belt condition. Replace as needed. Dress with belt dressing. Check belt tension.
- [ ] Check motor for loose wiring and sawdust congestion, pulleys tight and in line.
- [ ] Check bearings. Replace any bad or suspect bearings immediately.
- [ ] Check leveling of extension tables with main table.



427 New Sanford Road  
LaVergne, TN 37086  
Phone: 800-274-6848  
[www.powermatic.com](http://www.powermatic.com)



# **POWERMATIC®**

**Instructions d'utilisation et manuel des pièces détachées**

**Raboteuse 15-pouces**

**Modèles 15S et 15HH**



**Powermatic**  
427 New Sanford Road  
LaVergne, Tennessee 37086, USA  
Tél. : 800-274-6848  
[www.powermatic.com](http://www.powermatic.com)

**Pièce N°. M-1791310**  
Révision G 06/2017  
ECR 161019105259  
Copyright © 2017 Powermatic

# Garantie et entretien

Powermatic garantit tous les produits qu'ils vendent contre les défauts de fabrication. Si l'un de nos outils nécessite un entretien ou des réparations, veuillez contactez le Service technique en appelant le 1-800-274-6846, 8AM à 5PM CST, du lundi au vendredi.

## Période de garantie

La garantie générale dépend de la durée indiquée dans les brochures incluse avec votre produit ou sur le site officiel de la marque Powermatic.

- Les produits Powermatic ont une garantie limitée qui varie en fonction du produit. (Voir le tableau ci-dessous.)
- Accessoires comportent une garantie limitée d'un an à partir de la date de réception.
- Les pièces d'usure sont définies comme des pièces ou des accessoires prévus pour devenir inutilisable dans un délai raisonnable de l'utilisation durables et sont couverts par une garantie limitée de 90 jours contre les défauts de fabrication.

## Qui est ce qui est Couvert

Cette garantie ne couvre que le premier acheteur du produit de la date de livraison.

## Qu'est ce qui est Couvert

Cette garantie couvre tous les défauts de fabrication ou les matériaux, sous réserve des limitations indiquées ci-dessous. Cette garantie ne couvre pas les pannes causées directement ou indirectement par la mauvaise utilisation, la manipulation, la négligence ou les accidents, la dégradation personnelle, la mauvaise réparation, les altérations ou le manque d'entretien. Machines à bois Powermatic est conçu pour être utilisé avec du bois. L'utilisation de ces machines dans le traitement des métaux, des matières plastiques ou d'autres matériaux en dehors recommandé directives peut annuler la garantie. Les exceptions sont acryliques et d'autres éléments naturels qui sont fabriqués spécialement pour le tournage sur bois.

## Limites de garantie

Les produits servant à des fins commerciales, industrielles ou éducatives bénéficient plutôt d'un an de garantie. S'il vous plaît contacter le service technique au 1-800-274-6846 pour de plus amples précisions.

## Comment Obtenir un Support Technique

S'il vous plaît contacter le service technique en appelant 1-800-274-6846. S'il vous plaît noter que vous serez invité à fournir la preuve de l'achat initial lors de l'appel. Si un produit nécessite une inspection plus poussée, le représentant de service technique vous expliquera et vous aider à toute mesure supplémentaire nécessaire. Powermatic dispose de centres de service autorisés répartis à travers les États-Unis. Pour obtenir le nom du centre d'entretien agréé de votre région, appelez le 1-800-274-6846 ou utilisez le localisateur de centre de Service sur le site Web de Powermatic.

## Plus d'informations

Powermatic ajoute constamment de nouveaux produits. Pour obtenir des informations complètes et actuelles, contactez le fournisseur de votre localité, ou visitez le Powermatic officiel marque site web.

## Réglementation en Vigueur

Cette garantie vous donne des droits légaux spécifiques, sous réserve de la législation applicable de l'État.

## Limites de la Garantie

POWERMATIC LIMITE TOUTES LES GARANTIES IMPLICITES À LA PÉRIODE DE LA GARANTIE LIMITE DE CHAQUE PRODUIT. TOUTES GARANTIES TACITES OU CONCERNANT L'ADAPTATION À LA COMMERCIALISATION OU L'UTILISATION À UN USAGE PARTICULIER SONT EXCLUES. CERTAINS ÉTATS NE PERMETTENT PAS DE LIMITES SUR LA DURÉE DE LA GARANTIE IMPLICITE, LA LIMITATION CI-DESSUS POURRAIT PAR CONSÉQUENT NE PAS VOUS CONCERNER.

POWERMATIC N'EST EN AUCUN CAS RESPONSABLE DE LA MORT, DES BLESSURES CORPORELLES OU DES DÉGÂTS MATÉRIELS MINEURS, CONTINGENTS, SPÉCIAUX, OU MAJEURS PROVOQUÉS PAR L'UTILISATION DE NOS PRODUITS. CERTAINS ÉTATS N'AUTORISENT PAS DE LIMITATIONS AU SUJET DES DOMMAGES CONSÉCUTIFS. PAR CONSÉQUENT, LES LIMITATIONS CI-DESSUS POURRAIENT NE PAS S'APPLIQUER À VOUS.

Powermatic vend ses produits à travers les fournisseurs ne. Les spécifications mentionnées dans le Powermatic documents imprimés et sur Powermatic officielle sites de marque sont donnés à titre d'information générale et ne sont pas contraignantes. Powermatic se réserve le droit de destruction en tout temps, sans avis préalable, des pièces, des installations et des équipements accessoires qu'ils jugeraient nécessaire pour quelle que raison.

## Liste des produits de la période de garantie

90 jours – Pièces; Les pièces d'usure
1 An – Motors; Accessoires de machines;
2 An – Machines à bois utilisé à des fins industrielles ou commerciales
5 An – Machines à bois

NOTE: Powermatic est une division de JPW Industries, Inc.. Référence dans le présent document à Powermatic s'appliquent également aux JPW Industries, Inc., ou de ses ayants droit pour les marques Powermatic.

# Table des matières

Garantie et entretien .....	2
Table des matières.....	3
Avertissement .....	4
Caractéristiques .....	6
Spécifications.....	6
Déballage.....	7
Installation et assemblage.....	8
Roue manuelle .....	8
Boîte de démarrage.....	8
Tables d'extension.....	9
Capot antipoussière.....	9
Connexions électriques .....	9
Cordons d'extension.....	10
Réglages .....	10
Tension de la courroie.....	10
Alignement de la poulie .....	11
Rouleaux de table.....	11
Tête de la découpeuse .....	12
Remplacement des couteaux (Modèle 15S uniquement) .....	12
Remplacement ou rotation de coupe-paraisons (modèle 15HH uniquement).....	13
Table de travail parallèle à la tête de la découpeuse.....	14
Maîtrisez les rouleaux de transmission de votre raboteuse .....	14
Doigts anti-recul.....	15
Tension du ressort du rouleau d'entrée et de sortie.....	15
Hauteur du rouleau d'entrée, du brise-copeaux et du rouleau de sortie .....	15
Hauteur du rouleau de sortie .....	16
Hauteur du rouleau d'entrée.....	16
Hauteur du brise-copeaux .....	16
Déflecteur de copeau .....	17
Contrôle de la vitesse d'alimentation.....	17
Rouleaux de retour de la bille.....	17
Profondeur de la coupe .....	18
Maintenance.....	18
Graissage .....	18
Fonction de l'échelle numérique (Modèle 15S uniquement).....	20
Diagnostic des anomalies : Problèmes de fonctionnement.....	23
Diagnostic des anomalies : Problèmes mécaniques et électriques.....	24
Diagnostic des anomalies : Échelle numérique - Modèle 15S uniquement.....	26
Accessoires en option .....	26
Pièces de rechange .....	26
Tête.....	27
Liste des pièces : Tête.....	28
Dispositif du socle.....	30
Dispositif de la table .....	32
Liste des pièces : Dispositif de la table .....	33
Dispositif de la boîte de vitesses .....	34
Liste des pièces : Dispositif de la boîte de vitesses .....	35
Dispositif du coffret .....	36
Liste des pièces : Dispositif du coffret .....	37
Connexions électriques – phase unique, 230 volts .....	38



# Avertissement

Comme pour toutes les autres machines, l'utilisation de la raboteuse implique un certain nombre d'accidents. Utilisez l'engin avec le respect et les précautions exigées dans le cadre des règles de sécurité. Lorsque les précautions sécuritaires sont ignorées ou ne sont considérées, cela peut provoquer des blessures corporelles chez l'opérateur.

**Lisez, maîtrisez et respectez** les consignes de sécurité et d'utilisation qui se trouvent dans ce manuel. Sachez quels sont les limites et les dangers auxquels expose cet engin.

**Mise à la masse électrique** Assurez-vous que le cadre de la machine est électriquement mis à la masse et que le fil de masse est inclus dans le service électrique entrant. Dans les cas où une rallonge et une prise de courant sont utilisés, assurez-vous que la prise de masse est branchée à la masse appropriée. Respectez la procédure de mise à la masse indiquée dans le code électrique national. En cas de connexion à un circuit protégé par des fusibles, utiliser des fusibles de temporisation portant la marque "D".

**Protection des yeux** Portez des écrans de protection ou des lunettes de protection homologués pour les yeux. (NOTE : les lunettes ordinaires résistent simplement aux impacts, ce ne sont pas des lunettes de sécurité.)

**Protection personnelle** Avant d'utiliser la machine, retirez votre cravate, vos bagues, votre montre, vos autres bijoux et relevez vos manches au-dessus des coudes. Retirez tous les survêtements amples et confinez les longs cheveux. Vous devez utiliser des chaussures de protections. Au cas où le bruit dépasse le niveau d'exposition autorisé dans la section 1910.95 des normes OSHA, utilisez des dispositifs de protection sonore. Ne portez pas de gants.

**Protections** Immobilisez les protections de la machine lors de toutes les opérations où elles sont utilisées. Si une protection est déposée pour maintenance, N'UTILISEZ PAS la machine tant qu'elle n'est pas reposée.

**Installation** Installez la machine de telle sorte que la zone de recul potentiel ne soit pas alignée sur les allées, embrasures, stations de lavage et autres zones de travail. Ne pas exposer la machine à la pluie ou l'utiliser dans des emplacements humides.

**Zone de travail.** Gardez les alentours de la machine propres et sans fragments de matériaux, de sciure et autres fluides afin de réduire le risque de court-circuit ou de glissement. Assurez-vous qu'il n'y a pas de fragment, ni corps étrangers ou d'outils sur la table avant de commencer la coupe. Assurez-vous que la zone de travail est bien éclairée et qu'un système d'évacuation approprié est utilisé pour réduire la poussière. Il est recommandé d'utiliser des bandes antidérapantes sur la partie du sol où l'opérateur se tient d'habitude et de délimiter chaque zone de travail de la machine. Prévoyez un espace de travail adéquat autour de la machine.

**Évitez un démarrage accidentel :** Assurez-vous que le commutateur du moteur est en position off avant d'alimenter la machine en énergie.

**Position de l'opérateur** Gardez une position équilibrée et restez sous contrôle tout le temps. Restez sur une position hors de la ligne de la table et assurez-vous que personne ne se tient dans la ligne de la table.

**Ménage** Avant la mise en marche de la machine, déplacez tous les équipements extra tels que les clés, tourne-à-gauche, fragments et les torchons de nettoyage loin de la machine.

**Actes d'inattention.** Soyez très attentif au travail que vous effectuez. Regarder autour, converser et "chahuter" sont des actes d'inattention qui peuvent entraîner des blessures graves.

Débranchez la machine lorsque vous effectuez l'entretien ou la maintenance ou lors du changement des lames. Une machine en cours de réparation doit porter une ÉTIQUETTE ROUGE pour montrer qu'elle ne doit pas être utilisée jusqu'à la fin des travaux de maintenance.

**Gardez les outils en bon état.** Gardez les outils tranchants et propres pour un rendement sûr et excellent. Des outils émoussés augmentent le niveau du bruit et peuvent provoquer des chocs et le lustrage des surfaces. Vérifiez l'état et le réglage des outils avant d'effectuer des coupes. Respectez les consignes d'affûtage lors du ponçage, de l'assemblage, de l'installation et des réglages des couteaux.

**Sécurité des mains.** Gardez les mains hors de la machine. Ne touchez jamais le bas des protections pour essayer de supprimer un blocage d'alimentation de bille. N'enlevez pas les copeaux et la sciure avec les mains ; utilisez une brosse. Ne placez pas vos mains sous la partie du panneau qui se trouve sur la table lors du démarrage d'une coupe, sinon, le rouleau d'alimentation peut enclencher le panneau et l'obliger à descendre et à heurter la table, provoquant ainsi un pincement. N'utilisez pas la machine lorsque le couvercle des vitesses est ouvert.

**Rotation de la tête de la découpeuse :** Assurez-vous que la tête de la découpeuse pivote lorsqu'elle est mise sous tension dans le sens antihoraire lorsqu'elle est visualisée du côté du moteur d'entraînement principal.

**État du matériel :** Ne rabotez pas les panneaux ayant des nœuds desserrés, des clous ou des corps étrangers sur sa surface. L'impact du couteau sur ces objets peut provoquer le retrait des couteaux et les amener à se fracasser contre le briseur de copeau ou la barre de pression. Une bille de vent tordu ou déformé doit d'abord être assemblé sur une surface avant d'essayer de raboter une surface parallèle sur la raboteuse. Les graves défauts de billes ne peuvent pas être supprimés par l'utilisation d'une seule raboteuse.

**Réglages de la machine :** Effectuez tous les réglages de la machine lorsque la machine n'est pas sous tension, à l'exception de celui de la vitesse d'alimentation.

**D'éviter de recul:** Pour éviter les kickbacks, utiliser cette machine pour la seule planche surfaçage uniquement. N'exercez pas de coupe d'une profondeur de plus de 1/8 de pouce (3 millimètre).

**Fin des travaux.** Si l'opérateur quitte la zone de la machine pour une raison quelconque, la raboteuse doit être débranchée et la tête de la découpeuse doit être à l'arrêt total avant son départ. Par ailleurs, si l'opération est terminée, il doit nettoyer la raboteuse et la zone de travail. Ne nettoyez jamais la raboteuse lorsqu'elle est sous tension et n'utilisez jamais vos mains pour nettoyer la sciure et les débris ; utilisez une brosse.

**Pièces de rechange** Utilisez uniquement les pièces de rechange et les accessoires fabriqués ou autorisés par Powermatic ; dans le cas contraire, la garantie est nulle et sans effet.

**Utilisation inappropriée.** N'utilisez pas la raboteuse à d'autres fins que celles indiquées. Au cas où elles est utilisée à d'autres fins, Powermatic réfute toute garantie réelle ou implicite et n'est en aucun responsable de toute blessure ou dégâts résultant de cette utilisation.

Si vous n'êtes pas habitué à l'utilisation des raboteuses, demandez conseil à votre superviseur, instructeur ou à tout autre personne qualifiée.

**Drogues, alcool, médicaments.** N'utilisez pas cet engin lorsque vous êtes sous l'influence de la drogue, de l'alcool ou sous traitement.

**Risques sur la santé.** AVERTISSEMENT: Forage, sciage, ponçage ou usinage de produits du bois génère de la poussière de bois et d'autres substances connues pour l'État de Californie pour causer le cancer. Évitez la poussière générée par l'inhalation de produits de bois ou d'utiliser un masque anti-poussière ou d'autres mesures de protection pour éviter d'inhaler la poussière générée à partir des produits du bois.

Les produits du bois émettent des substances chimiques à l'État de Californie pour causer des malformations congénitales ou d'autres problèmes de reproduction. (California Health and Safety Code Section 25249,6)

**Familiarisez-vous avec les notices de sécurité suivantes utilisées dans ce manuel :**



Ceci signifie que si les précautions ne sont pas prises, l'opération peut engendrer un faible dégât et/ ou éventuellement endommager la machine.



Ceci signifie que si les précautions ne sont pas prises, l'opération peut engendrer un sérieux dégât ou éventuellement provoquer un décès.

# Caractéristiques

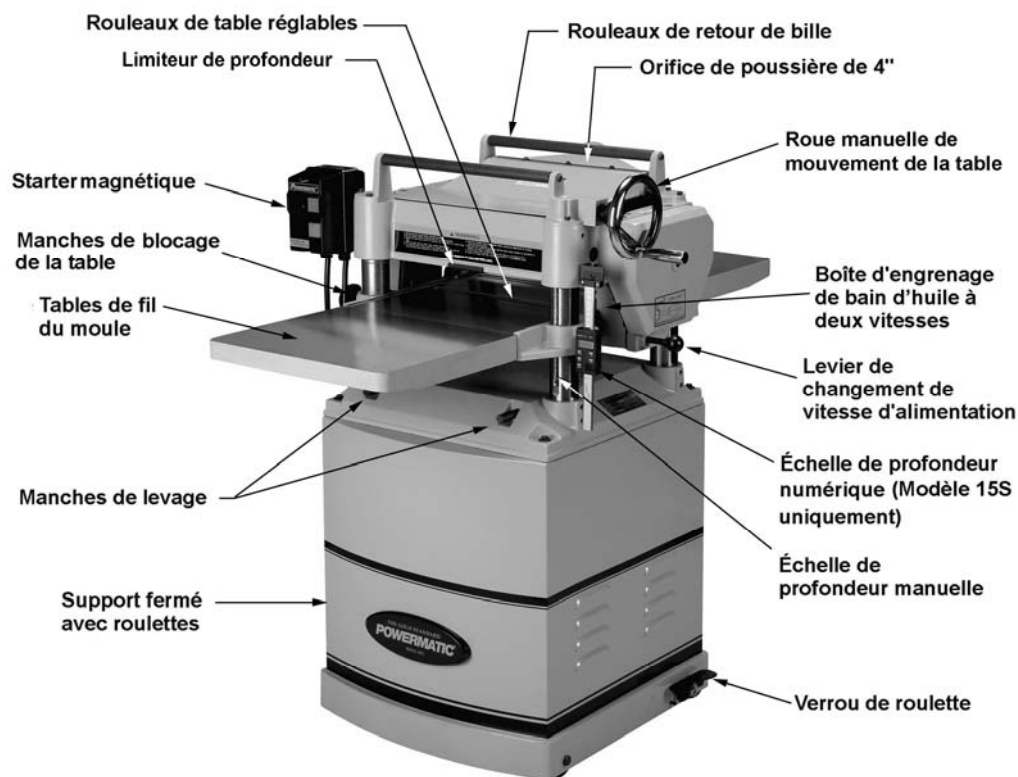


Figure 1

# Spécifications

N° du modèle .....	15S .....	15HH .....
N° de la bille .....	1791210 .....	1791213 .....
Largeur maximale de rabotage (po) .....	14-7/8 .....	14-7/8 .....
Épaisseur maximale de rabotage (po) .....	6 .....	6 .....
Profondeur de découpage à largeur totale (po) .....	1/8 .....	1/8 .....
Longueur minimale de rabotage (po) .....	8 .....	8 .....
Épaisseur maximale la bille (po) .....	3/16 .....	3/16 .....
Mouvement de la table par une révolution du volant .....	0.079" (2mm) .....	0.079" (2mm) .....
Couteaux .....	3 .....	98 Paraisons à quatre côtés .....
nombre de lignes de la tête de la découpeuse .....	-- .....	5 .....
Vitesse de la tête de la découpeuse (TPM) .....	4,500 .....	4,500 .....
Nombre de découpages par minute .....	13,500 .....	pas applicable .....
Diamètre de la tête de la découpeuse (po) .....	2-7/8 .....	2-7/8 .....
Son niveau à 2-pouces distance (dB) .....	82 à 85 .....	80 à 84 .....
Torque maximale de la vis de coupe-paraison (livre force – pouce) .....	----	45 à 55 .....
Vitesse d'alimentation (Pi/min) .....	16 et 20 .....	16 et 20 .....
Moteur .....	TEFC 3HP, 1Ph, 230 V, 60 Hz .....	TEFC 3HP, 1Ph, 230 V, 60 Hz .....
Circuit recommandé <sup>1</sup> .....	30A .....	30A .....
Diamètre de la chute de poussière (po) .....	4 .....	4 .....
Dimensions générales (LxIxH)(po.) .....	48 x 28 x 43-1/2 .....	48 x 28 x 43-1/2 .....
Coffret sur l'empreinte, y compris la pédale (LxI)(po) .....	23-1/2 x 23 .....	23-1/2 x 23 .....
Poids net (lb) .....	507 .....	502 .....
Poids à l'expédition (lb) .....	573 .....	568 .....

<sup>1</sup>Sous réserve des codes électriques locaux et nationaux

Les spécifications ci-dessus étaient valables au moment de la publication du présent manuel. Cependant, du fait de notre politique d'amélioration constante, Powermatic se réserve le droit de les changer à tout moment sans avis préalable et sans prendre des engagements.

## Déballage

Ouvrez le conteneur et vérifiez les dégâts d'expédition. Avisez immédiatement votre fournisseur ou votre agent maritime au sujet du dégât. Ne mettez au rebut aucun matériel d'acheminement tant que la raboteuse n'est pas montée et fonctionne correctement.

Faites une Comparaison entre le contenu de votre conteneur et la liste de pièces pour vous assurer que toutes les pièces sont intactes. Signalez les pièces manquantes à votre fournisseur. Lisez entièrement le manuel du propriétaire pour avoir des informations sur les instructions de montage, de maintenance et de sécurité.

Contenu de la caisse (Figure 2) :

- 1 Raboteuse (non illustrée)
- 1 Capot antipoussière
- 2 Tables d'extension de fil du moule
- 1 Roue manuelle
- 1 Manche
- 4 Clés hexagonales de (3, 4, 5 et 6mm)\*
- 2 Clés à fourche (8-10, 12-14mm)\*
- 3 Sacs et attaches\* – voir ci-dessous
- 1 Manuel d'utilisation (non illustré)
- 1 Carte de garantie (pas illustré)

Modèle 15S uniquement :

- 1 Clé hexagonale de manche en forme de T (4mm)\*
- 2 Goupilles de réglage\*

Modèle 15HH UNIQUEMENT (Figure 4) :

- 1 1 Tournevis d'entraînement d'1/4"
- 1 Adaptateur de prise d'entraînement Torx Plus T25P
- 1 1 Jeu de 10 coupe-paraisons

Contenu des sacs de serrage\* (Figure 3) :

A – (pour installation de la roue manuelle)

- 1 Étiquette de direction
- 1 écrou hexagonal
- 1 Rondelle plate
- 1 Clé

B – (pour l'installation des tables d'extension)

- 6 vis à tête hexagonale, M8x25
- 6 vis de réglage creuse, M8x25

C – (pour l'installation du capot antipoussière)

- 3 Vis à chapeau à tête creuse, M6x12
- 3 Rondelles de verrouillage, M6
- 3 vis à tête hexagonale, M5x10
- 3 Rondelles plates, M6

\*indique les pièces contenues dans la trousse de matériel 15S-HK

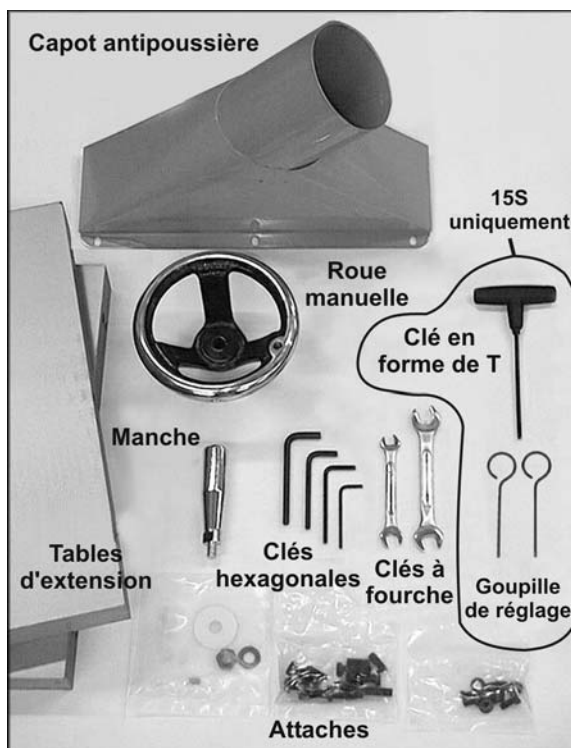


Figure 2

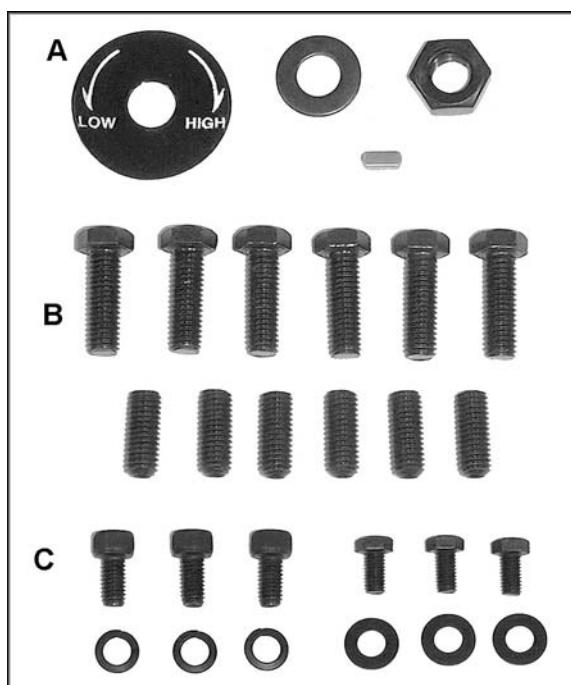


Figure 3

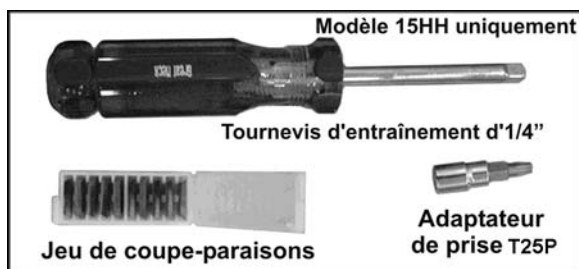


Figure 4

# Installation et assemblage

## Outils nécessaires pour l'assemblage :

Fourche de levage et palan avec élingues  
Clés à fourche (10-12,12-14 mm) (fournies)  
Clés hexagonales de 4 et 5 mm (fournies)  
clé à fourche de 16 mm

Déposez les vis qui maintiennent la raboteuse à la palette et utilisez une fourche de levage pour soulever la raboteuse de la palette. Les fourches et les brides doivent toujours être installées sous les quatre manches de relevage lors du levage de la machine (Figure 5). Vous pouvez pousser les manches de relevage vers l'arrière lorsqu'elles ne sont pas utilisées.

La raboteuse doit être utilisée dans une zone bien éclairée et bien aérée. Vous pouvez la diriger sur ses roulettes vers la position souhaitée. Appuyez sur le levier de pied (Figure 6) afin d'éviter des mouvements au cours de l'utilisation ou des réglages.

Les surfaces exposées telles que les tables, les rouleaux la tête de la découpeuse, etc., ont été peintes d'une couche de protection à l'usine. Elle doit être retirée avec un torchon doux et humide, avec un bon solvant vendu sur le marché. N'utilisez pas d'acétone, d'essence, de laque fine ou un autre solvant ayant un point d'éclair faible. N'utilisez pas de protection abrasive, car elle peut décoller les surfaces en fonte polie.

**ATTENTION** Soyez prudent lors du nettoyage des alentours de la tête de la découpeuse – les couteaux sont extrêmement tranchants.

## Roue manuelle

1. Placez la clé dans la fente de l'arbre (Figure 7) et montez la roue manuelle sur l'arbre en vous assurant qu'elle est orientée de sorte qu'elle glisse sur la clé.
2. Décollez l'étiquette d'instruction et fixez la au centre de la roue manuelle. Installez la rondelle plate et l'écrou hexagonal sur l'arbre et serrez à l'aide d'une clé de 16mm.
3. Montez le manche dans le trou fileté de la roue manuelle et serrez à l'aide d'une clé de 12 mm placée sur la surface plate du manche.

## Boîte de démarrage

Montez les commandes telle que l'illustre la Figure 8, avec les deux Vis à chapeau à tête creuse montées sur le moule de tête. Utilisez une clé hexagonale de 5 mm.

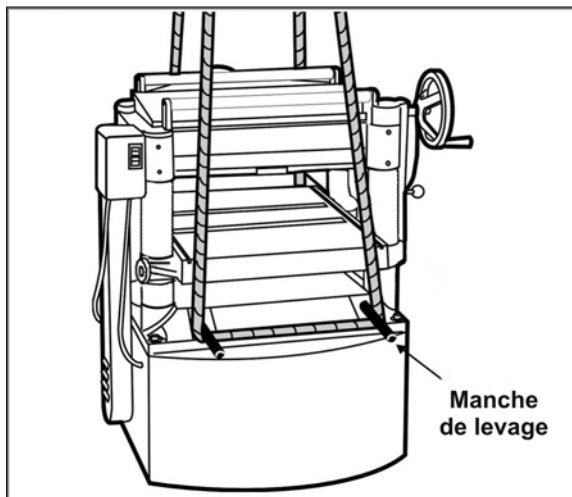


Figure 5

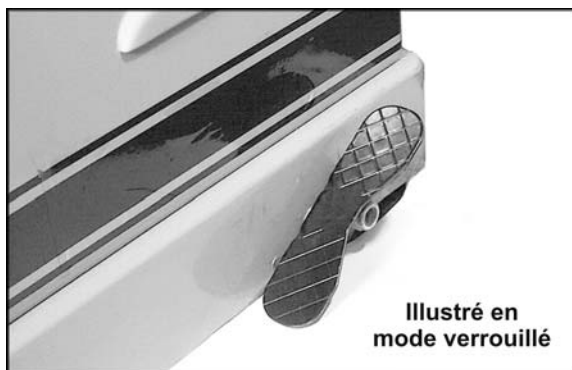


Figure 6

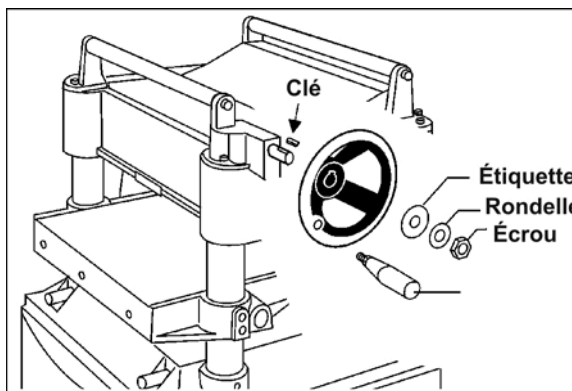


Figure 7

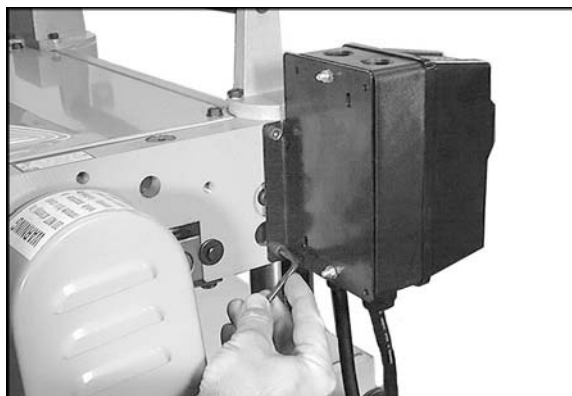


Figure 8



## Tables d'extension

1. Montez une table en fonte à l'extrémité de la table principale à l'aide de trois vis à tête hexagonale (Figure 9) à l'aide d'une clé de 12 mm. Ne serrez pas encore complètement.
2. La table d'extension doit être au même niveau que la table principale. placez une tranche droite (comme un panneau assemblé) en travers de la table d'extension et la principale table.

REMARQUE : La tranche droite ne doit pas être posée sur rouleaux de table car cela risque d'entraver le processus de lissage. Placez la tranche droite juste avant les rouleaux de table ou abaissez complètement les rouleaux de table dans la table (voir page 11) tout en montant les tables d'extension.

3. Insérez trois vis de pression à tête creuse au moyen d'une clé hexagonale de 4 mm et vissez ou dévissez-les comme requis jusqu'à ce que les tables soient au même niveau.
4. Serrez fermement les vis à tête hexagonales.
5. Montez la deuxième table d'extension sur le côté opposé de la table de la raboteuse, en suivant la même procédure.

## Capot antipoussière

Montez le capot antipoussière à l'arrière du moule de tête à l'aide six vis à tête hexagonale de M6 x 12 et six rondelles plates et trois vis à tête hexagonale de M5 x 10 avec les rondelles plates. Voir Figure 10.

Il est recommandé d'utiliser un système de collecte de poussière avec cette raboteuse. Si vous n'utilisez pas de système de collecte de poussière, ne fixez pas le capot antipoussière à la raboteuse étant donné que l'accumulation de la poussière dans le capot risque de provoquer un risque d'insécurité ou éventuellement créer le blocage des rouleaux.

## Connexions électriques



**Les montages électriques doivent être réalisés par un électricien qualifié conformément à tous les codes y afférent. La machine doit être correctement mise à la masse pour éviter une décharge électrique et de possibles blessures mortelles.**

Les raboteuses 15S ou 15HH ne sont pas équipées d'une prise d'alimentation. Vous pouvez soit connecter une fiche 230 volts ou effectuer un « raccord fixe » la machine directement à votre panneau électrique pourvu qu'il y ait une déconnexion près de la machine. Consultez les schémas électriques de la page 38 pour plus d'explications sur la configuration du circuit électrique.

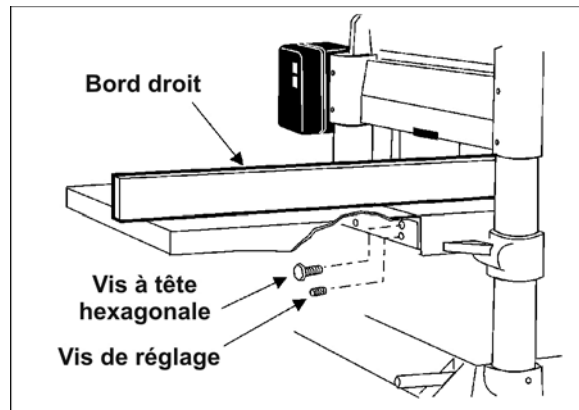


Figure 9

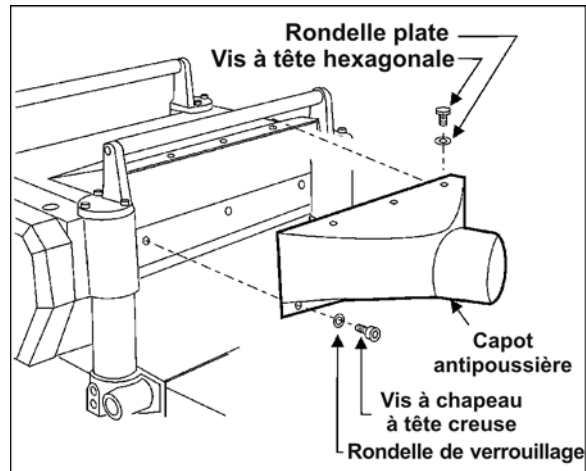


Figure 10

Il est recommandé que la 15S ou 15HH raboteuse soit connectée à un circuit mis à la terre d'un régime *minimal* de 30 ampères avec un disjoncteur de 30 ampères *minimum* ou avec un fusible de temporisation. **Les codes locaux ont préséance sur les recommandations.**

Cette machine doit être mise à la masse. La mise à la masse procure une voie de déviation du courant de l'opérateur en cas de dysfonctionnement électrique.

Assurez-vous que la tension de votre source d'énergie correspond aux spécifications inscrites sur la plaque du moteur de la machine.

### Cordons d'extension

L'utilisation d'une rallonge n'est pas recommandée pour cette machine, mais s'il s'avère nécessaire, assurez-vous que le niveau du fil est approprié à l'intensité de courant indiquée sur la plaque du moteur de la machine. Un cordon à faible tension provoque une sous-tension et est à l'origine de la coupure d'électricité et de l'excès de chaleur.

Le schéma de la Figure 11 illustre la taille exacte du cordon qui doit être utilisé en fonction de la longueur du cordon et de l'intensité de la plaque moteur. En cas de doute, utilisez le calibre voisin plus lourd. Plus le numéro du calibre est petit, plus le fil est lourd.

## Réglages

### Outils nécessaires pour l'assemblage :

- Des clés à fourche de 10, 12 et 17mm
- Des clés hexagonales de 3, 5 et 6mm
- Un calibre d'épaisseur de 0.02" (0.5mm)
- Une tranche droite
- Une cale de calibre
- Un tournevis à pointe cruciforme

**⚠ AVERTISSEMENT** Déconnectez la machine de la source d'énergie avant d'effectuer tout réglage (à l'exception de la vitesse d'alimentation).

### Tension de la courroie

Inspectez régulièrement la tension des courroies les premières fois que vous utilisez la raboteuse. Les courroies s'étirent souvent au cours de cette période d'essai. Si elles ont besoin de serrage, procédez de la manière suivante :

1. Retirez la protection de la courroie et le panneau arrière.
2. Desserrez les écrous arrière sur les vis de réglage (Figure 12) à l'aide d'une clé de 17mm.
3. Tournez les écrous supérieurs pour abaisser la plaque du moteur, ce qui va augmenter la tension de la courroie.
4. Une tension appropriée est effective lorsqu'il y a une légère déflexion dans la courroie à mi-chemin entre les poulies, en exerçant une légère pression du doigt.
5. Serrez les écrous inférieurs sur la vis de réglage (Figure 12).

### Épaisseur recommandée des rallonges électriques (AWG).

Amps	Longueur des rallonges électriques					
	25 pieds	50 pieds	75 pieds	100 pieds	50 pieds	200 pieds
< 5	16	16	16	14	12	12
5 à 8	16	16	14	12	10	NR
8 à 12	14	14	12	10	NR	NR
12 à 15	12	12	10	10	NR	NR
15 à 20	10	10	10	NR	NR	NR
21 à 30	10	NR	NR	NR	NR	NR

\*elle est fonction de la limitation de la baisse de tension à 5 V et à 150% de l'intensité.

NR : Non recommandé.

Figure 11

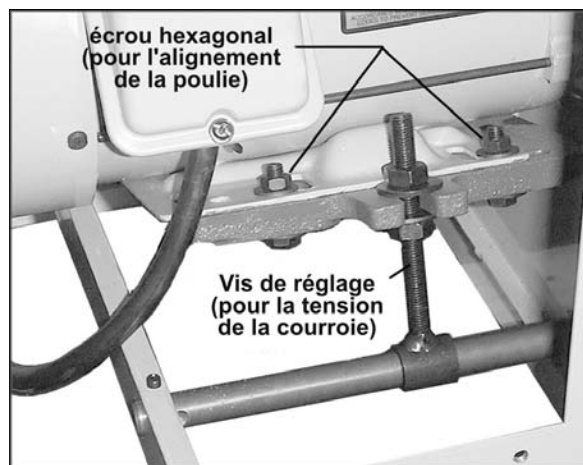


Figure 12

## Alignement de la poulie

Les poulies doivent être alignées pour permettre un bon fonctionnement de la courroie.

1. Déposez la protection de la courroie et placez une tranche droite sur les cotés des deux poulies (Figure 13).
2. Si la tranche droite n'est pas à plat sur les côtés des deux poulies, ouvrez le panneau arrière et desserrez les quatre écrous hexagonaux de la plaque du moteur (Voir Figure 12) à l'aide d'une clé de 12 mm.
3. Faites basculer le moteur vers la gauche ou vers la droite jusqu'à ce que les poulies s'alignent.
4. Serrez les écrous hexagonaux et remplacez les couvercles.

## Rouleaux de table

Votre raboteuse est livrée avec deux rouleaux de table (Figure 14) qui tournent au fur et à mesure que la bille entre dans la machine, réduisant ainsi la friction. Il n'est pas possible de donner les dimensions exactes pour le réglage de la hauteur appropriée des rouleaux de table parce que chaque type de bois se comporte différemment. D'une manière générale cependant, lors du rabotage d'une bille brute, les rouleaux de table doivent être placés en position haute. Lors du rabotage d'une bille souple, les rouleaux doivent être placés en position basse.

REMARQUE : Lorsque vous soulevez le rouleau plus haut au dessus de la table, la moyenne est de zéro à 0,006" (Figure 15).

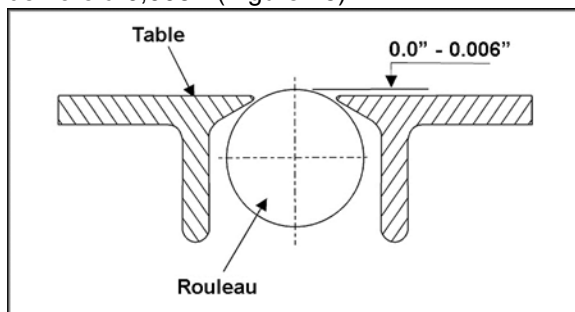


Figure 15

Les rouleaux de table sont réglés à l'usine pour un rabotage moyen et sont parallèles à la surface de la table. Si vous souhaitez régler les rouleaux de table, procédez comme suit :

1. Débranchez la machine de la source d'énergie.
2. Posez une pointe droite en travers des deux rouleaux.
3. Sur l'un des côtés de la table, desserrez les vis de réglage (Figure 16) à l'aide d'une clé hexagonale de 3 mm et tournez les arbres excentriques pour soulever ou abaisser les rouleaux.
4. Lorsque la hauteur appropriée est atteinte, serrez les vis de réglage.
5. Réglez les rouleaux du côté opposé de la table de la même manière.

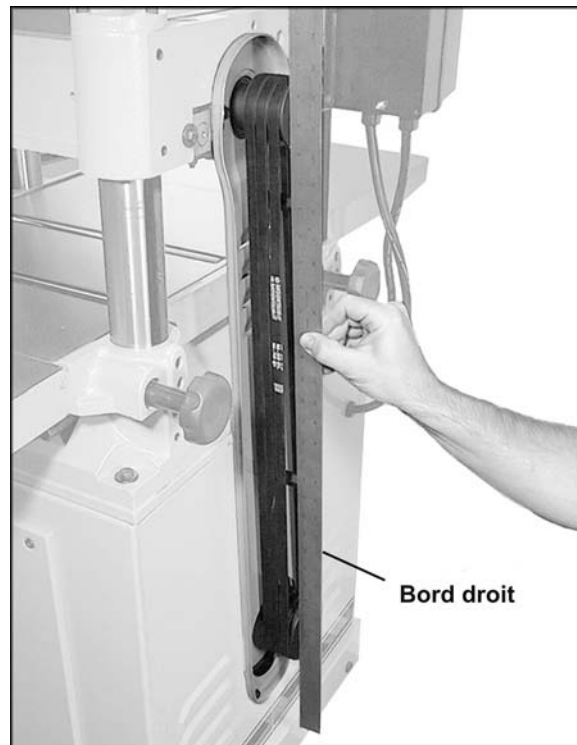


Figure 13



Figure 14

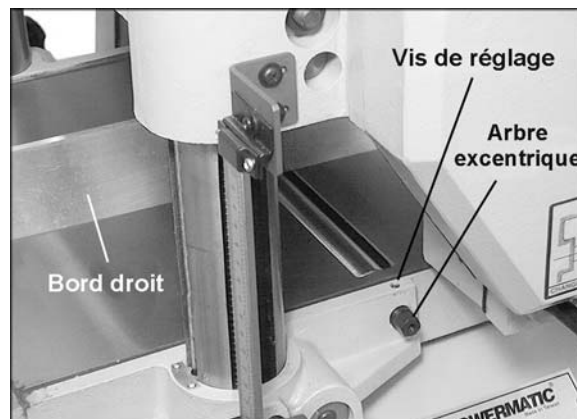


Figure 16

**IMPORTANT :** Assurez-vous que la hauteur des rouleaux avant et arrière est semblable. Les rouleaux de table doivent toujours être réglés parallèlement à la table.

### Tête de la découpeuse

Bien que la raboteuse ait été bien réglée à l'usine, elle doit être vérifiée avant d'être mise en fonctionnement. Toute anomalie causée par une mauvaise manipulation lors du transit doit être corrigée en respectant les instructions décrites dans ce manuel.

Pour vérifier les réglages, vous avez besoin de calibres d'épaisseur et d'un calibre de cadran ou d'une cale de calibre artisanale fabriquée en bois solide. Cette cale de calibre peut être fabriquée suivant les dimensions indiquées à la Figure 17.

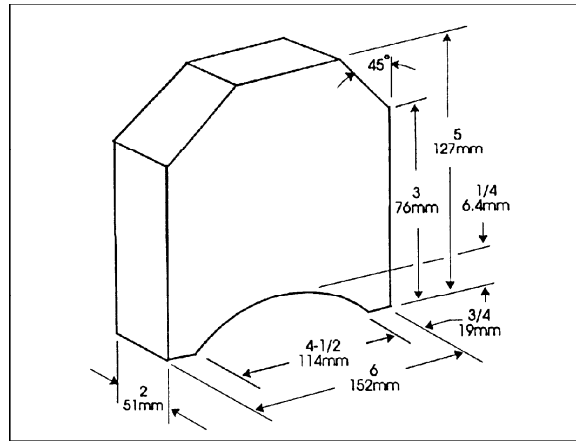


Figure 17

### Remplacement des couteaux (Modèle 15S uniquement)

**⚠ AVERTISSEMENT** Soyez prudent et allez y doucement lors de l'utilisation des couteaux ou en travaillant près de ceux-ci – ils sont extrêmement tranchants !

Lorsque les couteaux émoussés sont remplacés, vous devez prendre des précautions lors de la fixation de nouveaux couteaux dans la tête de la découpeuse. Il existe une procédure à suivre qui permet de s'assurer que les couteaux sont convenablement fixés sur la raboteuse 15S. Procédez de la manière suivante :

1. Débranchez la machine de la source d'énergie.
2. Déposez le capot antipoussière et le couvercle du dessus. Déposez le déflecteur de copeau (la Figure 28 illustre le déflecteur de copeau). Déposez la protection de la courroie afin que vous puissiez faire pivoter la tête de la découpeuse à l'aide de la poulie.
3. Retirez les vis de verrou à l'aide de la clé hexagonale à manche en forme de T, tel que l'illustre la Figure 18 et retirez les écrous l'un après l'autre.
4. Retirez soigneusement le couteau et nettoyez les débris et la poussière sur la fente de la tête de la découpeuse.
5. Placez le nouveau couteau dans la fente de la tête de la découpeuse.
6. **IMPORTANT :** Pendant que l'installation du couteau se poursuit, assurez que les ailes des deux extrémités de chaque trou (voir Figure 18) sont complètement introduites dans la rainure de la tête de la découpeuse. Le non respect de ces instructions peut provoquer une brisure du couteau au cours du fonctionnement.
7. Il existe en tout trois courts et douze longs verrous sur la tête de la découpeuse. Le type de verrou utilisé dans un quelconque emplacement le long du couteau importe peu. évidemment, chaque couteau doit utiliser un court verrou.
8. Mettez le premier verrou en place à l'extrémité de la tête de la découpeuse.

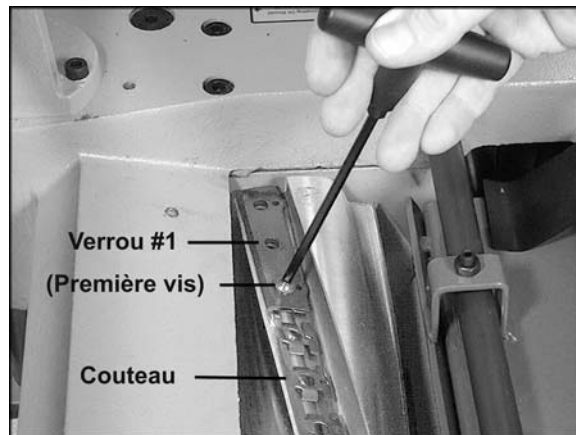


Figure 18 - Modèle 15S uniquement

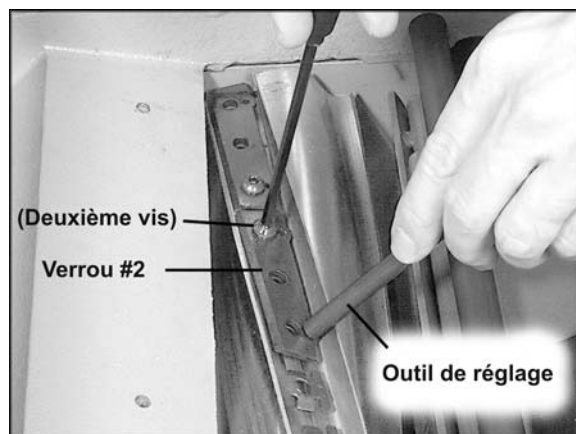


Figure 19 - Modèle 15S uniquement

Utilisez les goupilles de réglage du couteau illustrées à la Figure 19. Les goupilles de réglage s'ajustent à travers les plus petits trous du verrou, du couteau et de la tête de découpeuse pour leur permettre de s'aligner. (Vous pouvez également utiliser à cet effet un outil de 3 mm de diamètre à l'instar d'une clé hexagonale ou du forêt de la perceuse.)

9. Insérez les vis du premier verrou, tout en les tournant à l'aide de la clé à manche en forme de T. Ne serrez pas à fond les vis, fixez les simplement de façon à ce qu'elles maintiennent le couteau dans la rainure.
10. Mettez le verrou suivant en place et reprenez le processus. Voir Figure 19. Utilisez les goupilles de fixation et assurez-vous que les ailes du couteau se trouvent entièrement dans la rainure de la tête de la découpeuse. Continuez de façon séquentielle d'une extrémité de la tête de la découpeuse à l'autre. Une fois de plus, fixez les vis simplement de façon à ce qu'elles maintiennent le couteau dans la rainure.
11. Lorsque tous les écrous sont installés de façon desserrée pour un couteau, faites pivoter la tête de la découpeuse et reprenez le processus pour chacun des deux couteaux restants, allant d'une extrémité à l'autre.
12. Maintenant, serrez entièrement toutes les vis de verrou sur un couteau. Faites-le suivant l'ordre séquentiel, en commençant par l'une des extrémités du couteau en allant vers l'autre extrémité, tout en serrant chaque vis à son tour.
13. Serrez toutes les vices du verrou des deux autres couteaux de la même façon, jusqu'à ce que toutes les vis du verrou soient fermement serrées.  
(NOTE : Le but de ce processus de serrage par petits écarts consiste à éviter de légères déflexions ou la déformation de la tête de la découpeuse et de s'assurer que le couteau est complètement ajusté dans la rainure.)

**▲ AVERTISSEMENT** Après l'installation des couteaux, vérifiez à nouveau attentivement. Assurez-vous que toutes les vis de verrou sont soigneusement serrées. Le non respect de ces instructions peut provoquer des blessures corporelles.

14. Installez à nouveau le déflecteur de copeau (Voir la section "Déflecteur de copeau", page 17) Installez à nouveau le couvercle à l'aide des quatre vis à tête de rondelle et installez à nouveau la protection de la courroie.

### Remplacement ou rotation de coupe-paraisons (modèle 15HH uniquement)

Les coupe-paraisons du modèle 15HH comporte quatre côtés. Lorsqu'elles sont émoussées, retirez simplement chaque paraison, faites-la pivoter à 90° pour la nouvelle extrémité et installez-la à nouveau.

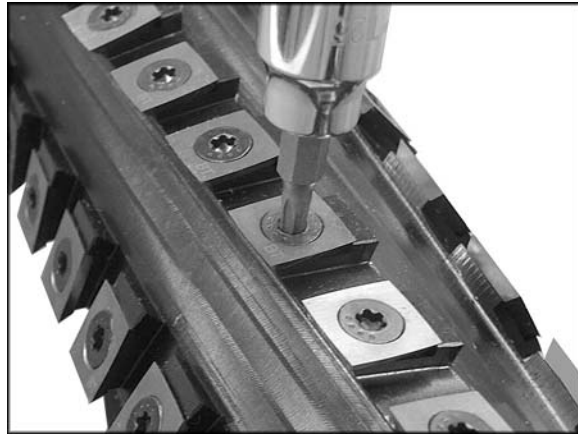


Figure 20 - Modèle 15HH uniquement

Utilisez le tournevis fourni avec l'adaptateur de prise de courant pour retirer la vis du coupe-paraison. Voir Figure 20. **NOTE:** Un T25 pilote ou adaptateur peut dépouiller la tête de la vis. Utilisez toujours un T25-Plus pilote ou un adaptateur.

Il est conseillé de faire pivoter toutes les paraisons simultanément afin de maintenir une coupe consistante. Cependant, si une ou plusieurs coupe-paraisons forment une encoche, faites pivoter uniquement les paraisons touchées.

Chaque coupe-paraison porte un insigne de référence gravé, vous pouvez donc suivre les rotations.

**IMPORTANT :** Lors du remplacement ou de la rotation des paraisons, nettoyez la sciure sur la vis, la paraison et la plateforme de la tête de la découpeuse. L'accumulation de poussière entre ces éléments peut empêcher l'installation appropriée de la paraison et peut affecter la qualité de la coupe.

Pour installer le nouveau de la coupe-paraison

1. Avant d'installer chaque vis, enrobez légèrement les filets d'huile de machine et essuyez toute huile en excès.
2. Position la coupe paraison et déplacer va-et-vient de vérifier il n'y a aucune bavures ou saleté.
3. Hold paraison à l'arrière du siège (tirer légèrement vers vous si face à la pointe) et permettre la vis à insérer dans le poste. Nota : Un léger décalage entre les trous de vis et trou de la coupe paraison est normal. Poste pas paraison directement sur le trou de la vis, car elle pouvait monter sur le dos du siège et potentiellement causer des fissures de la pointe.
4. Serrez fermement chaque vis de fixation de la coupe-paraison avant d'utiliser la dégauchoiseuse. **IMPORTANT:** Torque maximale de la vis de coupe-paraison est de 45 à 55 livre pouce (3.75 à 4.6 livre pied).

**▲ AVERTISSEMENT**

**Assurez-vous que toutes les vis de coupe-paraisons sont soigneusement serrées. Les paraisons desserrées peuvent être propulsées à une forte vitesse à partir d'une tête de découpeuse pivotante, provoquant de ce fait des blessures.**

**Table de travail parallèle à la tête de la découpeuse**

La table de travail est installée parallèlement à la tête de la découpeuse à l'usine et aucun réglage supplémentaire n'est nécessaire. Si votre machine rabote une pointe, vérifiez d'abord si les couteaux sont bien installés dans la tête de la découpeuse. Puis vérifiez pour voir si la table de travail est installée parallèlement à la tête de la découpeuse. Procédez de la manière suivante :

1. Débranchez la machine de la source d'énergie.
2. Placez la cale du calibre (Figure 21) de la table de travail directement sous le bord d'un couteau comme illustré sur l'image. Créez un léger contact en soulevant légèrement la table.
3. Déplacez la cale du calibre vers l'extrémité opposée de la table de travail. **REMARQUE :** La distance entre la table de travail et le bord du couteau doit être la même.
4. Si la table de travail n'est pas parallèle à la tête de la découpeuse, effectuez le réglage de la manière suivante :
5. Retirez les boulons en maintenant la raboteuse sur le support. Inclinez soigneusement la raboteuse sur le côté pour exposer la partie inférieure du socle (Figure 22).
6. Retirez le boulon (A, Figure 22) et desserrez le boulon (B-Figure 22). Cela vous permettra de déplacer le dispositif du pignon fou (C, Figure 22) assez loin pour relâcher la tension sur la chaîne.
7. Retirez la chaîne du pignon spécial sur le coin de la base que vous devez régler.
8. Tournez manuellement afin d'amener le coin à s'ajuster avec les trois autres coins. **REMARQUE :** La rotation du pignon en sens horaire augmente la distance entre la table de travail et le moule de tête, tandis que le sens antihoraire réduit la distance. Ce réglage est très délicat et il n'est pas nécessaire de pivoter le pignon de plus d'une ou deux dents.
9. Lorsque les réglages sont corrects, remplacez la chaîne située autour du pignon de coin, faites coulisser à nouveau le pignon fou (C-Figure 22) pour tendre encore la chaîne, serrez le boulon (B, Figure 22) puis insérez et serrez le boulon (A, Figure 22).

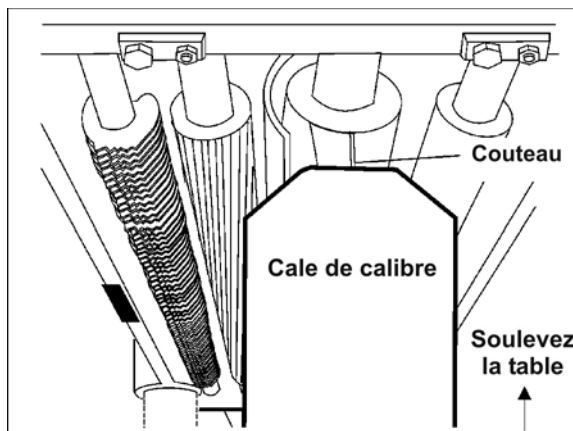


Figure 21

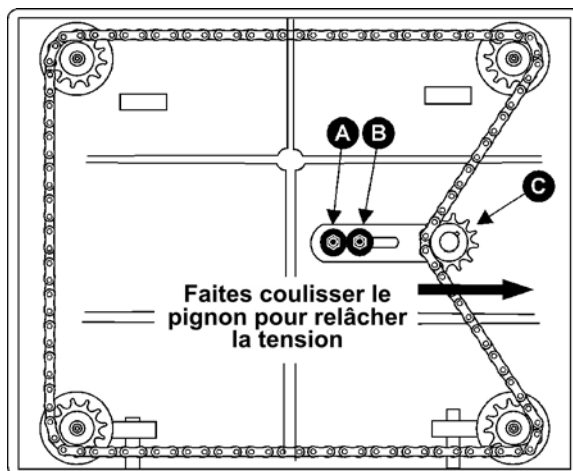


Figure 22

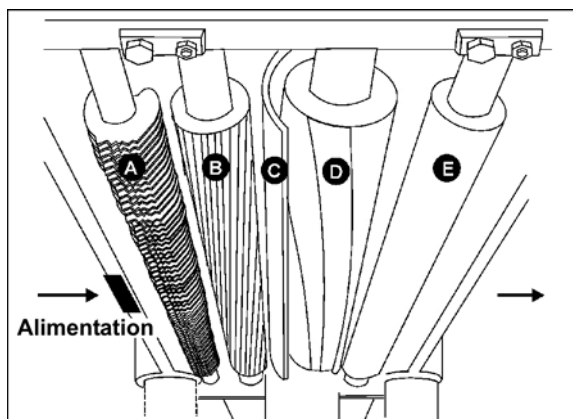


Figure 23

## Maîtrisez les rouleaux de transmission de votre raboteuse

(Figure 23)

- A. Doigts anti-recul
- B. Rouleau d'entrée
- C. Briseur de copeau
- D. Tête de la découpeuse
- E. Rouleau de sortie

### Doigts anti-recul

Les doigts anti-recul (A, Figure 23) sont d'importants éléments de sécurité, car ils permettent de faire reculer les billes. Ils fonctionnent par gravité et doivent être inspectés régulièrement afin d'assurer qu'ils ne contiennent pas de colle ou de bosse, afin qu'ils se déplacent librement et fonctionnent correctement.

### Tension du ressort du rouleau d'entrée et de sortie.

Le rouleau d'entrée (B, Figure 23) et le rouleau de sortie (F, Figure 23) sont ces parties de la raboteuse qui alimentent la bille lors du rabotage. Les rouleaux d'entrée et de sortie obéissent à la tension du ressort et cette tension doit être suffisante pour alimenter la bille uniformément le long de la raboteuse sans glisser, cependant elle ne doit pas être serrée de façon à endommager le panneau. La tension doit être égale aux deux extrémités de chaque rouleau. Remarque: Contactez le service technique Powermatic avant de tenter les ajustements à la tension du ressort.

### Hauteur du rouleau d'entrée, du brise-copeaux et du rouleau de sortie

Le rouleau d'entrée, le briseur de copeau et le rouleau de sortie sont réglés à l'usine. La relation de hauteur entre ces éléments et la tête de la découpeuse est cruciale pour un rabotage précis et sûr. Le rouleau d'entrée, et le rouleau de sortie sont réglés chacun à 0,032" (0.81 mm) en dessous du cercle de coupe. Le brise-copeaux est réglée même avec l'arc de coupe. Voir Figure 25.

Si le rouleau d'entrée, le briseur de copeau, la barre de pression ou le rouleau de sortie nécessitent un réglage, il doit être effectué avec soin. Utilisez les étapes suivantes comme exemple de procédure.

REMARQUE : Cette procédure utilise une cale de calibre artisanale et des calibres d'épaisseur qui doivent suffire pour la plupart des opérations de la raboteuse. Si vous souhaitez des mesures très précises cependant, utilisez un dispositif d'indicateur de cadran.

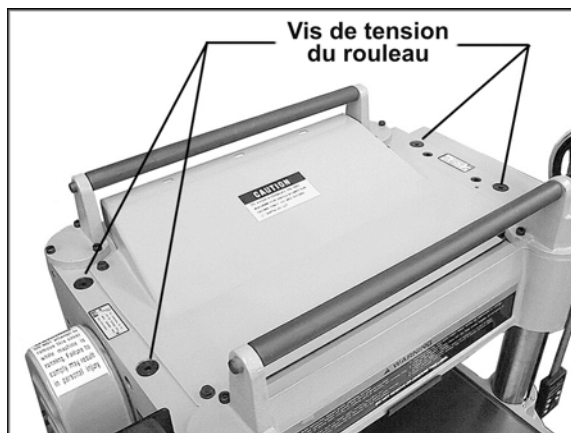


Figure 24

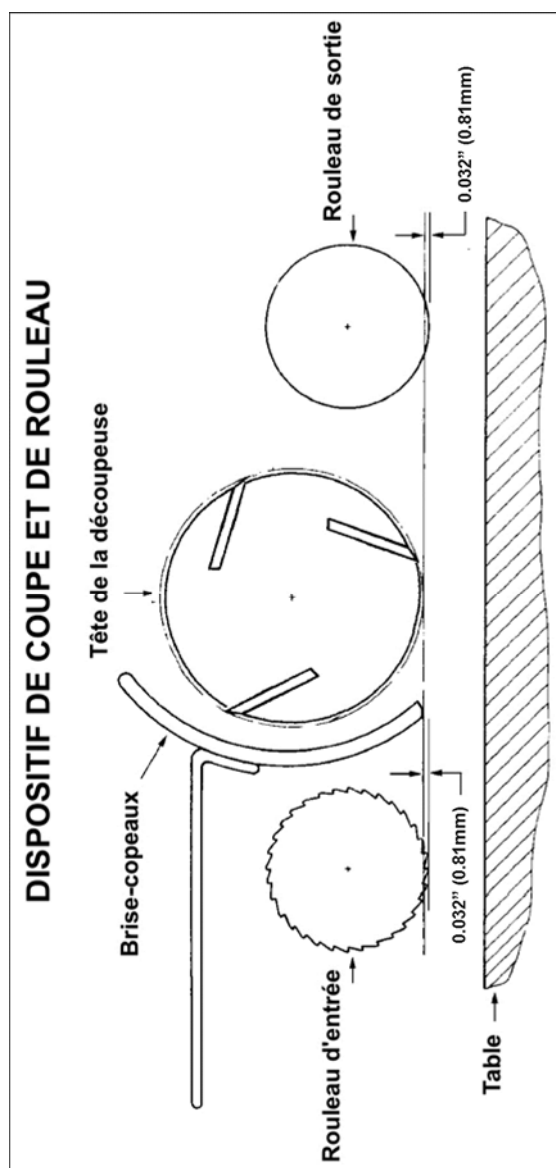


Figure 25

## Hauteur du rouleau de sortie

1. Débranchez la machine de la source d'énergie.
2. Assurez-vous que les couteaux sont bien réglés comme décrit précédemment dans la section « réglage du couteau ».
3. Placez la cale du calibre (F, Figure 26) sur la table directement en dessous de la tête de la découpeuse (D, Figure 26).
4. À l'aide d'un calibre d'épaisseur de 0.032" (0.81mm) (G, Figure 26) placé au dessus de la cale du calibre, soulevez la table de travail jusqu'à ce que le couteau touche le calibre d'épaisseur lorsque le couteau se trouve à son point le plus bas. Ne déplacez pas la table de travail plus loin tant que le rouleau de sortie n'est pas réglé.
5. Retirez le calibre d'épaisseur et placez la cale du calibre (F, Figure 27) sous l'une des extrémités du rouleau de sortie. La partie inférieure du rouleau de sortie doit juste effleurer le sommet de la cale du calibre. S'il est nécessaire de régler le rouleau de sortie, desserrez le contre-écrou (J, Figure 27) et tournez la vis (H, Figure 27) jusqu'à ce que le rouleau de sortie touche la cale du calibre. Serrez ensuite le contre-écrou (J, Figure 27).
6. Vérifiez et réglez l'extrémité opposée du rouleau de sortie de la même manière.

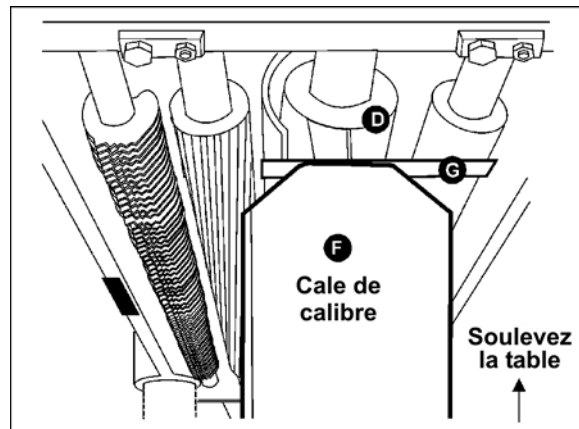


Figure 26

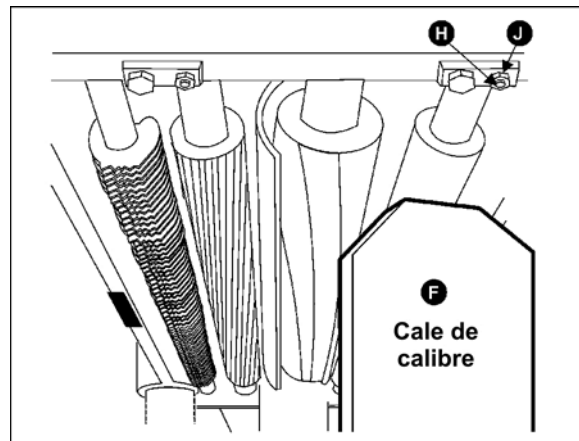


Figure 27

## Hauteur du rouleau d'entrée

Pour la vérification du rouleau d'entrée, utilisez exactement la même procédure que pour le rouleau de sortie. Utilisez le calibre d'épaisseur de 0,032" (0,81 mm) au dessus de la cale du calibre. S'il faut effectuer un réglage, utilisez le contre-écrou et une vis sur chaque extrémité du rouleau d'entrée.

## Hauteur du brise-copeaux

Le briseur de copeau brise les plus grandes ébréchures avant que la bille atteigne la tête de la découpeuse. Utilisez une cale de calibre pour définir le brise-copeaux même avec l'arc des couteaux en respectant la même procédure que celle indiquée ci-dessus. Au cas où des réglages sont nécessaires :

1. Déposez le couvercle supérieur.
2. Desserrez les contre-écrous (A, Figure 28) aux deux extrémités du brise-copeaux et tournez les vis de réglage pour le soulever ou l'abaisser selon le cas. Les vis de réglage doivent être tournées le même nombre de fois.
3. Lorsque le briseur de copeau touche la cale du calibre, serrez les contre-écrous (A, Figure 28).

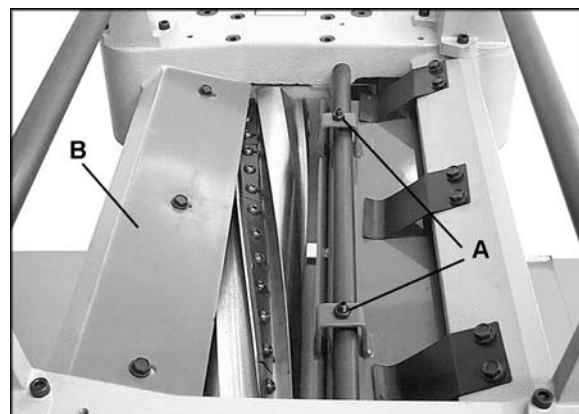


Figure 28



## Défecteur de copeau

Le défecteur de copeau (B, Figure 28) empêche que le bois tombe dans le rouleau de sortie. Le défecteur doit être réglé à environ 1/16" à 1/8" du bout des couteaux. Assurez-vous que le défecteur est dirigé pour permettre au biseau de son bord avant de correspondre à la forme de la tête de la découpeuse.

## Contrôle de la vitesse d'alimentation

Votre machine est équipée d'une spirale, d'un rouleau d'entrée dentelé et d'un solide rouleau de sortie en acier. Lorsque les rouleaux d'alimentation sont enclenchés, ils pivotent pour alimenter la bille. Les rouleaux d'alimentation ralentissent automatiquement lorsque la machine porte une lourde charge pour un excellent rabotage dans toutes les conditions. Les rouleaux d'alimentation sont entraînés par des chaînes et des pignons (Voir Figure 29) qui tirent leur énergie directement de la tête de la découpeuse jusqu'à la boîte de vitesse du bain d'huile. La chaîne de transmission ne nécessite pas de tension étant donné qu'un dispositif de tension (Figure 29) maintient la tension convenable à tout moment.

Pour accéder à la chaîne et aux pignons :

1. Séparez la roue à manuelle de la machine.
2. Retirez la vis à tête creuse du centre du couvercle et retirez la plaque triangulaire arrière gauche. Voir Figure 30.
3. Tirez le couvercle pour le détacher de la machine.

**⚠ AVERTISSEMENT** Installez toujours à nouveau le couvercle sur la chaîne et les pignons avant d'utiliser la raboteuse.

La boîte de vitesse comporte deux vitesses d'alimentation. Elles sont réglées en tirant ou en poussant le levier de changement (Figure 31). Changez toujours la vitesse d'alimentation pendant le fonctionnement de la machine. Une étiquette illustrant les positions du levier est apposée juste au dessus du levier. Elle est également illustrée à la Figure 32.

**⚠ ATTENTION** N'essayez pas de changer la vitesse d'alimentation lorsque la bille passe le long de la machine. La boîte de vitesses risque de subir des dégâts.

## Rouleaux de retour de la bille

Les deux rouleaux situés au dessus de la machine servent de support adéquat à la bille. Ils permettent à l'opérateur de gagner du temps et d'effectuer moins de mouvements lorsque la bille retourne vers le côté d'entrée.

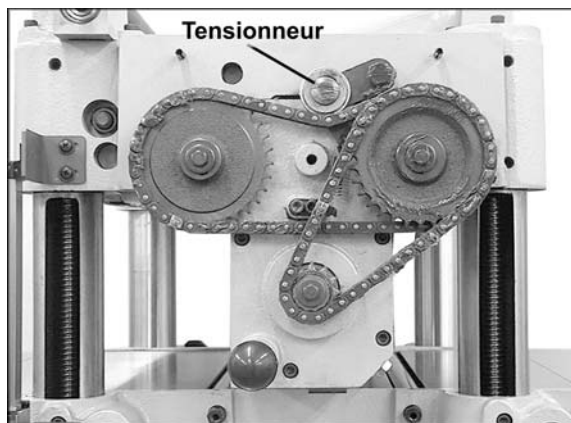


Figure 29

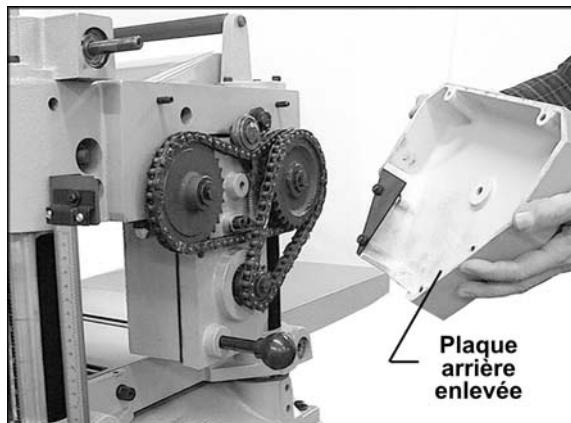


Figure 30

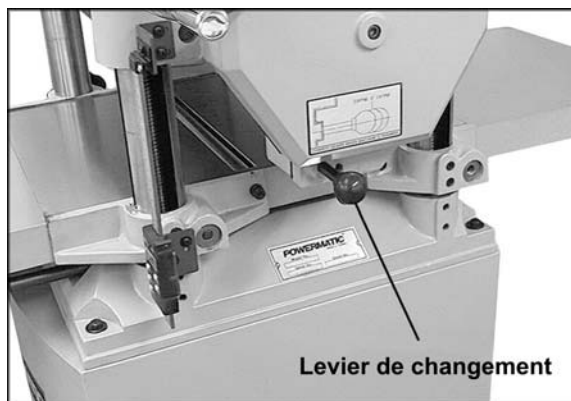


Figure 31

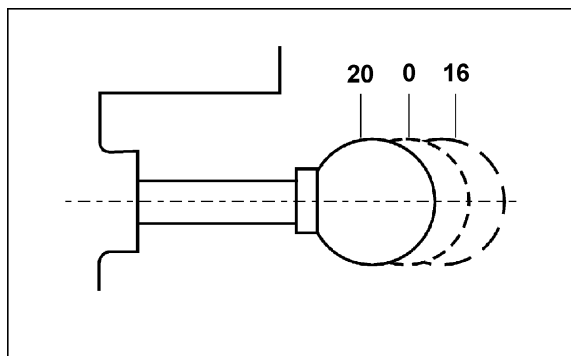


Figure 32

## Profondeur de la coupe

L'échelle de profondeur de coupe est une combinaison d'échelle de pouce/mètre (Figure 33), avec une moyenne de coupe allant de 0 à 6" (152,4mm). Une échelle manuelle est montée directement sur la colonne d'avant. La raboteuse de modèle 15S contient également une échelle digitale permettant de lire facilement et plus profondément la profondeur.

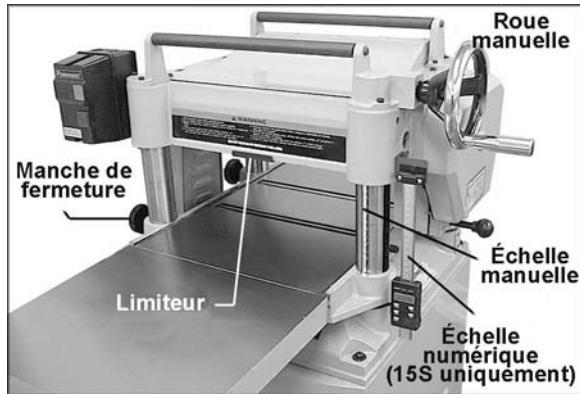


Figure 33

La distance du mouvement vers le haut et vers le bas est contrôlée par la roue manuelle (Figure 33). Avant de déplacer la table vers le haut ou vers le bas, desserrez les manches de fermeture (Figure 33). Après avoir atteint la position appropriée pour la table, serrez les manches de fermeture.

La profondeur maximale de coupe est de 3/16". Un limiteur (Figure 33) situé sur la partie avant de la moule de tête limite la profondeur de coupe sur le rabotage de la largeur pleine en dessous de 1/8".

L'échelle numérique doit être calibrée avant l'utilisation de la raboteuse. Référez-vous à la page 21.

## Maintenance



**AVERTISSEMENT** Déconnectez la machine de la source d'alimentation avant d'effectuer tous travaux de maintenance.

Des inspections périodiques et régulières doivent être effectuées pour assurer le bon réglage de la machine, le serrage adéquat de toutes les vis, le bon état des courroies ; elles sont nécessaires pour s'assurer qu'il n'y a pas de poussière accumulée dans les coffrets électriques et qu'il n'y a pas de connexion électrique usée ou desserrée.

L'accumulation de sciure et d'autres débris peut provoquer un rabotage inadéquat. Le nettoyage périodique n'est pas seulement recommandé, il est obligatoire pour un rabotage précis.

Les pièces ajustées telles que la fente de la tête de la découpeuse et les verrous doivent être nettoyées avec un torchon ou une brosse et un

solvant ininflammable et débarrassées de tout corps étranger collant.

Retirez la résine et d'autres accumulations des rouleaux d'alimentation et de la table à l'aide d'un torchon doux et d'un solvant ininflammable. Vérifiez périodiquement toutes les chaînes pour vous assurer que la tension est adéquate et réglez en conséquence si nécessaire.

La table doit être propre et sans rouille. Certains utilisateurs préfèrent la cire en pâte sur les surfaces en acier exposé et en fonte polie. La cire en pâte offre une couche de protection et réduit la friction entre le bois de sciage et la table, rendant les coupes plus faciles et plus lisses. Évitez de la cire contenant de la silicone ou d'autres ingrédients synthétiques. Ces matériaux peuvent pénétrer dans le bois de construction, le tacher et rendre la finition difficile.

L'autre option consiste à appliquer de la poudre de talc à l'aide d'une brosse feutrée que vous frottez vigoureusement une fois par semaine ; cette opération remplit les pores de moulage et forme une barrière contre l'humidité. Cette méthode fait briller le dessus de la table et permet de nettoyer facilement les taches de rouille de la surface. Il est également important de noter que la poudre de talc n'entache pas le bois et ne gâche pas les finitions comme la cire.

## Graissage

Les roulements sur la tête de la découpeuse sont graissés à l'usine et plombés une fois pour toutes. Ils n'ont pas besoin de graissage.

## Lubrifiant de la boîte de vitesses

Le lubrifiant contenu dans la boîte de vitesse doit être remplacé toutes les 2.500 heures. Un lubrifiant de boîte de vitesse à usage multiple sera approprié.

Pour remplacer le lubrifiant :

1. Déposez le robinet de vidange (A, Figure 34) à l'aide d'une clé de 14 mm et retirez le bouchon de remplissage (B-Figure 33). Vidangez complètement l'huile sale.
2. Insérez et serrez le robinet de vidange (A, Figure 34).
3. Remplissez avec du lubrifiant propre à travers un orifice (B, Figure 34).
4. Installez et serrez le bouchon de remplissage (B, Figure 34).

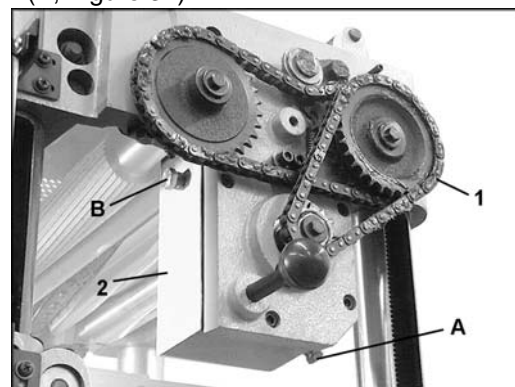


Figure 34

Les numéros d'éléments compris dans ce tableau sont référencés suivant les illustrations ci-contre.

N°	Position	Intervalle d'inspection	Types de lubrifiant appropriés	N° de la figure
1	Chaîne de transmission	Par mois	Graisse	34
2	Boîte de vitesses	Si utilisée pendant plus de 2500 heures	Huile de vitesse standard, poids 70-90	34
3	Rouleaux de retour	Périodiquement	SAE-30	36
4	Engrenage à vis sans fin	Par mois	Graisse	37
5	Vis mère	Par le trois mois	Graisse	37
6	Colonne	Par semaine	Nettoyez les colonnes et appliquez SAE-30	37
7	Chaîne de table	Par les 4 à 6 mois	Graisse ou lubrifiant de chaîne de bicyclette de bonne qualité	38
8	Rouleaux d'alimentation	Par jour	Nettoyez et appliquez SAE-30	39

Figure 35

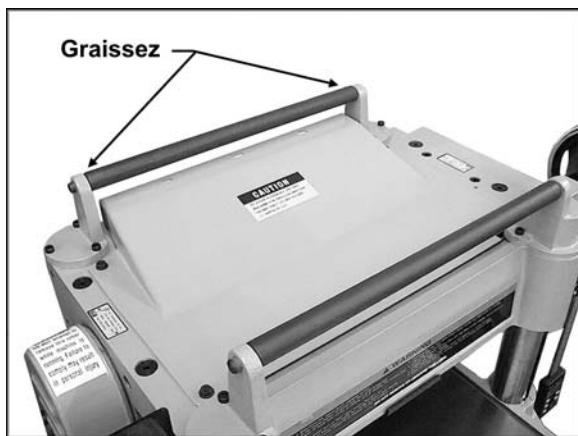


Figure 36

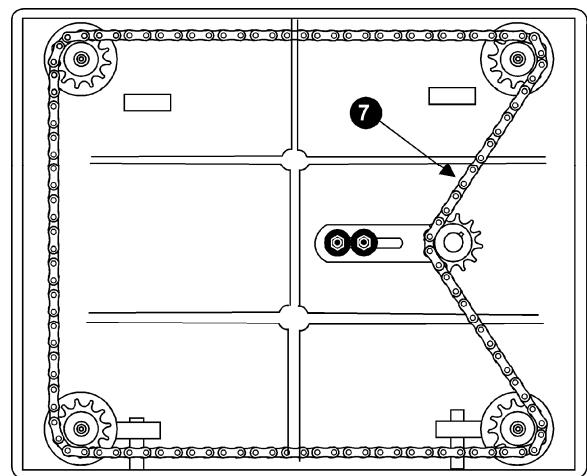


Figure 38

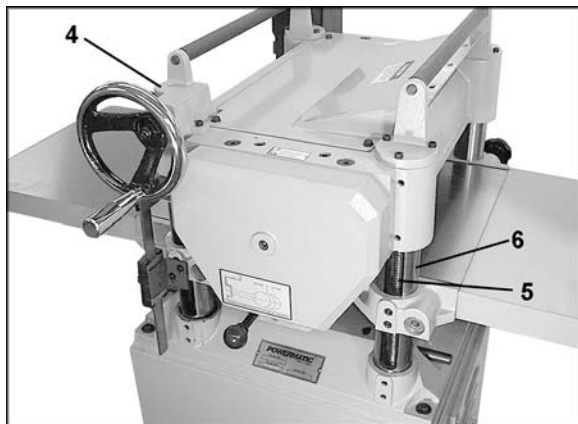


Figure 37



Figure 39

## Fonction de l'échelle numérique (Modèle 15S uniquement)

La Figure 40 identifie les parties de l'échelle numérique. Les fonctions du bouton sont évoquées ci-dessous, suivi d'une section donnant des exemples concrets sur la méthode de calibrage de vos paramètres et sur la façon dont ces fonctions peuvent être utilisées pour les utilisations journalières de la raboteuse.

Avant d'utiliser le dispositif, nettoyez l'échelle verticale à l'aide d'un tissu sec et souple. N'utilisez pas de solutions de nettoyage. Ne laissez pas les liquides (à l'instar de l'huile de la machine) entrer en contact avec le corps de l'affichage numérique. Maintenez le dispositif propre.

Le dispositif utilise une batterie de 1.55 volt (SR44) S'il s'avère nécessaire de la remplacer (voir Diagnostic des anomalies à la page 26 pour déterminer cela), faites coulisser le couvercle de la batterie la retirer et insérez la batterie, la borne positive orientée vers l'extérieur. **REMARQUE :** Après le remplacement de la batterie, la configuration de l'affichage numérique retourne à son mode par défaut (zéro) et doit être à nouveau calibrée.

### ON/OFF/ZERO (ACTIVÉ/DÉSACTIVÉ/ZÉRO) – alimentation et configuration zéro

Appuyez sur le bouton ON/OFF/ZERO (ACTIVÉ/DÉSACTIVÉ/ZÉRO) pendant pas plus de 3 secondes pour activer.

Appuyez sur le bouton ON/OFF/ZERO (ACTIVÉ/DÉSACTIVÉ/ZÉRO) pendant au moins de 3 secondes pour désactiver l'affichage numérique.

Pendant que cette dernière se trouve en mode relatif, appuyez sur le bouton ON/OFF/ZERO (ACTIVÉ/DÉSACTIVÉ/ZÉRO) (pendant pas plus de 3 secondes) pour définir la position en court en tant que point zéro relatif.

Pendant que cette dernière se trouve en mode absolu, appuyez sur le bouton ON/OFF/ZERO (ACTIVÉ/DÉSACTIVÉ/ZÉRO) (pendant pas plus de 3 secondes) pour définir la position en court en tant que point zéro absolu.

### ABS –modes relatif/absolu

Le dispositif se trouve en mode absolu dès que l'alimentation est activée et affiche le zéro absolu. Le déplacement de la table de la raboteuse vers le haut et vers le bas engage la mesure absolue. La mesure absolue est définie en fonction de la distance entre la tête de la découpeuse et la table et représente par conséquent l'épaisseur de votre tableau.

Appuyez sur le bouton ASB (pendant pas plus de 3 secondes) pour passer au mode relatif.

“INC” apparaît sur l'affichage. La valeur affichée se trouve en mode relatif; il s'agit d'une position incrémentale qui peut être ramenée à zéro en tout point et elle détermine non pas l'épaisseur d'un panneau, mais la quantité de matériel qui sera retirée d'un panneau. Le déplacement de la table vers le haut et vers le bas affiche alors la mesure jusqu'à ce que vous appuyiez à nouveau sur ABS pour retourner au mode relatif.

**IMPORTANT :** Placez toujours l'affichage numérique en mode relatif (“INC”) avant de la désactiver. Si vous la désactivez pendant qu'elle se trouve en mode (“ABS”), votre configuration absolue retourne à sa valeur zéro par défaut.

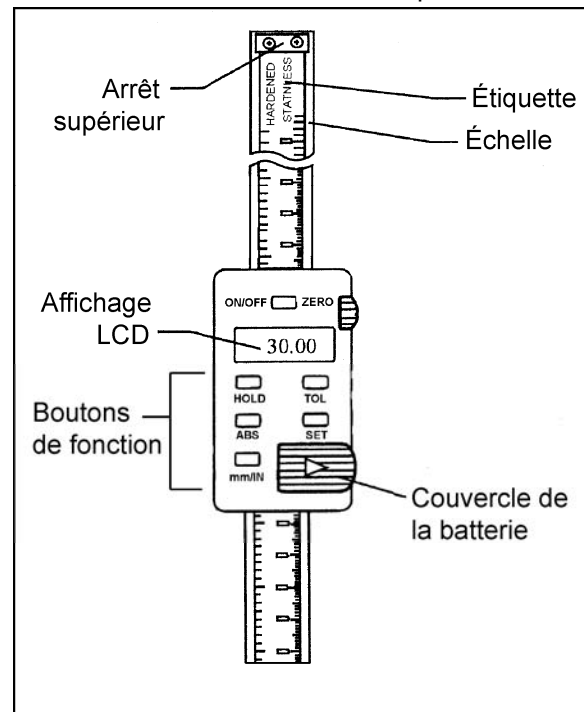


Figure 40

### MM/PO – millimètres/pouces

Le fait d'appuyer sur ce bouton fait basculer vers l'arrière et vers l'avant entre standard et métrique et cela peut se faire à tout moment sans toutefois affecter les paramètres enregistrés.

### Maintenir – maintient les données sur l'affichage.

Appuyez sur ce bouton pour "bloquer" une mesure sur l'affichage. Celle-ci reste ainsi même si la table se déplace. Appuyez à nouveau sur MAINTENIR et cela retourne aux mesures normales.

### DÉFINIR – Prédéfinir une valeur

Appuyez sur DÉFINIR et l'indicateur signale "DÉFINIR". Appuyez et maintenez le bouton DÉFINIR, puis chaque chiffre clignote à son tour. Lorsque le chiffre voulu clignote, relâchez le bouton. Appuyez une fois sur le bouton DÉFINIR (pendant pas plus d'une seconde) et le chiffre en question augmente d'un chaque fois

que vous appuyez sur le bouton DÉFINIR. À la fin, appuyez et maintenez le bouton DÉFINIR jusqu'à ce l'indicateur "DÉFINIR" clignote, puis appuyez à nouveau sur DÉFINIR (pendant pas plus d'une minute). L'indicateur "DÉFINIR" disparaît et la valeur que vous venez d'entrer s'affiche sur l'écran.

À partir de ce niveau, chaque déplacement de la table sera fonction de ce paramètre. Ce paramètre sera conservé dans la mémoire du dispositif même lorsque l'affichage numérique est désactivé. Par ailleurs, le paramètre ne nécessite une réinitialisation que lorsque la batterie se décharge et doit être remplacée.

#### **TOL – Réglage de la tolérance**

Cette fonction n'est en général pas utilisée lors de l'utilisation de la raboteuse. Cependant, elle est expliquée dans le présent document pour des besoins de référence.

Appuyez sur TOL et un indicateur de flèche montante apparaît, ainsi qu'un indicateur "DÉFINIR" clignotant. Vous pouvez à présent changer la limite de la tolérance supérieure. Maintenez le bouton TOL et chaque chiffre clignote à son tour. Lorsque le chiffre voulu clignote, relâchez le bouton TOL.

Appuyez une fois sur le bouton TOL (pendant pas plus d'une seconde) et le chiffre en question augmente d'un chaque fois que vous appuyez sur le bouton TOL.

À la fin, appuyez et maintenez le bouton TOL jusqu'à ce que l'indicateur "DÉFINIR" clignote. Pendant que l'indicateur "DÉFINIR" clignote, appuyez sur le bouton DÉFINIR pour passer à l'indicateur de flèche descendante. Vous pouvez alors modifier la limite de la tolérance inférieure de la même manière que celle de la tolérance supérieure.

À la fin du réglage de la limite de la tolérance inférieure, alors que l'option "DÉFINIR" de l'indicateur clignote, appuyez sur le bouton DÉFINIR (pendant pas plus d'une seconde). Le dispositif se trouve à présent en mode de mesure de la tolérance. Lorsque l'indicateur de flèche montante s'affiche, cela signifie que la valeur se trouve au delà de la limite supérieure. Lorsque l'indicateur de flèche descendante s'affiche, cela signifie que la valeur mesurée se trouve au delà de la limite inférieure. Lorsque l'affichage indique un indicateur "OK", cela signifie que la valeur mesurée se trouve dans la tolérance.

## **Calibrage et utilisation de l'échelle numérique**

### **Alignement de l'échelle**

Le dispositif d'échelle a été monté et aligné avec la table de la raboteuse depuis l'usine. L'échelle doit être dans la position verticale et le dispositif numérique doit glisser en douceur tout au long de l'échelle. Vérifiez par moment si les vis reliant

le dispositif à la raboteuse sont serrés. Au cas où un réalignement de l'échelle est requis, les fentes sont fournies dans les supports de fixation (Fig. 41).

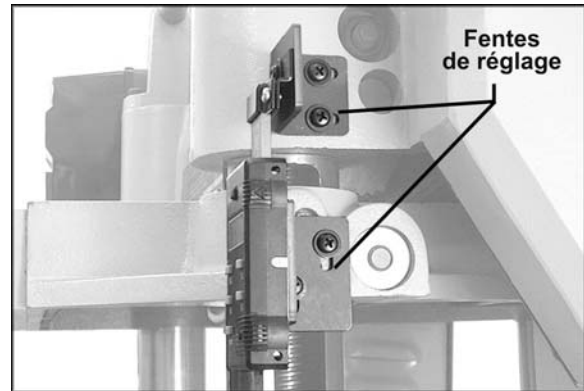


Figure 41

### **Établissez un zéro absolu**

L'une de vos premières étapes consiste à "remettre à zéro" l'échelle numérique en mode absolu. Cela équivaut à rechercher le point de contact exact entre le couteau de la tête de la découpeuse et la table. Cela ne peut pas se faire simplement en soulevant la table, étant donné que le limiteur de profondeur situé sur le moule de tête empêche le contact entre la table et la tête de la découpeuse. Il existe cependant deux méthodes d'établissement du zéro en mode absolu relativement faciles :

**La méthode 1** utilise un calibre, à l'instar du calibre de hauteur ou une cale de calibre de fabrication artisanale (voir Fig. 17). Si vous utilisez une cale de calibre de fabrication artisanale, assurez-vous qu'elle respecte les spécifications de coupe.

1. Débranchez la machine de la source d'énergie.
2. Activez l'affichage numérique. Il s'active en mode absolu.
3. Placez le calibre sur la table de la raboteuse et sous la tête de la découpeuse. (Assurez-vous que le calibre est solidement posé sur la table et non sur les rouleaux de la table.)
4. Soulevez la table jusqu'à ce que le calibre touche juste le point le plus bas d'un couteau. Secouez légèrement la tête de la découpeuse (utilisez la poulie à cet effet) pour vous assurer que le point haut du couteau entre en contact avec le calibre.
5. L'indication sur le calibre ou la hauteur de la cale du calibre doit à présent être entrée dans l'affichage numérique. Référez-vous aux instructions ci-dessus comprenant la fonction du bouton "DÉFINIR" pour entrer ce nombre dans votre affichage numérique.

**La méthode 2** utilise un panneau de fragments et un compas.

1. Activez l'affichage numérique. Il s'active en mode absolu.

2. Rabotez un côté du panneau de fragments à une profondeur de coupe approprié et sauve (1/16" par exemple).
3. Soulevez la table à la même hauteur (1/16"), puis retournez le panneau et rabotez l'autre côté. Ne déplacez pas la table de sa position actuelle.
4. Mesurez soigneusement le panneau raboté à l'aide du compas. (Notre exemple de la Fig. 12 illustre l'indication du compas .850"). La mesure du panneau fini est l'équivalent de la distance entre la table et le couteau.
5. Entrez la mesure du compas dans l'affichage numérique. Référez-vous aux instructions ci-dessus comprenant la fonction du bouton DÉFINIR pour entrer ce nombre dans votre affichage numérique. (La Figure 42 illustre la mesure de 850" à présent définie dans l'affichage numérique.)



Figure 42

### Utilisation du mode de mesure relative

Le paramètre absolu, pour lequel vous êtes supposé déjà avoir établi le point zéro, fourni la largeur de votre panneau fini après la coupe (distance entre la table et la tête de la découpeuse).

Le mode de mesure relative est important pour la mesure de la quantité de bille que vous désirez enlever uniquement (c'est-à-dire la profondeur de la coupe) et exclu le fait d'ajouter ou de soustraire pour trouver le paramètre qui convient. Il est particulièrement important lorsque vous rabotez plusieurs panneaux de même épaisseur.

Vous avez ici un exemple d'utilisation de la mesure relative.

1. Vous avez raboté un panneau à un paramètre d'un pouce comme mesure absolue. Ne déplacez pas la table de cette position. Vous désirez augmenter la

profondeur de la coupe sur le tirage suivant de 0,63 pouce.

2. Appuyez sur le bouton ABS pour déclencher le mode de mesure relative ("INC" apparaît sur l'affichage).
3. Suivez les instructions précédentes relatives à l'utilisation de la fonction du bouton DÉFINIR. Vous aurez entré des zéros pour tous les chiffres, établissant de ce fait le paramètre zéro pour le mode de mesure relative.
4. Après avoir défini le paramètre zéro, ramenez la table vers le haut jusqu'à ce que l'affichage numérique indique ".065" pouces en mode de mesure relative. Vous pouvez alors raboter votre panneau et obtenir des résultats exacts. Évidemment, vous pouvez à présent avancer et reculer entre les modes relatif et absolu (en appuyant sur le bouton ABS) et obtenir les indications de l'épaisseur de la bille et de la profondeur de coupe au même moment.

### Nettoyage d'un panneau bloqué

Si vous déplacer temporairement la table de la raboteuse (pour dégager un panneau bloqué par exemple) servez-vous du bouton MAINTENIR pour vous rappeler de votre paramètre de départ.

1. Si un panneau se bloque, appuyez sur le bouton MAINTENIR. Votre paramètre sera "bloqué" sur l'affichage.
2. Abaissez la table et dégagez le blocage.
3. Soulevez à nouveau la table à l'emplacement général et mémorisez le nombre "bloqué" sur l'affichage.
4. Appuyez sur MAINTENIR pour ramener l'affichage à la mesure absolue et ajustez la table jusqu'à ce qu'elle corresponde à la mesure précédemment bloquée sur l'affichage.

REMARQUE : Le bouton MAINTENIR n'enregistre pas de façon permanente un paramètre. Lorsque vous appuyez sur le bouton une deuxième fois, le nombre disparaît.

### Autres usages

L'échelle numérique a été conçue pour permettre à l'utilisateur d'économiser son temps et son énergie, augmentant de ce fait la productivité. Étant donné que vous devenez compétent dans l'utilisation de l'affichage numérique et que vous cherchez à savoir comment utiliser une fonction en relation avec une autre, vous serez en mesure d'adapter ces fonctions à vos habitudes de travail et pour satisfaire vos besoins de rabotage.

## Diagnostic des anomalies : Problèmes de fonctionnement

Anomalies	Cause possible	Solution
Étirement. <i>(NOTE : (Vous ne pouvez pas supprimer l'étirement mais vous pouvez le réduire au point de le rendre négligeable.)</i>	Rouleaux de table mal réglés.	Réglez les rouleaux à la hauteur appropriée.
	Support inadéquat de longs panneaux.	Soutenez les longs panneaux avec des rouleaux d'extension.
	Pression déséquilibrée du rouleau d'alimentation de l'avant vers l'arrière.	Réglez la pression du rouleau d'alimentation.
	Couteaux ou coupe-paraisons émoussés.	15S : Aiguissez ou remplacez les couteaux. 15HH : Faites pivoter ou remplacez les paraisons.
	Bois de construction mal abouté.	Aboutez l'extrémité pour achever chaque bille au fur et à mesure qu'elle passe.
Grain touffu.	Bois de rabotage très humide.	Retirez l'humidité en séchant ou utilisez une bille différente.
	Couteaux ou coupe-paraisons émoussés.	15S : Aiguissez ou remplacez les couteaux. 15HH : Faites pivoter ou remplacez les paraisons.
Grain déchiré.	Coupe trop lourde.	Réglez la profondeur appropriée de la coupe.
	Couteaux (ou paraisons) coupant contre le grain.	Coupez le long du grain si possible.
	Couteaux ou coupe-paraisons émoussés.	15S : Aiguissez ou remplacez les couteaux. 15HH : Faites pivoter ou remplacez les paraisons.
Grain rugueux/soulevé.	Couteaux ou coupe-paraisons émoussés.	15S : Aiguissez ou remplacez les couteaux. 15HH : Faites pivoter ou remplacez les paraisons.
	Coupe trop lourde.	Réglez la profondeur appropriée de la coupe.
	Bois de rabotage très humide.	Retirez l'humidité en séchant ou utilisez une bille différente.
Surface arrondie ou brillante.	Couteaux ou coupe-paraisons émoussés.	15S : Aiguissez ou remplacez les couteaux. 15HH : Faites pivoter ou remplacez les paraisons.
	Vitesse d'alimentation trop lente.	Augmentez la vitesse d'alimentation.
	Profondeur de coupe trop basse.	Augmentez la profondeur de coupe.
Mauvaise alimentation du bois de construction.	Pression inadéquate du rouleau d'alimentation.	Réglez la tension du rouleau d'alimentation. Si vous ne pouvez pas obtenir une tension appropriée, remplacez les rouleaux d'alimentation.
	Table de la raboteuse rugueuse et sale.	Aplanissez la table, nettoyez les résidus et appliquez de la cire en pâte.
	La courroie des poulies glisse.	Serrez la courroie.
	La surface du rouleau d'alimentation est bouchée.	Nettoyez les résidus sur le rouleau.

## Diagnostic des anomalies : Problèmes mécaniques et électriques

Anomalies	Cause possible	Solution
Profondeur de coupe inadéquate de part et d'autre.	La projection du couteau depuis la tête de la découpeuse est incorrecte (15S uniquement)	Réglez la projection du couteau.
	Table non parallèle à la tête de la découpeuse.	Réglez le parallélisme table/tête de la découpeuse.
L'épaisseur du panneau ne correspond pas à la profondeur de l'échelle de coupe.	Profondeur de l'échelle de coupe incorrecte.	Réglez la profondeur de l'échelle de coupe.
La chaîne saute.	Tension inadéquate.	Réglez la tension de la chaîne.
	Pignons mal alignés.	Alignez les pignons.
	Pignons usés.	Remplacez les pignons.
La machine ne démarre/redémarre pas ou déclenche de des courts-circuits ou grille des fusibles à maintes reprises.	La machine ne reçoit pas d'énergie	Vérifiez les connexions électriques de la raboteuse.
	Réinitialisation automatique de surcharge non effectuée.	Lorsque la raboteuse surcharge le disjoncteur incorporé dans le démarreur du moteur, il faut du temps à la machine pour qu'elle refroidisse avant de redémarrer. Laissez l'unité refroidir complètement avant d'essayer de redémarrer. Si le problème persiste, vérifiez le paramètre d'amp sur le démarreur du moteur situé dans le coffret électrique.
	La raboteuse se déclenche régulièrement.	L'une des causes du déclenchement de surcharge de nature non électrique est une coupe trop lourde. La solution consiste à entreprendre une coupe plus légère. Si la profondeur excessive de la coupe n'est pas la cause, alors vérifiez le paramètre amp du relais de surcharge. Faites correspondre les amps de pleine charge sur le moteur à celles indiquées sur la plaque du moteur. Si le paramètre de l'amp est correct alors, il y a probablement un fil électrique déconnecté. Vérifiez le paramètre amp sur le démarreur du moteur.
	Le compartiment du disjoncteur se déclenche ou le fusible grille.	Vérifiez que la raboteuse est sur un circuit de taille correcte. Si la taille du circuit est correcte, il y a probablement un fil électrique déconnecté. Vérifiez le paramètre amp sur le démarreur du moteur.



Anomalies	Cause possible	Solution
	Branchements électriques déconnectés.	Inspectez toutes les connexions électriques sur la raboteuse, y compris les connexions du moteur, en vérifiant l'épaisseur de chacune d'elles. Recherchez un signe d'arc électrique qui constitue une indication sûre de branchements déconnectés ou de surcharge du circuit.
La machine ne démarre/redémarre pas ou déclenche de des courts-circuits ou grille des fusibles à maintes reprises. (suite)	Panne du démarreur du moteur.	Examinez le démarreur du moteur pour voir s'il y a des composants brûlés ou défectueux. Si vous décelez des dégâts, remplacez le démarreur du moteur. S'il est correct mais semble toujours bizarre, vous avez deux options : faire tester le démarreur du moteur par un électricien qualifié pour voir s'il fonctionne bien ou acheter un nouveau démarreur et déterminer la nature du problème au moment de changer le démarreur. Si vous disposez d'un voltmètre, vous pouvez différencier une panne de démarreur d'une panne de moteur en vérifiant tout d'abord la tension d'entrée à 230+/-10% et ensuite en vérifiant la tension entre le démarreur et le moteur à 230+/-10%. Si la tension d'entrée est inappropriée, alors vous avez un problème d'alimentation électrique. Si la tension entre le démarreur et le moteur est inappropriée, alors vous avez un défaut de démarreur. Si la tension entre le démarreur et le moteur est correcte, alors vous avez un problème avec le moteur.
	Panne de moteur.	Si le moteur électrique est bizarre, vous avez deux options : Faire tester le moteur par un électricien qualifié pour voir s'il fonctionne bien ou retirer le moteur et l'amener chez un bon réparateur de moteur électrique et le faire tester.
	Circuit électrique de l'unité mal connectée.	Vérifiez pour vous assurer que tous les branchements électriques sont corrects et bien connectés. Effectuez toutes les corrections nécessaires.
	Défaut du commutateur d'activation/désactivation.	Si le commutateur d'activation/désactivation est bizarre, vous avez deux options : faire tester le commutateur par un électricien qualifié pour voir s'il fonctionne bien ou acheter un nouveau commutateur d'activation/désactivation et déterminer la nature du problème au moment du changement.

## Diagnostic des anomalies : Échelle numérique - Modèle 15S uniquement

Anomalies	Cause possible	Solution
Chiffres clignotant.	Baisse de tension.	Remplacez la batterie.
Chiffres verrouillé.	Mémoire hasardeuse.	Retirez la batterie, patientez pendant trente secondes et insérez-la à nouveau.
Pas d'affichage.	Mauvais contact de la batterie.	Améliorez le contact de la batterie.
	Baisse de tension.	Remplacez la batterie.
Affiche uniquement '0000'.	Court –circuit du ressort de définition du zéro et source de signal plus coulissant.	Retirez le châssis et ajustez le ressort.
Les boutons de fonction ne fonctionnent pas.	Déformation des ressorts du fait de la surpression.	Retirez le châssis et ajustez les ressorts.

## Cadenas d'aiguillage

Pour protéger la machine contre toute manipulation non autorisée et pour éviter que des enfants ne la démarrent, il est vivement recommandé d'utiliser un cadenas (non fourni).

Pour bloquer un commutateur en mode activé/désactivé

(Figure 43) :

1. Ouvrez le cadenas.
2. Insérez-le à travers les trous du bouton de démarrage.
3. Fermez le cadenas.
4. Stocker clé de cadenas en lieu sûr.

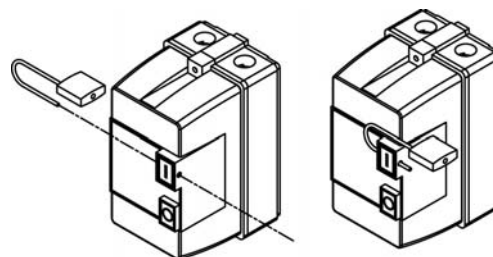


Figure 43

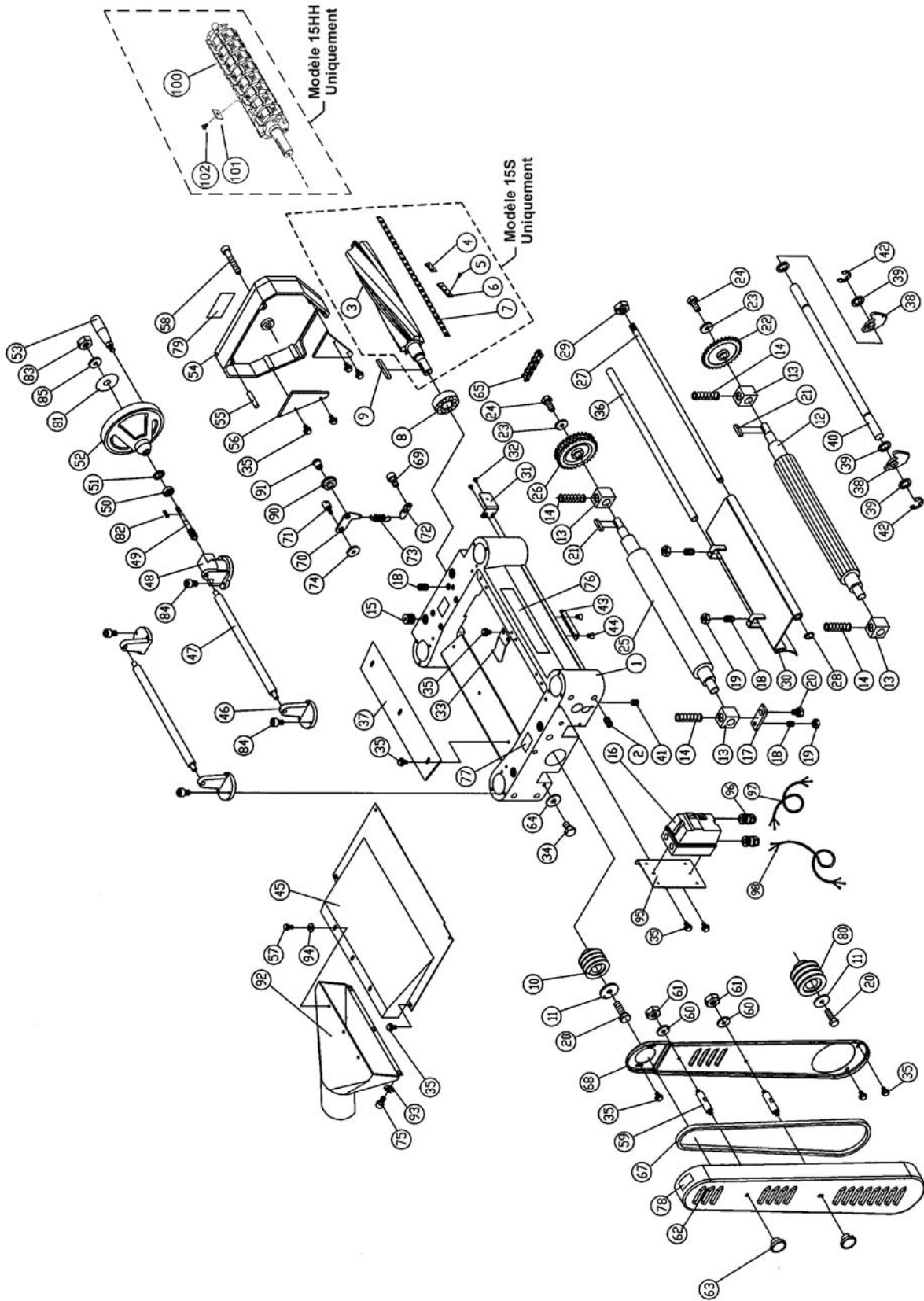
## Accessoires en option

708816	Couteaux (jeu de 3) – <i>Modèle 15S uniquement</i>
15S-600	Batterie pour échelle numérique - <i>Modèle 15S uniquement</i>
15S-601	Couvercle de la batterie - <i>Modèle 15S uniquement</i>
1791212	Coupe-paraisons (jeu de 10) <i>pour le modèle 15HH uniquement</i>
708520	Kit de rééquipement DRO

## Pièces de rechange

Les pièces de rechange sont répertoriées dans les pages suivantes. Pour commander des pièces ou contacter notre département d'entretien, appelez au 1-800-274-6848, de lundi à vendredi (visitez notre site Internet pour les horaires de travail : [www.powermatic.com](http://www.powermatic.com)). Si vous connaissez le numéro du modèle et le numéro de série de votre machine au moment où vous nous appelez, cela nous permettra de vous servir rapidement et avec précision.

# Tête



## Liste des pièces : Tête

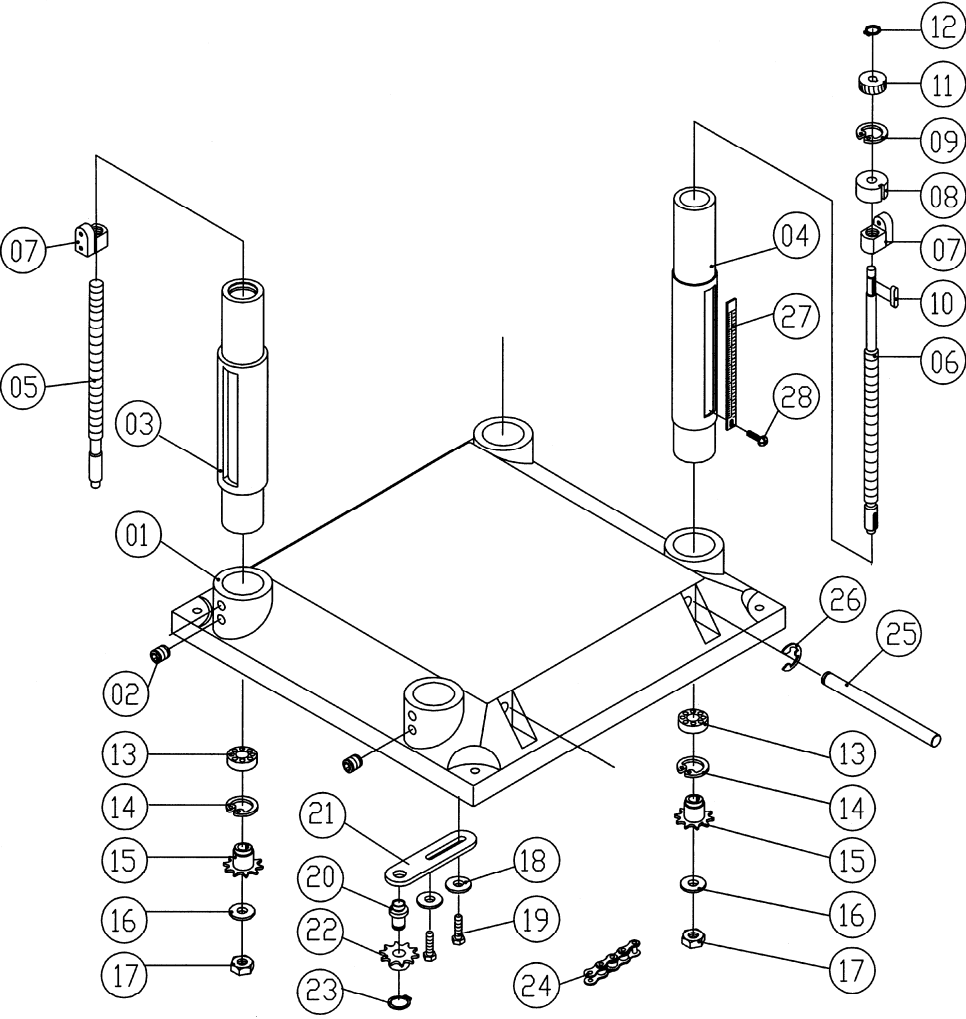
N° d'indice	N° de la pièce	Description	Taille	Qté
	15S-201	Dispositif de la tête de la découpeuse (Éléments 3 à 9)		1
1	6284753	Boîte du rouleau		1
2	TS-1525011	Vis de réglage creuse	M10x10	8
3	15S-203	Tête de la découpeuse hélicoïdale*		1
4	15S-204	Court verrou*		3
5	15S-205	Vis à tête hexagonale ronde*	M6x1.0Px14L	42
6	15S-206	Long verrou*		12
7	708816	Couteau hélicoïdal*		3
8	6284759	Roulement	6205-2NSE	1
9	6284760	Clé	8x8x36	1
10	6284761	Poulie entraînée		1
11	TS-1550061	Rondelle plate	M8	2
12	6284763	Rouleau d'entrée		1
13	6284764	Support de blocage		4
14	6284765	Ressort		4
15	6284766	Vis	M22-1.5Px20L	4
16	15S-216A	Commutateur magnétique	3HP, 1PH, 230V	1
	15S-216AC	Commutateur de contacteur (non illustré)	3HP, 1PH, 230V	1
	15S-216AO	Relais de surcharge (non illustré)	3HP, 1PH, 230V	1
17	6284767	Support		4
18	TS-1523051	Vis de réglage creuse	M6x16	7
19	TS-1540041	Écrou hexagonal	M6-1.0P	6
20	TS-1490041	Vis à tête hexagonale	M8x25	2
21	6284770	Clé	5x5x22	2
22	6284771	Pignon	31T	1
23	TS-1550041	Rondelle plate	M6	2
24	TS-1482031	Vis à tête hexagonale	M6x16	2
25	6284774	Rouleau de sortie		1
26	6284775	Pignon	1T	1
27	6284776	Arbre		1
28	6284777	Anneau de blocage	TW-12	1
29	TS-1540081	Écrou hexagonal	M12	1
30	6284779	Briseur de copeau		1
31	15S-231	Plaque*		1
32	15S-232	Vis*	5-0.8Px8L	2
33	6284780	Support		3
34	TS-1482021	Vis à tête hexagonale	M6x12	4
35	6284781	Vis à tête hexagonale avec rondelle	M6-1.0Px12L	23
36	6284782	Arbre de déflecteur de copeau		1
37	6284783	Plaque de déflecteur de copeau		1
38	6284784	Cliquet anti-recul		39
39	6284785	Entretoise		40
40	6284786	Arbre		1
41	TS-1524031	Vis de réglage creuse	M8	1
42	6284788	Bague en E	ETW-15	2
43	6284789	Limiteur de profondeur		1
44	6284790	Vis à métaux à tête fraisée de marque Phillips	M5-0.8Px8L	2
45	6284791	Pare-poussière		1
	6284792	Dispositif de rouleau		1
46	6284793	Support de rouleau		3
47	6284794	Rouleau		2
48	6284795	Boîte d'engrenage sans fin		1
49	6284796	Engrenage à vis sans fin		1
50	6284797	Roulement		1
51	6284798	Anneau de blocage	RTW-30	1

\* N°s d'indice 3, 4, 5, 6, 7, 31 et 32 sont utilisés uniquement sur le modèle 15S de la raboteuse.

N° d'indice	N° de la pièce	Description	Taille	Qté
52	6284799	Roue manuelle		1
53	6284828	Manche	3/8-16NC	1
54	6284700	Couvercle		1
55	6284701	Broche du ressort	6-20	2
56	6284702	Plaque		2
57	TS-1481021	Vis à tête hexagonale	M5x10	3
58	TS-1504091	Vis de bouchon de tête de la prise de courant	M8x45	1
59	6284804	Goujon		2
60	TS-0680031	Rondelle plate	5/16	2
61	TS-0561021	Écrou hexagonal	5/16-18	2
62	15S-262	Couvercle de la poulie		1
63	6284808	Écrou		2
64	TS-1550061	Rondelle plate	M8	4
65	6284810	Chaîne	06B-63	1
67	6284811	Courroie	M59	3
68	6284812	Protection, poulie		1
69	TS-1503021	Vis de bouchon de tête de la prise de courant	M6x10	2
70	6284814	Support		1
71	6284815	Arbre		1
72	6284818	Boucle		1
73	6284819	Ressort	1.2	1
74	6284720	Rondelle plate	8.2x22x4.5T	1
75	TS-1503031	Vis de bouchon de tête de la prise de courant	M6x12	3
76	6284820	Étiquette d'avertissement		1
77	6284821	Étiquette de graissage		2
78	15S-278	Étiquette d'avertissement		1
79	6284823	Étiquette de vitesse		1
80	6284824	Poulie du moteur		1
81	6284830	Étiquette de direction de la roue manuelle		1
82	6284712	Clé	4x4x10	1
83	TS-1540071	Écrou hexagonal	M10	1
84	TS-1503051	Vis de bouchon de tête de la prise de courant	M6x20	12
85	6284718	Rondelle plate	10x20x1.5T	1
90	6284816	Poulie du tendeur		1
91	6284817	Arbre		1
92	6284825	Capot antipoussière		1
93	TS-2361061	Rondelle de verrouillage	M6	3
94	TS-1550031	Rondelle plate	M5	3
95	15S-295	Plaque de commutateur		3
96	15S-296	Allègement de contrainte		3
97	15S-297	Rallonge du moteur		3
98	15S-298	Rallonge d'alimentation		3
99	15S-299	Goupille de réglage du couteau (pas illustrée) <i>Modèle 15S uniquement.</i>		2
100	1791211A	Tête de la découpeuse hélicoïdale** ( <i>N° de série 170615HH7145 et supérieur</i> )		1
101	1791212A	Coupe-paraison (jeu de 10)**	15x15x2.5mm	75
102	15HH-2102A	Vis de coupe-paraison**	10-32x1/2, T25P	75
	15S-HK	Trousse de matériel pour modèle 15S (voir page 9 pour éléments inclus)		

\*\* N°s d'indice 100, 101 et 102 sont utilisés uniquement sur le modèle 15HH de la raboteuse.

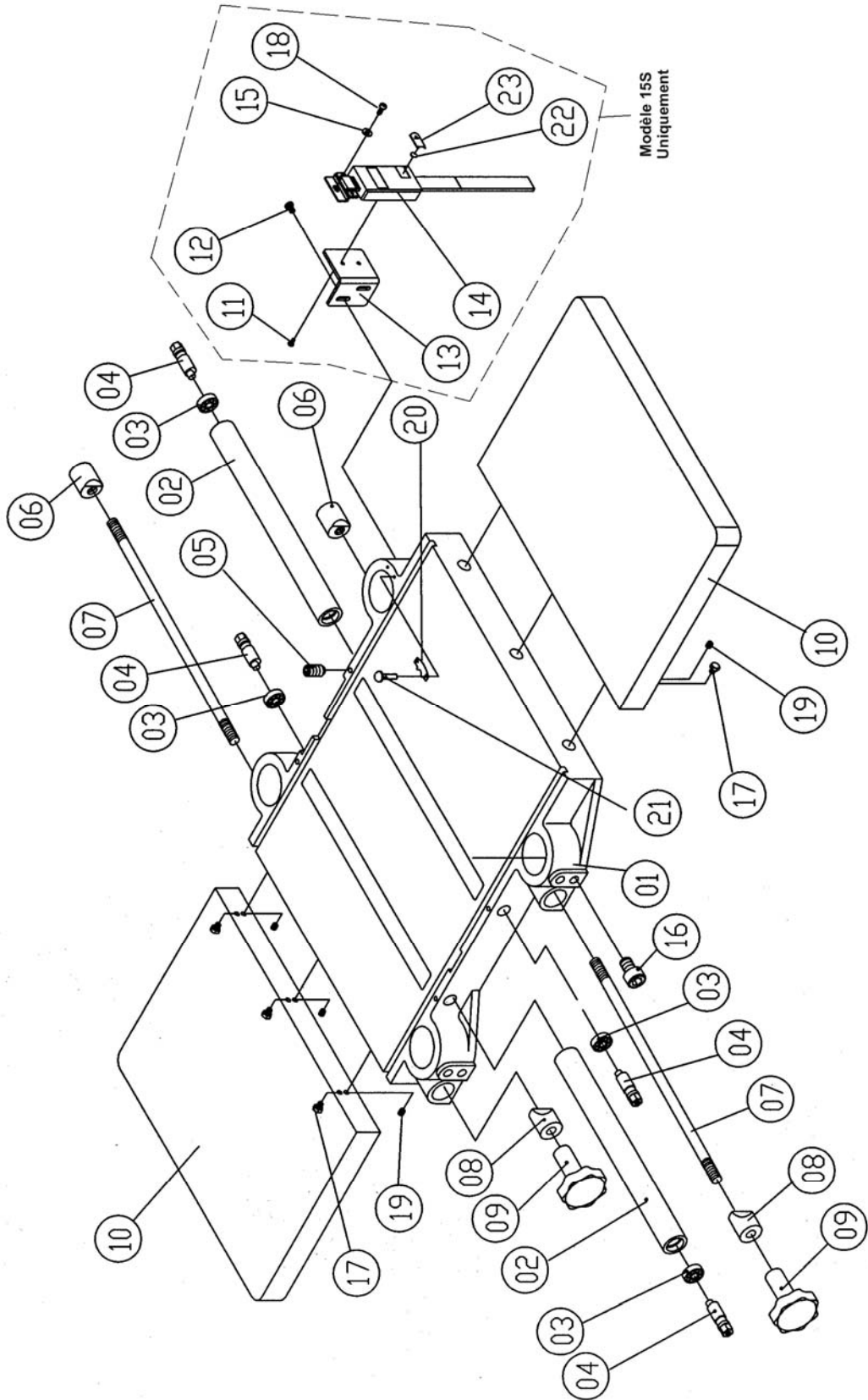
Dispositif du socle



## Liste des pièces : Dispositif du socle

N° d'indice	N° de la pièce	Description	Taille	Qté
1	6284703	Socle		1
2	TS-1525021	Vis de réglage creuse	M10x12	8
3	6284705	Colonne		3
4	6284706	Colonne du carter du moteur		1
5	6284707	Vis mère		3
6	6284708	Bielle de la vis mère		1
7	6284709	Écrou en plomb		4
8	6284710	Douille		1
9	6284711	Anneau de blocage, interne	RTW-38	1
10	6284712	Clé	4x4x10	1
11	6284713	Engrenage		1
12	6284714	Anneau de blocage	STW-10	1
13	6284715	Roulement	6202Z	4
14	6284716	Anneau de blocage, interne	RTW-35	4
15	6284717	Pignon		4
16	TS-1550071	Rondelle plate	M10	4
17	TS-1540071	Écrou hexagonal	M10	4
18	TS-1550061	Rondelle plate	M8	2
19	TS-1490041	Vis à tête hexagonale	M8x25	2
20	6284722	Arbre		1
21	6284723	Support de tension		1
22	6284724	Pignon		1
23	6284725	Anneau de blocage	STW-15	1
24	6284726	Chaîne	41x134P	1
25	6284727	Barre de levage		4
26	6284728	Bague en E	ETW-12	4
27	6284729	Échelle		1
28	6284730	Vis	M3-0.5Px6L	1

# Dispositif de la table



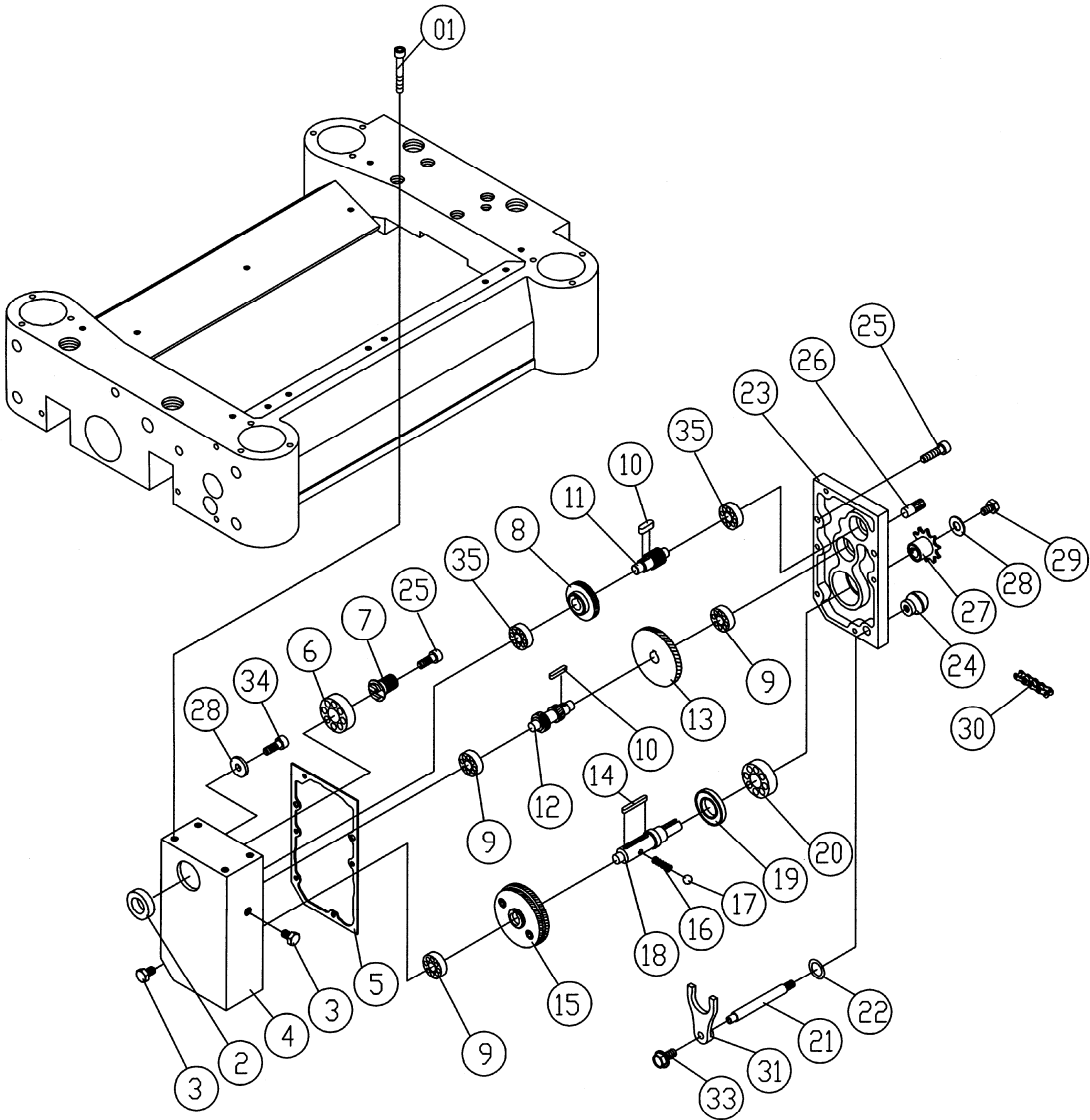


## Liste des pièces : Dispositif de la table

N° d'indice	N° de la pièce	Description	Taille	Qté
1	15S-301	Table		1
2	6284732	Rouleau de la table		2
3	6284733	Roulement		4
4	6284734	Régleur excentrique		4
5	TS-1523041	Vis de réglage creuse	M6x12	4
6	6284737	Écrou de blocage		2
7	6284738	Abre fileté		2
8	6284736	Douille de blocage		2
9	6284739	Bouton	M12-1.75P	2
10	15S-310	Extension de la table de fil du moule		2
11	TS-1531012	Vis à métaux à tête cylindrique à dépouille de marque Phillips	M3x6	2
12	15S-312	Vis*	M5-0.8Px8L	2
13	15S-313	Plaque*		1
14	15S-314	Affichage numérique*		1
15	TS-1550021	Rondelle plate*	M4	1
16	TS-1503051	Vis de bouchon de tête de la prise de courant	M6x20	8
17	TS-1490041	Vis à tête hexagonale	M8x25	6
18	15S-318	Vis*	M4-0.7Px8L	1
19	TS-1524021	Vis de réglage creuse	M8x20	6
20	6284750	Pointeur d'échelle		1
21	6284751	Rivet		2
22	15S-600	Batterie*	1,5 volts	1
23	15S-601	Couvercle de batterie*		1
	708520	DRO Kit de rééquipement * (n° d'indice 11-15, 18, 22 et 23)		

\* Les pièces avec des astérisques sont utilisées uniquement sur le modèle 15S de la raboteuse.

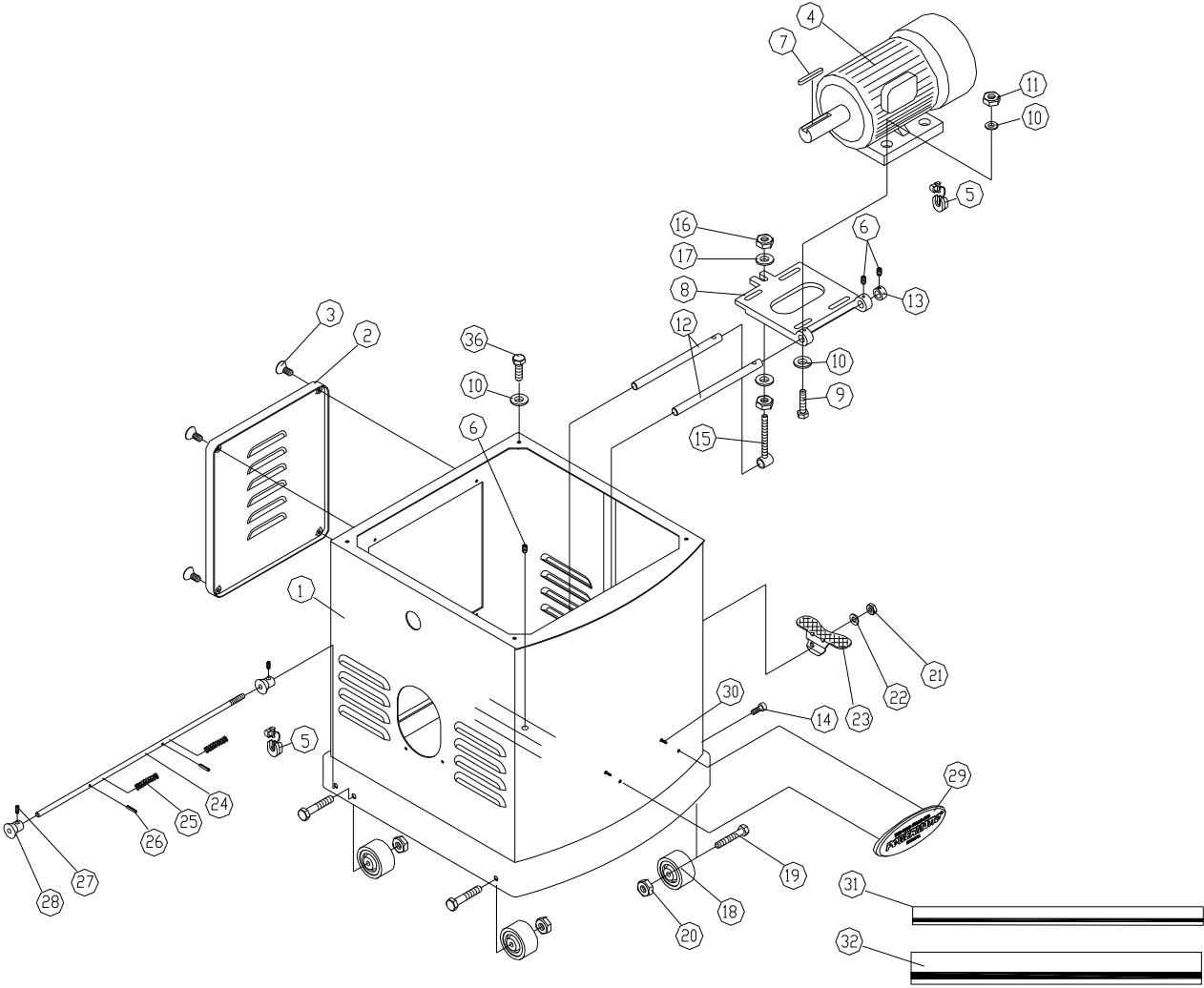
# Dispositif de la boîte de vitesses



## Liste des pièces : Dispositif de la boîte de vitesses

N° d'indice	N° de la pièce	Description	Taille	Qté
	6284842	Dispositif de la tête de la boîte de vitesses (Éléments 1 à 35)		1
1	TS-1504101	Vis de bouchon de tête de la prise de courant	M8x50	4
2	6284843	Joint étanche à huile	TC28-40-8	1
3	6284844	Bouchon, NPT	PT1/4"-19	2
4	6284845	Boîte de vitesses		1
5	6284846	Joint d'étanchéité		1
6	BB-6204ZZ	Roulement	6204ZZ	1
7	6284848	Engrenage hélicoïdal		1
8	6284849	Engrenage	47T	1
9	BB-6201Z	Roulement	6201Z	3
10	6284851	Clé	5x5x10	2
11	6284852	Arbre à engrenage unique	18T	1
12	6284853	Arbre à engrenage double	18, 22T	1
13	6284854	Engrenage	71T	1
14	6284855	Clé	6x6x40	1
15	6284856	Dispositif de l'engrenage		1
16	6284857	Ressort	0.6	1
17	6284858	Balle d'acier	6	1
18	6284859	Arbre de l'engrenage		1
19	6284860	Joint étanche à huile	SC25-47-6	1
20	6284861	Roulement	6204Z	1
21	6284862	Manche de l'embrayage		1
22	6284863	Joint torique		1
23	6284864	Covercle de la boîte d'engrenage		1
24	6284865	Bouton	32-3/8"-16NC	1
25	TS-1482051	Vis à tête hexagonale	M6x25	6
26	6284867	Broche		2
27	6284868	Pignon	12T	1
28	TS-1550041	Rondelle plate	M6	1
29	TS-1482031	Vis à tête hexagonale	M6x16	1
30	6284870	Chaîne	06B-47	1
31	6284871	Embrayage		1
33	15S-433	Boulon à tête hexagonale avec rondelle	M6-1.0P×12L	1
34	TS-1503031	Vis de bouchon de tête de la prise de courant	M6x12	1
35	6284874	Roulement	6201	2

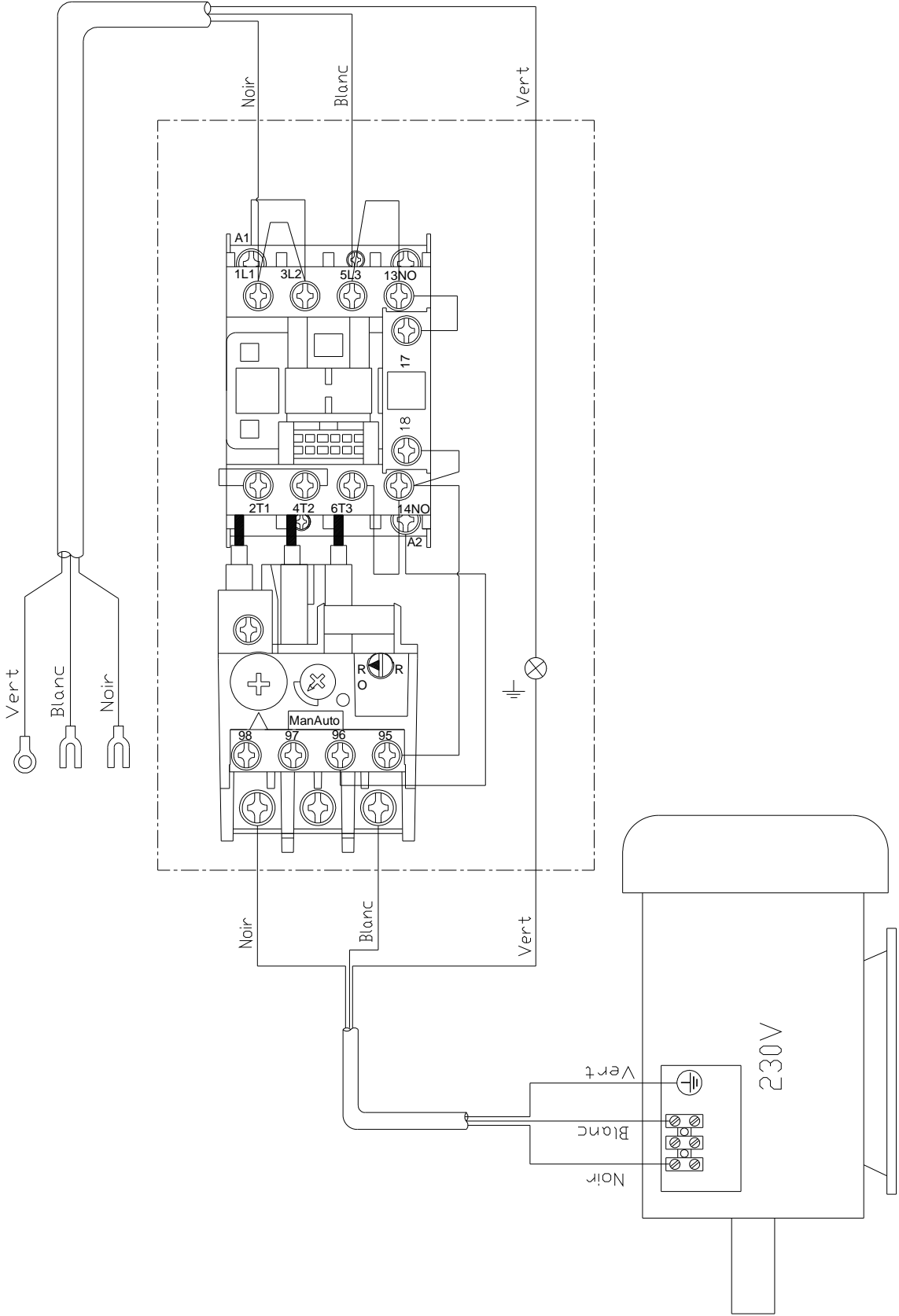
Dispositif du coffret



## Liste des pièces : Dispositif du coffret

N° d'indice	N° de la pièce	Description	Taille	Qté
	6284875	Dispositif du coffret (Éléments 1 à 29)		1
1	15S-501	Coffret		1
2	6284877	Porte		1
3	TS-2236121	Vis à métaux à tête fraisée de marque Phillips	M6x12	4
4	6284878	Moteur		1
5	6284895	Allègement de contrainte	SB8R-3	2
6	TS-1523041	Vis de réglage creuse	M6x12	4
7	6284880	Clé	5x5x30	1
8	6284881	Plaque, moteur		1
9	TS-1490051	Vis à tête hexagonale	M8x30	4
10	TS-0680031	Rondelle plate	5/16	12
11	TS-1540061	Écrou hexagonal	M8-1.25P	4
12	6284885	Bar de pivot		2
13	6284886	Entretoise		1
14	TS-1503031	Vis de bouchon de tête de la prise de courant	M6x12	1
15	6284888	Dispositif du boulon de tension		1
16	6284831	Écrou hexagonal	M10-1.25P	2
17	TS-0680061	Rondelle plate	1/2	2
18	6284890	Roue		4
19	TS-0060111	Vis à tête hexagonale	3/8"-16x2.5	4
20	6284892	Écrou de blocage	3/8"-16NC	4
21	15S-521	Écrou de blocage	M10-1.5P	1
22	TS-1550071	Rondelle plate	M10	1
23	15S-529	Frein à pied		1
24	15S-524	Arbre		1
25	15S-525	Ressort		2
26	15S-526	Goupille de rouleau		2
27	TS-1523011	Vis de réglage creuse	M6x6	2
28	15S-528	Came excentrique		2
29	PM2000-105	POWERMATIC Plaque signalétique		1
30	TS-0813022	Vis à tête cylindrique large	1/4-20 x 3/8	2
31	PM2700-441	Rayure étroite		<i>vendu par pi.</i>
32	PM2700-440	Large rayure		<i>vendu par pi.</i>

# Connexions électriques – phase unique, 230 volts



## Maintenance préventive

### Liste de contrôle des modèles de raboteuses 15S et 15HH

- [ ] La zone de travail autour de la machine doit être clairement délimitée.
- [ ] Utilisation de bandes antidérapantes dans la zone où l'opérateur se tient d'habitude.
- [ ] Inspectez toute la machine pour vérifier s'il n'y a pas de boulons, d'écrous ou de vis desserrés. Resserrez et remplacez-les si nécessaire.
- [ ] Nettoyez les alentours de la table et de la tête de la découpeuse, en retirant la sciure et les ébréchures avec une brosse à soie souple. Retirez la colle et les pentes à l'aide d'un nettoyant pour four.
- [ ] Graissez les parties appropriées à l'aide d'une graisse non durcissante de bonne qualité.
- [ ] Nettoyez la surface de la table. En cas de rouille, utilisez un mélange de pâte d'ammoniaque domestique, un bon détergent commercial et de la laine d'acier 000. Lavez la surface à l'eau chaude savonneuse, rincez et séchez correctement. Recouvrez la surface de poudre de talc, en frottant vigoureusement dans la surface une brosse feutrée propre.
- [ ] Vérifiez l'état de la lame ; elle doit être tranchante et sans encoches ni rainures.
- [ ] Vérifiez l'état de la courroie. Remplacez-la si nécessaire. Recouvrez avec un revêtement de courroie. Vérifiez la tension de la courroie.
- [ ] Vérifiez que le circuit électrique du moteur est bien connecté et que la sciure ne l'encombre pas ; vérifiez également que les poulies sont serrées et alignées.
- [ ] Vérifiez les roulements. Remplacez immédiatement tout roulement mauvais ou suspect.
- [ ] Vérifiez que les tables d'extension sont au même niveau que la table principale.



427 New Sanford Road  
LaVergne, Tennessee 37086  
Téléphone: 800-274-6848  
[www.powermatic.com](http://www.powermatic.com)



# **POWERMATIC®**

## **Manual de Instrucciones de Operación y Partes de la Cepilladora de 15-pulgadas Modelos 15S y 15HH**



**Powermatic**  
427 New Sanford Road  
LaVergne, Tennessee 37086, USA  
Tele.: 800-274-6848  
[www.powermatic.com](http://www.powermatic.com)

**Parte Nro. M-0460286**  
Revisión G 06/2017  
ECR 161019105259  
Copyright © 2017 Powermatic

# Garantía y Servicio Técnico

Powermatic garantiza todos los productos que venden contra defectos de fabricación. Si alguna de nuestras herramientas necesita servicio técnico o reparación, Comuníquese con el Servicio Técnico llamando al 1-800-274-6846, 8AM to 5PM CST, de lunes a viernes.

## Período de la Garantía

La garantía general, dura el período especificado en el documentación que se incluye con el producto o en el oficial Powermatic sitios web de marca.

- Los Powermatic productos tienen una garantía limitada, la cual varía en duración dependiendo del producto. (Ver tabla de abajo)
- Accesorios tienen una garantía limitada de un año desde la fecha de recepción.
- Los elementos de desgaste se definen como piezas de desgaste o accesorios que se espera que deje de funcionar dentro de un período razonable de uso y están cubiertos por una garantía limitada de 90 días contra defectos de fabricación.

## Quien Esta Cubierto

Esta garantía sólo cubre al comprador original del producto a partir de la fecha de entrega.

## Que Esta Cubierto

Esta garantía cubre cualquier defecto de mano de obra o materiales sujeto a las limitaciones indicadas a continuación. Esta garantía no cubre defectos debidos directa o indirectamente al uso indebido, maltrato, negligencia o accidentes, desgaste natural, reparación indebida, alteraciones o falta de mantenimiento. Maquinaria para la madera Powermatic está diseñado para ser utilizado con Wood. El uso de estas máquinas en el procesamiento de metal, plásticos, o de otros materiales fuera recomendado directrices puede anular la garantía. Las excepciones son los acrílicos y otros elementos naturales que se hacen específicamente para el torneado de madera.

## Limitaciones de la Garantía

Los productos de carpintería con garantías de cinco (5) años que se usan para fines comerciales, industriales o docentes están cubiertos por una garantía de un (1) año. Por favor, póngase en contacto con Servicio Técnico al 1-800-274-6846 para más aclaraciones.

## Como Obtener Soporte Técnico

Por favor, póngase en contacto con Servicio Técnico al 1-800-274-6846. **Por favor, tenga en cuenta que se le pedirá proporcionar prueba de su compra inicial cuando se llama.** Si un producto requiere una inspección adicional, el representante de servicio técnico le explicará y ayudar con cualquier medida adicional necesaria. Powermatic tiene centros de Servicio Técnico Autorizado ubicados por todo Estados Unidos. Para obtener el nombre de un Centro de Servicio Técnico Autorizado en su área, llame al 1-800-274-6846 o utilice el Localizador de Centro de Servicio en el Powermatic sitio web.

## Más Información

Powermatic está constantemente añadiendo nuevos productos. Para obtener información completa y actualizada de los productos, diríjase al distribuidor en su localidad o visite el Powermatic sitio web.

## Como se Aplica la ley Estatal

Esta garantía le otorga derechos legales específicos, sujetos a las leyes estatales.

## Limitaciones de esta Garantía

LÍMITES POWERMATIC TODAS LAS GARANTÍAS IMPLÍCITAS AL PERÍODO DE LA GARANTÍA LIMITADA PARA CADA PRODUCTO. CON EXCEPCIÓN DE LO DECLARADO EN ESTE DOCUMENTO, ESTÁ EXCLUIDA CUALQUIER GARANTÍA IMPLÍCITA O DE COMERCIALIZACIÓN E IDONEIDAD PARA UN PROPÓSITO PARTICULAR O ADECUACIÓN. ALGUNOS ESTADOS NO PERMITEN LIMITACIONES A LA DURACIÓN DE LA GARANTÍA IMPLÍCITA, POR LO QUE LA LIMITACIÓN ANTERIOR PODRÍA NO SERLE APLICABLE.

EN NINGÚN CASO SERÁ POWERMATIC RESPONSABLE POR LA MUERTE, LESIONES A PERSONAS O PROPIEDADES O POR DAÑOS INCIDENTALES, CONTINGENTES, ESPECIALES O EMERGENTES QUE SURJAN DEL USO DE NUESTROS PRODUCTOS. ALGUNOS ESTADOS NO PERMITEN LA EXCLUSIÓN NI LIMITACIÓN DE DAÑOS INCIDENTALES O EMERGENTES POR LO QUE LA LIMITACIÓN O EXCLUSIÓN ANTERIOR PODRÍA NO SERLE APLICABLE.

Powermatic vende sólo mediante distribuidores. Las especificaciones en Powermatic materiales impresos y en el oficial Powermatic sitios web de marca se ofrecen como información general y no son vinculantes. Powermatic se reserva el derecho de efectuar en cualquier momento y sin previo aviso aquellas alteraciones que consideren necesarias por cualquier razón en las piezas, adaptadores y equipos accesorios.

## Listado de productos con periodo de garantía

90 Días – Piezas; Insumos
1 Año – Motores; Accesorios de la máquina
2 Año – Maquinaria para madera usado para fines industriales o comerciales
5 Año – Maquinaria para madera

Nota: Powermatic es una división de JPW Industries, Inc.. Las referencias en este documento a Powermatic también se aplican a JPW Industries, Inc., o cualquiera de sus sucesores en interés del Powermatic marcas.

# Índice

Garantía y Servicios .....	2
Índice .....	3
Advertencia .....	4
Características .....	6
Especificaciones .....	6
Desempaque .....	7
Instalación y Montaje .....	8
Manivela .....	8
Caja de Arranque .....	8
Mesas de Extensión .....	9
Cubierta contra el Polvo .....	9
Conexiones Eléctricas .....	9
Cables de extensión .....	10
Ajustes.....	10
Tensión de la Correa .....	10
Alineación de la Polea .....	11
Rodillos de Mesa .....	11
Cabeza de Corte .....	12
Sustitución de las Cuchillas (Modelo 15S solamente) .....	12
Sustitución o Rotación de las Cuchillas Intercambiables (Modelo 15HH solamente) .....	13
Mesa de Trabajo Paralela a la Cabeza de Corte .....	14
Conozca los Rodillos de Transmisión de su Cepilladora .....	14
Bloqueadores Antiretroceso .....	15
Tensión de los Resortes de los Rodillos de Alimentación y Salida .....	15
Altura del Rodillo de Alimentación, Rompevirutas, Rodillo de Salida .....	15
Altura del Rodillo de Salida .....	16
Altura del Rodillo de Entrada.....	16
Altura del Rompevirutas .....	16
Deflector de Virutas .....	17
Control de la Velocidad de Alimentación.....	17
Rodillos de Retorno de Material .....	17
Profundidad de Corte .....	18
Mantenimiento.....	18
Lubricación .....	18
Funciones de la Regla Digital (Modelo 15 S solamente).....	20
Diagnóstico de Problemas: Problemas de Desempeño .....	24
Diagnóstico de Problemas: Problemas Eléctricos y Mecánicos .....	25
Diagnóstico de Problemas: Escala Digital – Modelo 15S solamente .....	27
Accesorios Opcionales.....	27
Lista de Partes .....	27
Conjunto del Cabezal .....	28
Lista de Partes: Conjunto del Cabezal.....	29
Conjunto de Base.....	30
Lista de Partes: Conjunto de Base .....	31
Conjunto de Mesa .....	32
Lista de Partes: Conjunto de Mesa .....	33
Conjunto de la Caja de Velocidad.....	34
Lista de Partes: Conjunto de la Caja de Velocidad .....	35
Conjunto de Gabinete .....	36
Lista de Partes: Conjunto de Gabinete .....	37
Conexiones Eléctricas – Sist. Monofásico 230 Voltios .....	38

# Advertencias

Como en todas las máquinas, existe un cierto riesgo involucrado con el uso de esta cepilladora. Use esta máquina con el respeto y precaución debidos, en donde las precauciones de seguridad son consideradas. Cuando las precauciones normales de seguridad son sobrepasadas o ignoradas, esto puede resultar en lesiones al operador.

**Lea y comprenda las siguientes** instrucciones de seguridad y operaciones encontradas en este manual. Conozca las limitaciones y riesgos asociados con esta máquina.

**Puesta a Tierra.** Asegúrese de que el chasis de la máquina esté puesto a tierra y que el conductor de tierra esté incluido en los cables de llegada. En los casos en los que un cable y un enchufe son empleados, asegúrese que el enchufe de tierra se conecte a una tierra asociada. Siga el siguiente procedimiento de puesta a tierra como se indica en el Código Eléctrico Nacional (NEC). Si esta conectada a un circuito protegido por fusibles, use un fusible con atraso tipo "D".

**Seguridad Ocular.** Use una protección de seguridad aprobada, gafas o lentes para proteger los ojos. (NOTA: Los anteojos comunes solo son resistentes al impacto, no son anteojos de seguridad).

**Protección Personal.** Antes de operar la máquina, sáquese la corbata, anillos, reloj y otra joya, y remánguese las mangas por encima de los codos. Sáquese toda la prenda externa y recójase el pelo largo. Los calzados de tipo protegido deben ser usados. Donde el ruido excede el nivel de exposición permitido en la Sección 1910.05 de las Regulaciones OSHA, use protectores auditivos. No use guantes.

**Guardas.** Conserve las guardas de la máquina en su lugar correspondientes por cada operación, para la cual serán utilizadas. Si alguna de las guardas es retirada por mantenimiento. NO OPERE la máquina hasta que las guardas sean reinstaladas.

**Colocación.** Coloque la máquina de manera que el área potencial de retroceso no sea común con los pasillos, entradas, zonas de lavado u otras áreas de trabajo. No exponer la máquina a la lluvia ni la use en lugares húmedos.

**Área de Trabajo.** Conserve el limpio el piso en las inmediaciones de la máquina y libre de residuos, aserrín, aceite y otros líquidos para minimizar el peligro de disparo de derramamiento. Asegúrese de que la mesa esté libre de todo resto, material extraño y herramientas antes de iniciar el corte. Asegúrese de que el área de trabajo esté bien iluminada y cuente con un sistema de escape de emisiones para minimizar la presencia del polvo. Es recomendado el uso de franjas antideslizantes en el piso en el área de movimiento del operador y que el área de trabajo de cada máquina sea delimitado. Provea espacio adecuado de trabajo alrededor de la máquina.

**Evite el arranque accidental** Asegúrese de que el interruptor del motor se encuentre en la posición de off (apagado) antes de conectar la máquina a la red de alimentación.

**Postura del Operador** Conserve una postura y mantenga su cuerpo bajo control en todo momento. Párese a un lado fuera de la línea con la mesa y asegúrese de que nadie se encuentre en la línea de la mesa.

**Orden y Limpieza.** Antes de encender la máquina, aparte de la máquina todos los equipos extra, tales como chavetas, llaves, restos, paños de limpieza.

**Descuidos.** Preste suma atención a su trabajo. Mirar alrededor, conversar y hacer "payasadas" son actos imprudentes que pueden resultar en serias lesiones.

**Desconecte la máquina.** Antes de realizar algún servicio o mantenimiento o al cambiar las cuchillas. Una máquina bajo reparación debería ser etiquetada en rojo para mostrar que la misma no debería ser empleada hasta que el mantenimiento esté completo.

**Mantengas las herramientas en óptimas condiciones.** Mantenga las herramientas afiladas y limpias para un desempeño bueno y seguro. Las herramientas gastadas aumentan el nivel de ruido y pueden causar retroceso del material y superficies dañadas. Verifique la condición y ajuste de las herramientas antes de realizar cortes. Siga las instrucciones de afilado en el amolado y ensamblado de cuchillas, así como en su instalación y ajustes.

**Seguridad de las Manos.** Conserve las manos fuera de la máquina. NUNCA las introduzca por debajo de las guardas para tratar de limpiar el material que impide la alimentación. No saque las virutas o aserrín con las manos; use un cepillo. No ponga las manos debajo de la tabla que está sobre la mesa para ser cortada; el rodillo de alimentación se acoplara con la tabla empujándola contra la mesa causando una acción de pinzado. No opere la máquina mientras la cubierta de engranajes esté abierta.

**Rotación de la Cabeza de Corte:** Asegúrese de que la cabeza de corte, alimentada eléctricamente gire en el sentido antihorario cuando es vista desde el lado del motor de impulsión.

**Condición del Material:** No cepille las tablas con nudos sueltos, o con clavos o algún material extraño en su superficie. El impacto de la cuchilla en estos objetos puede causar que las cuchillas sean estiradas y lanzadas contra el rompevirutas o la barra de presión. El material doblado o alabeado debería ser canteado previamente en una cara antes de intentar cepillar una superficie paralela a la cepilladora. Los defectos significativos en el material no pueden ser eliminados solamente con el uso de la cepilladora.

**Ajustes de Máquina:** Realice todos los ajustes de la máquina con la red desconectada excepto por la velocidad de alimentación.

**Minimizar Retroceso:** Minimizar la posibilidad de retroceso, use esta máquina solo para único tabla cepillado. Nunca realice cortes de profundidad mayor a 1/8" para (3 milímetro).

**Culminación del Trabajo.** Si el operador abandona el área de la máquina por algún motivo, la cepilladora debería ser desconectada y la cabeza de corte debería detenerse por completo antes de que el mismo del operador abandone el sitio. Nunca limpie la cepilladora con la máquina encendida y nunca use las manos para limpiar el aserrín y otros restos; use un cepillo.

**Lista de Partes de Repuestos.** Use solo repuestos y accesorios de Powermatic o autorizados por fábrica; de no ser así la garantía se anula e invalida.

**Mal Uso.** No use esta cepilladora para otro propósito fuera de lo previsto. Si es usado para otros propósitos, Powermatic niega cualquier garantía tácita y se desentiende de cualquier daño o lesión que pudiera resultar de este uso.


**Si no está completamente familiarizado con la operación de esta cepilladora,** busque la orientación de su supervisor u otra persona calificada.


**Drogas, alcohol, medicación.** No opere esta máquina si se encuentra bajo la influencia de drogas, alcohol o cualquier medicamento.

**Riesgo para la Salud.** ADVERTENCIA: La perforación, aserrado, lijado o mecanizado de productos de madera genera polvo de madera y otras sustancias conocidas por el Estado de California como causante de cáncer. Evitar la inhalación de polvo que se genera a partir de productos de madera o utilizar una mascarilla contra el polvo u otras medidas de seguridad para evitar la inhalación de polvo que se genera a partir de productos de madera.

Productos de madera emiten sustancias químicas conocidas en el Estado de California como causa defectos de nacimiento u otros daños reproductivos. (Código de Salud y Seguridad de California Sección 25249.6)

**Familiarícese con los siguientes mensajes de seguridad usados en este manual:**

 **PRECAUCION** Esto significa que si no se toman las debidas precauciones, podría resultar en una lesión menor y/o posiblemente daños a la máquina

 **ADVERTENCIA** Esto significa que si no se toman las debidas precauciones, podría resultar en una lesión seria o posiblemente la muerte.

# Características

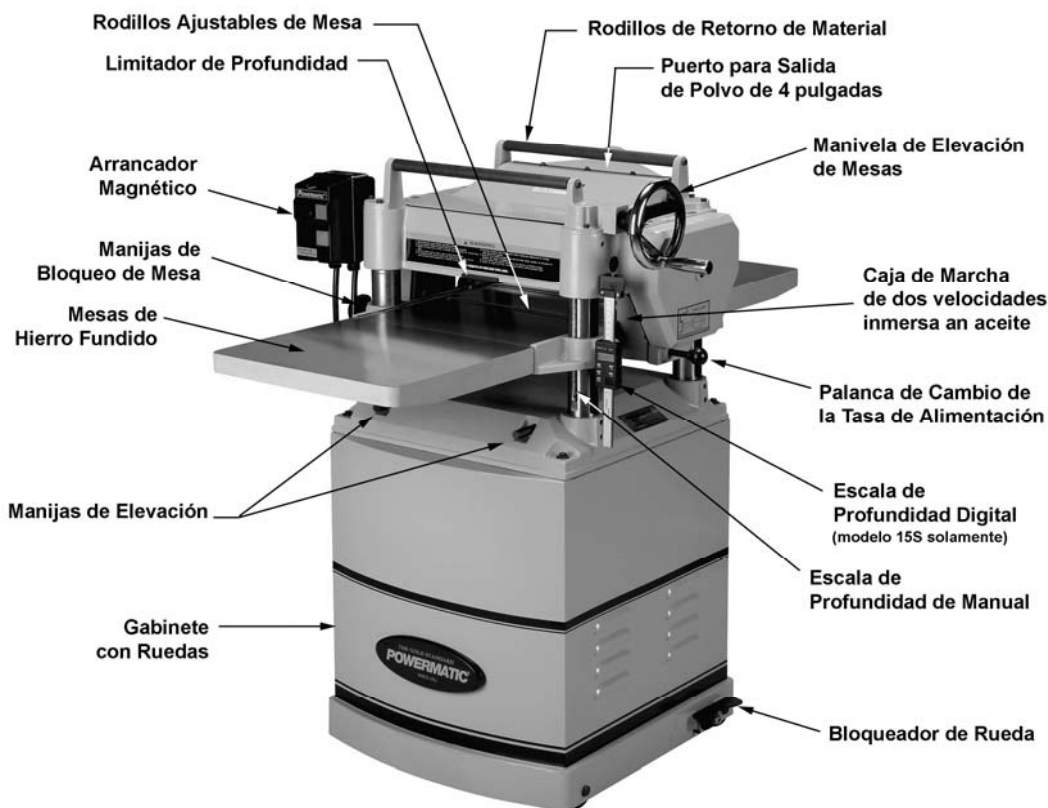


Figura 1

# Especificaciones

Modelo Nro.....	15S .....	15HH .....
Nro. de Serie .....	1791210 .....	1791213 .....
Anchura máxima de corte (pulg) .....	14-7/8 .....	14-7/8 .....
Espesor máximo de corte (pulg) .....	6 .....	6 .....
Profundidad de Corte de Anchura Máxima (pulg) .....	1/8 .....	1/8 .....
Longitud mínima de cepillado (pulg) .....	8 .....	8 .....
Espesor mínima de material (pulg) .....	3/16 .....	3/16 .....
Movimiento de la tabla por una revolución de volante .....	0.079" (2mm).....	0.079" (2mm).....
Cuchillas.....	3 .....	98 intercambiables de 4 lados .....
Número de filas de la Cabeza de Corte .....	-- .....	5 .....
Velocidad de la Cabeza de Corte (RPM) .....	4,500 .....	4,500 .....
Cortes por minuto.....	13,500 .....	no aplicable .....
Diámetro de la Cabeza de Corte (pulg) .....	2-7/8 .....	2-7/8 .....
Sonido nivel a 2" distancia (dB) .....	82 a 85 .....	80 a 84 .....
Torque máxima de los tornillos de Cuchilla Intercambiable (libra fuerza - pulgada) .....	.....	45 a 55 .....
Velocidad de Alimentación (pies por min) .....	16 y 20 .....	16 y 20 .....
Motor .....	TEFC,3HP,1Ø,230V,60Hz,15A .....	TEFC,3HP,1Ø,230V,60Hz,15A .....
Circuito recomendado <sup>1</sup> .....	30A .....	30A .....
Diámetro del conducto de polvo (pulg.) .....	4 .....	4 .....
Dimensiones Generales (L x A x H) (pulg.).....	48 x 28 x 43-1/2 .....	48 x 28 x 43-1/2 .....
Gabinete de espacio, incluyendo el pedal de pie (L x A)(pulg.).....	23-1/2 x 23 .....	23-1/2 x 23 .....
Peso Neto (lbs.) .....	507 .....	502 .....
Peso de transporte (lbs.).....	573 .....	568 .....

<sup>1</sup>Conforme a los códigos eléctricos locales y nacionales

Las especificaciones de arriba fueron las actuales al momento de publicar este manual, pero debido a nuestra política de mejora continua, Powermatic se reserva el derecho de cambiar las especificaciones en cualquier momento y sin notificación previa, sin incurrir en obligaciones.

## Desempaque

Abra el contenedor de transporte y verifique si existieron daños durante el transporte. Ante cualquier daño, reporte el hecho inmediatamente a su distribuidor y agente de transporte. No descarte ningún material de transporte hasta que la cepilladora sea ensamblada y esté funcionando apropiadamente.

Compare los contenidos de su contenedor con las partes de la lista siguiente para asegurarse de que todas las partes se encuentren intactas. Las partes extraviadas si hubieran, deberían ser reportadas a su distribuidor. Lea completamente el manual para las instrucciones de montaje, mantenimiento y seguridad.

### Contenidos de la Caja (Figura 2):

- 1 Cepilladora (no mostrada)
- 1 Cubierta contra el polvo
- 2 Mesas Prolongadoras de Fundición
- 1 Manivela
- 1 Manija
- 4 Llaves Allen (3, 4, 5 y 6mm)\*
- 2 Llaves de Boca Plana (8-10, 12-14mm)\*
- 3 Bolsas Accesorios de Fijación\* – ver abajo
- 1 Manual del Usuario (no se muestra)
- 1 Tarjeta de Garantía (no se muestra)

#### Modelo 15 S solamente:

- 1 Llave Allen de Manija T- (4mm)\*
- 2 Pasadores de Ajuste\*

#### Modelo 15HH solamente(Figura 4):

- 1 Destornillador de Fuerza de 1/4"
- 1 Zócalo Adaptador T25P Torx Plus
- 1 Juego de 10 Cuchillas Intercambiables

#### Contenido de las Bolsas de Fijadores de Seguridad\* (Figura 3):

- A – (para montar la manivela)
- 1 Etiqueta de Dirección
  - 1 Tuerca Hueca
  - 1 Arandela Plana
  - 1 Chaveta
- B – (para instalar las mesas prolongadoras)
- 6 Tornillos de Cabeza Hexagonal, M8x25
  - 6 Tornillos sin cabeza, M8x20
- C – (para la instalación de la cubierta contra el polvo)
- 3 Tornillos de Cabeza Hueca, M6x12
  - 3 Arandelas de Presión, M6
  - 3 Tornillos de Cabeza Hueca, M5x10
  - 3 Arandelas Planas, M5

\*indica las partes incluidas en el juego de piezas 15S-HK



Figura 2

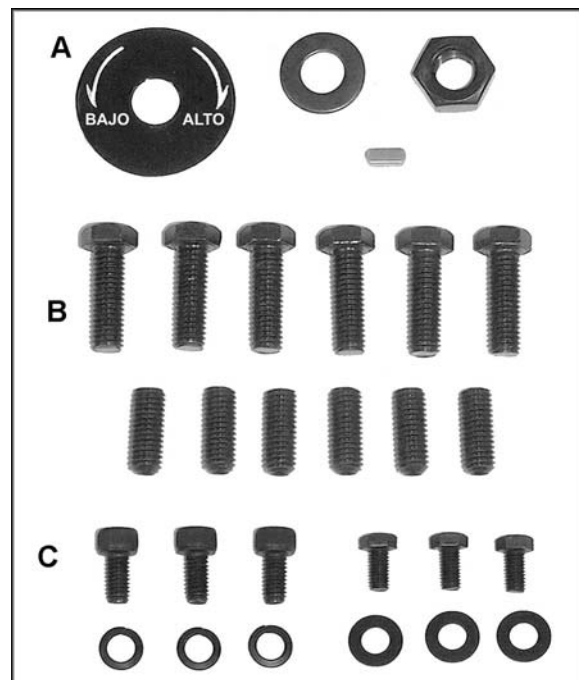


Figura 3

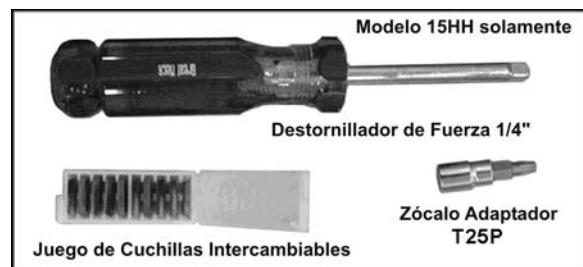


Figura 4

# Instalación y Montaje

## Herramientas requeridas para el montaje:

Montacargas o Elevadores con eslingas  
Llaves de boca plana de 10-12,12-14mm (suministradas)

Llaves allen de 4 y 5mm (suministradas)

Llave de boca plana de 16 mm.

Retire los tornillos que sujetan la cepilladora al pallet y use el montacargas o elevador para levantar la cepilladora del ballet. Los horquillas y cintas deberían ser montadas siempre colocadas por debajo de los barras de izamiento para elevar esta máquina (Figura 5). Estas barras de izamiento pueden ser empujadas de vuelta a su lugar.

La cepilladora debería operar en un área bien iluminada con buena ventilación. Puede ser transportada sobre sus ruedas a la posición de deseada. Presione el pedal de la (Figura 6) para evitar movimientos durante la operación o ajustes.

Las superficies expuestas, tales como mesas, rodillos, cabeza de corte etc. han sido recubiertas en fábrica. Este recubrimiento debería ser eliminado con un paño humedecido con un buen solvente comercial. No use acetona, gasolina, laca, thinner u otros solventes con un bajo punto de inflamación. No use una almohadilla abrasiva pues la misma podría rayar las superficies pulidas del hierro fundido.

**⚠ PRECAUCION** Las cuchillas intercambiables son filosas: sea cauteloso al trabajar cerca del área de la cabeza de corte!

## Manivela

1. Coloque la chaveta en la ranura del eje de la (Fig7) y monte la manivela en el eje asegurándose de que esté orientada de manera a que deslice por sobre la chaveta.
2. Separe el adhesivo de la etiqueta de dirección y fíjela al centro de la manivela. Coloque la arandela planta y la tuerca en el eje y asegure con la llave de 16mm.
3. Monte la manija en el orificio roscado en la manivela y ajústela con una llave de 12 mm. colocada sobre en la parte superior de la manija.

## Caja de Arranque

Monte los controles como se muestra en la Figura 8, con los tornillos de cabeza hueca, los cuales encontrará montados al cabezal de hierro fundido. Use una llave allen de 5 mm.

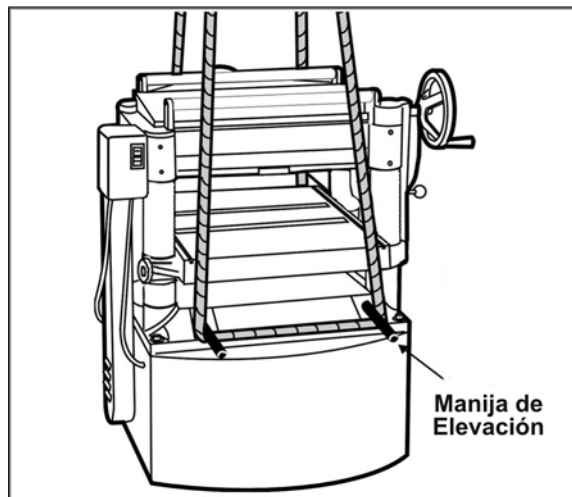


Figura 5



Figura 6

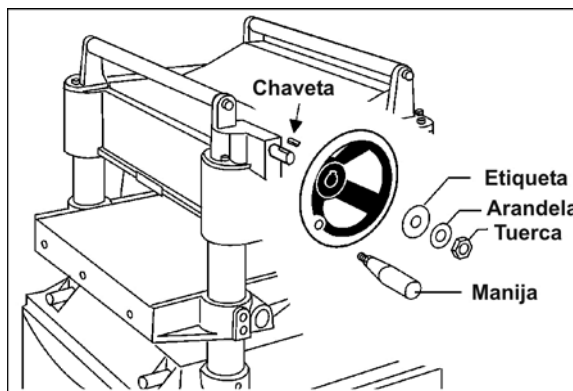


Figura 7

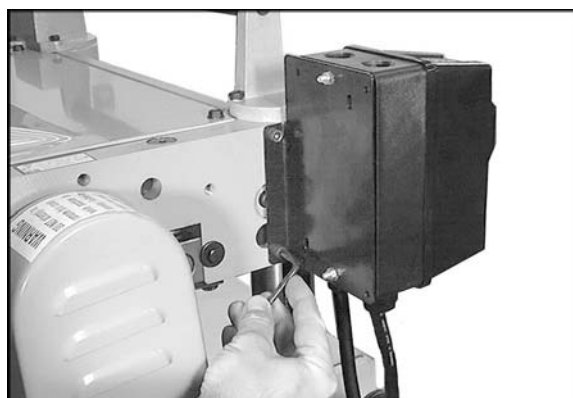


Figura 8



## Mesas de Extensión

1. Monte una mesa de hierro fundido en el borde de la mesa principal con los tres tornillos de cabeza hexagonal (Figura 9) usando una llave de 12 mm. Por ahora, no apriete los tornillos por completo.
2. Las mesas de extensión deben ser niveladas con la mesa principal. Coloque la regla (tal como la placa ensamblada) a lo largo de la mesa de extensión y la mesa principal.  
NOTA: La regla no debería apoyarse sobre los rodillos elevados de la mesa, ya que esto podría afectar el proceso de nivelación. Coloque la regla cerca de los rodillos de la mesa o completamente por debajo de los rodillos en la mesa (vea la página 11) mientras monta las mesas de extensión.
3. Inserte los tres tornillos de cabeza hueca con una llave allen de 4 mm. y fíjelos, ajustándolos tanto como sea necesario hasta que las mesas estén niveladas.
4. Apriete firmemente los tornillos de cabeza hexagonal.
5. Monte la segunda mesa de extensión en el lado opuesto a la mesa de cepillado usando el mismo procedimiento.

## Cubierta contra el Polvo

Monte la cubierta contra el polvo en la parte posterior del cabezal de fundición con los tres tornillos de cabeza hueca M6 x 12 con las arandelas de presión y tres tornillos de cabeza hexagonal M5 x 10 con las arandelas planas. Vea la Figura 10

Es recomendado que use un sistema colector de polvo con esta cepilladora. Si usted no está usando el sistema mencionado, no fije la cubierta contra el polvo a la cepilladora, ya que la acumulación de polvo dentro de la cubierta podría generar un riesgo de seguridad o eventualmente causar el atascamiento de los rodillos.

## Conexiones Eléctricas

**⚠ ADVERTENCIA** Las conexiones eléctricas deben ser realizadas por un electricista calificado de conformidad con todas las normativas relevantes. Esta máquina debe ser puesta a tierra apropiadamente para ayudar a evitar las descargas eléctricas y posibles lesiones fatales.

No es suministrado un enchufe de alimentación con las cepilladoras 15 S o 15HH. Usted puede conectar un enchufe de 230 Voltios o bien "cablear" la máquina directamente al tablero de distribución de energía eléctrica, siempre y cuando exista un mecanismo de desconexión cerca de la máquina. Consulte el diagrama eléctrico de conexiones de la página 38 para mayor aclaración o para el cableado.

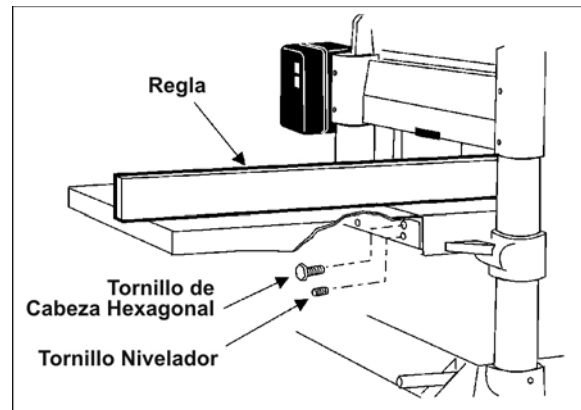


Figura 9

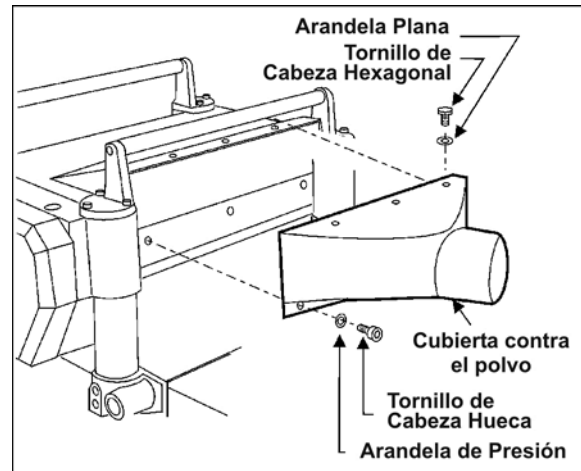


Figura 10

Es recomendable que el 15S o 15HH cepilladora sea conectado a un circuito de 30 Amp. con puesta a tierra con una interruptor termomagnético de 30 Amp. como mínimo o un fusible con atraso. **Las normativas locales tienen precedencia con respecto a las recomendaciones.**

La máquina debe ser puesta a tierra. En el caso de mal funcionamiento o cortocircuito, la puesta a tierra provee el trayecto de menor resistencia para la corriente eléctrica evitando el riesgo de descarga eléctrica al operador.

Asegúrese de que la tensión de la red de energía eléctrica se corresponda con las especificaciones o datos de placa del motor de la máquina.

### Cables de extensión

El uso de un cable de extensión no es recomendado para esta máquina, pero sí es necesario, asegúrese de que el calibre sea apropiado para el amperaje listado en los datos de placa del motor. Un cable subdimensionado causará una caída de tensión resultando en una falta de potencia y sobrecalentamiento.

La tabla en la figura 11 muestra el tamaño correcto del cable a ser usado en base a la longitud del cable, placa del motor y corriente nominal. En caso de dudas use el calibre inmediato superior. Cuando más pequeño es el número de calibre, mayor es la sección del cable.

**Calibres Recomendados (AWG) de los cables de extensión**

Amperes	Long. Del Cable de Extensión *					
	25 Pies	50 Pies	75 Pies	100 Pies	150 Pies	200 Pies
< 5	16	16	16	14	12	12
5 a 8	16	16	14	12	10	NR
8 a 12	14	14	12	10	NR	NR
12 a 15	12	12	10	10	NR	NR
15 a 20	10	10	10	NR	NR	NR
21 a 30	10	NR	NR	NR	NR	NR

\*basado en la limitación en la caída de tensión de línea on l de 5V a 150% de la corriente nominal.  
NR: No Recomendado.

Figura 11

## Ajustes

### Herramientas requeridas para el montaje:

- Llaves de boca plana abiertas de 10, 12 y 17mm
- Llaves allen de 3, 5 y 6mm
- Calibrador de Láminas 0.020" (0.5mm)
- Regla
- Bloque Calibrador
- Destornillador Phillips

**⚠ ADVERTENCIA** Desconecte la máquina de la fuente de energía eléctrica antes de realizar cualquier ajuste (excepto la velocidad de alimentación).

### Tensión de la Correa

Inspeccione la tensión de las correas frecuentemente durante los primeros minutos que use la cepilladora. Las correas a menudo se estiran durante este período inicial. Si requieren ajuste, proceda de la forma siguiente:

1. Retire la guarda de la correa y el panel posterior.
2. Afloje la tuerca inferior en el tornillo de ajuste del motor (Figura 12) con una llave de 17 mm.
3. Gire la tuerca superior en el tornillo de ajuste de la placa del motor, lo cual incrementará la tensión de la correa.
4. La tensión apropiada de la correa de impulsión se logra cuando hay una pequeña deflexión de la correa entre las poleas empleando una presión moderada con los dedos.
5. Ajuste la tuerca inferior en el tornillo de ajuste (Figura 12).

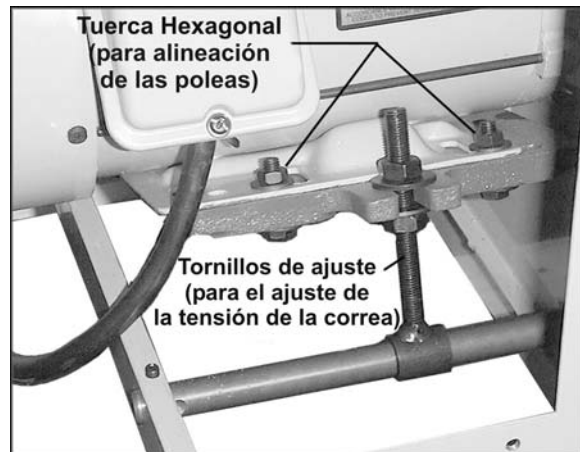


Figura 12

## Alineación de la Polea

Las poleas deberían estar alineadas para la operación apropiada de correa.

1. Retire la guarda de la correa y coloque una regla contra las caras de ambas poleas (Figura 13).
2. Si la regla no está alineada con las dos caras de las poleas, abra la partes posterior del panel y afloje las tuercas en la base del motor (vea la Figura 12) con una llave de 12 mm.
3. Presione suavemente a la izquierda o derecha hasta que las poleas se encuentren alineadas.
4. Apriete las tuercas y ponga las cubiertas nuevamente.

## Rodillos de Mesa

Su cepilladora fue suministrada con dos rodillos de mesa (Figura 14) las cuales giran a medida que el material de trabajo es alimentado a la máquina, reduciendo así el rozamiento. No es posible dar las dimensiones exactas sobre el ajuste de altura de los rodillos de mesa por que cada tipo de madera se comporta de una manera distinta. Como una regla general, sin embargo cuando se cepilla material duro, los rodillos de mesa deberían ser colocados en una posición elevada. Cuando se cepilla una material suave, los rodillos deberían ser colocados en una posición baja.

NOTA: Al elevar los rodillos por encima de la mesa, el rango es de cero a 0.006" (Figura 15).

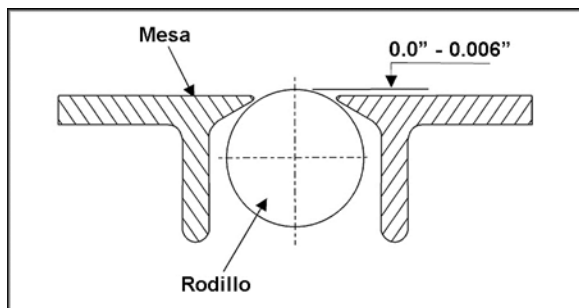


Figura 15

Los rodillos de mesa vienen ajustados de fábrica con valor promedio de cepillado y están paralelos a la superficie de la mesa. Si desea ajustar los rodillos de la mesa más elevados o más bajos, proceder de la forma siguiente:

1. Desconecte la máquina de la fuente de energía eléctrica.
2. Coloque una regla sobre ambos rodillos.
3. Afloje los tornillos de ajuste en un externo de la mesa (Figura 16) con una llave allen de 3 mm. y gire los ejes excéntricos para elevar o descender los rodillos.
4. Cuando se alcance la altura apropiada, ajustar los tornillos de ajuste.
5. Ajuste los rodillos del lado opuesto de la mesa de la misma manera.

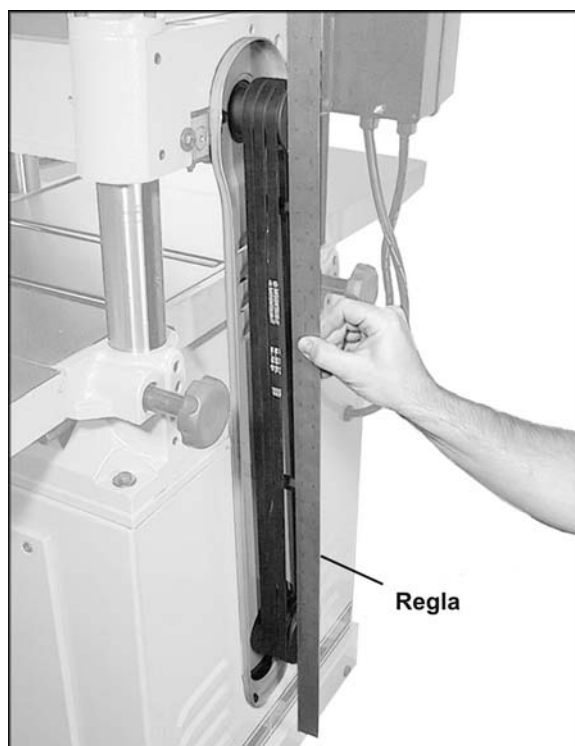


Figura 13



Figura 14

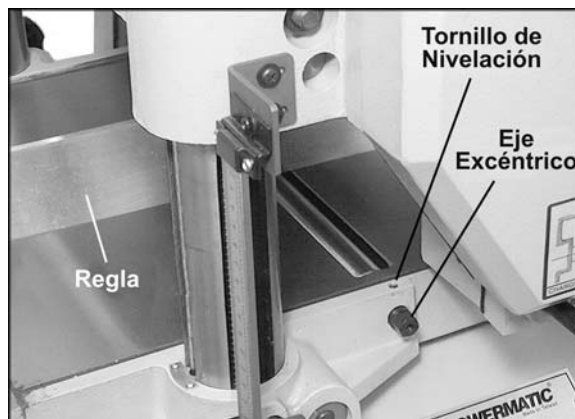


Figura 16

**IMPORTANTE:** Asegúrese de que la altura de la los rodillos anteriores y posteriores sea la misma. Y los rodillos de la tabla sean siempre paralelos a la mesa

### Cabeza de Corte

A pesar de que su cepilladora fue ajustada cuidadosamente en la fábrica, debería ser verificada antes de ser puesta en servicio. Cualquier inexactitud debido al mal manejo en el tránsito, puede ser corregida mediante las instrucciones de este manual.

Para verificar los ajustes, necesitará los calibres de lámina y un calibre con dial o un bloque calibrador casero hecho de madera maciza. Este bloque calibrador puede ser hecho con las siguientes dimensiones mostradas en la Figura 17.

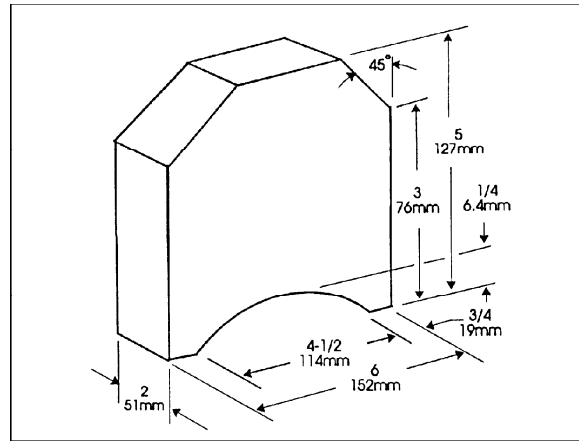


Figura 17

### Sustitución de las Cuchillas (Modelo 15S solamente)

**ADVERTENCIA** Sea cauteloso y proceda lentamente cuando trabaja con y alrededor de las cuchillas, ellas son extremadamente filosas !

Cuando las cuchillas gastadas son sustituidas, se debe tener cuidado en el ajuste de las cuchillas en la cabeza de corte. Existe un procedimiento determinado a seguir, el cual asegura un ajuste apropiado de las cuchillas en la cepilladora 15S. Proceda de la forma siguiente:

1. Desconecte la máquina de la fuente de energía eléctrica.
2. Retire la cubierta contra el polvo y la cubierta superior. Retire el deflector de virutas. Retire el deflector de virutas. Retire la guarda de la correa, así usted puede rotar la cabeza de corte usando la polea
3. Retire los tornillos prisioneros con la llave allen de manija T como se muestra en la Figura 18, retirando una contrachaveta a la vez.
4. Retire cuidadosamente la cuchilla y limpie la ranura de la cabeza de corte de cualquier polvo o resto.
5. Coloque la nueva cuchilla en la ranura de la cabeza de corte.
6. **IMPORTANTE:** A medida que procede con la instalación de la cuchilla, asegúrese que las alas en ambos extremos de de cada orificio (vea la Figura 18) estén completamente insertadas en el canal de la cabeza de corte. La no observación de esta pauta, puede resultar en la rotura de la cuchilla durante la operación.
7. Existe un total de 3 contrachavetas cortas y 12 contrachavetas largas en la cabeza de corte. No es importante si la contrachaveta larga o corta es usada para una posición en particular a lo largo de la cuchilla. Por supuesto cada cuchilla debe usar una contrachaveta corta.
8. Ponga la primera contrachaveta en su lugar en el extreme de la cabeza de corte. Use los pasadores de ajuste de la cuchilla mostrados en la Figura 19. Los pasadores de ajuste caben

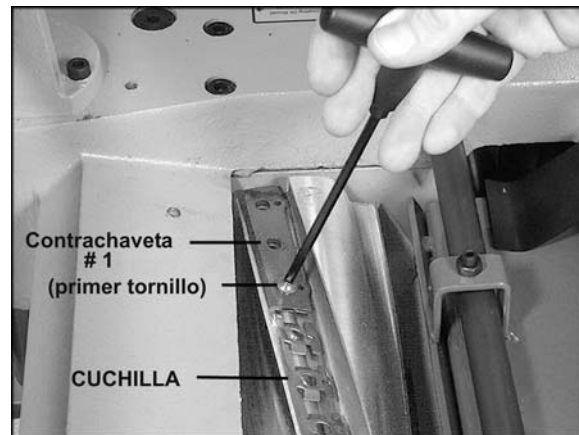


Figura 18 – Modelo 15S solamente

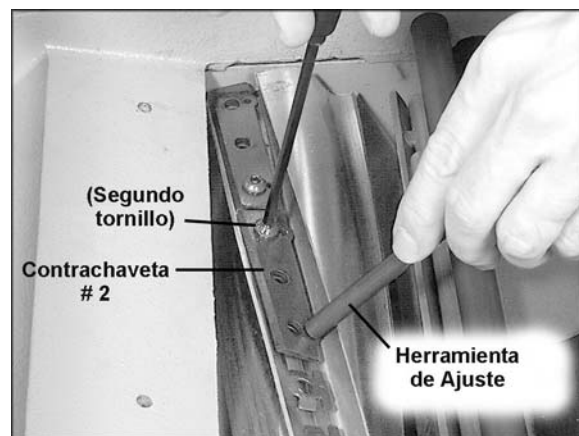


Figura 19 – Modelo 15S solamente

dentro de los orificios más pequeños en la contrachaveta, cuchilla y cabeza de corte, ayudando a la alineación de ellas. (También puede usar cualquier herramienta de diámetro de 3mm, tal como una llave allen o una mecha de taladro para este propósito.)

9. Inserte los tornillos para la primera contrachaveta, girándolas con la llave allen de Manija T. No ajuste los tornillos completamente; realice el ajuste suficiente para sostener la cuchilla en el canal.
10. Coloque la siguiente contrachaveta en posición y repita el proceso. Vea la Figura 19. Use los pasadores de ajuste y asegúrese de que las alas de la cuchilla se encuentren por completo en el canal de la cabeza de corte. Continúe secuencialmente desde un extremo de la cabeza de corte al otro. Nuevamente, solo ajuste los tornillos lo suficiente para que sostener a las cuchillas en el canal.
11. Cuando todas las contrachavetas estén instaladas sin apretar para una cuchilla, gire la cabeza de corte y repita el proceso para los 2 cuchillas restantes, trabajando de un extremo a otro.
12. Ahora proceda a ajustar todos los tornillos prisioneros de una cuchilla. Realice este procedimiento en orden secuencial, comenzando en un extremo de la cuchilla, continuando con la siguiente ajustando cada tornillo.
13. Ajuste todos los tornillos prisioneros en las dos cuchillas restantes de la misma manera, hasta que todas las contrachavetas se encuentren firmemente ajustadas en la cabeza de corte.  
(NOTA: El propósito de este ajuste incremental es para evitar alguna distorsión en la cabeza de corte y para asegurar que la cuchilla se encuentre completamente posicionada en el canal.)

**⚠ ADVERTENCIA** Después de instalar las cuchillas, verifíquelas nuevamente con cuidado. Asegúrese de que todos los tornillos prisioneros estén ajustados con seguridad. La no observación de esta pauta podría resultar en una lesión personal.

14. Reinstale el deflector de virutas (vea "Deflector de Virutas" Página 17) Reinstale la cubierta con cuatro tornillos con cabeza de arandela y reinstale la guarda de la correa.

### Sustitución o Rotación de las Cuchillas Intercambiables (Modelo 15HH solamente)

Las Cuchillas Intercambiables del modelo 15HH son de cuatro lados. Al gastarse, simplemente se retira cada cuchilla intercambiable, se la rota en 90 grados para tener un filo nuevo y se la reinstala.

Use el destornillador suministrado con el zócalo adaptador para retirar el tornillo de la cuchilla intercambiable. Vea la Figura 20.

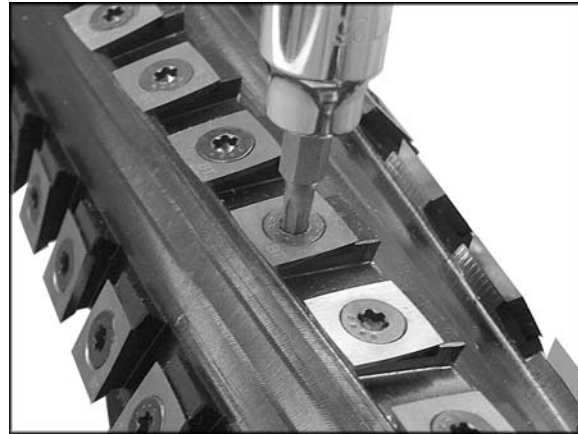


Figura 20 – Modelo 15HH solamente

**Nota:** Un T25 adaptador o el conductor puede redondear la cabeza del tornillo. Siempre use un controlador T25-Plus o adaptador.

Es aconsejable rotar todas las cuchillas al mismo tiempo para mantener consistente el corte. Sin embargo, si una o más cuchillas desarrollan una cierta hendidura, gire solamente las cuchillas intercambiables afectadas.

Cada cuchilla intercambiable tiene una marca de referencia grabada, así que usted puede tener un seguimiento de las rotaciones realizadas.

**IMPORTANTE:** Al retirar o rotar las cuchillas rotativas intercambiables, limpie el aserrín del tornillo, la cuchilla intercambiable y la plataforma de la cabeza de corte. La acumulación de aserrín entre estos elementos puede evitar el correcto acoplamiento de la cuchilla y puede afectar la calidad del corte.

Para instalar la nueva cuchilla intercambiables:

1. Antes de instalar cada tornillo, recubra ligeramente las roscas de los tornillos con aceite de máquina y limpie los excesos.
2. Posición cuchilla intercambiable y muévelo hacia adelante y hacia atrás para verificar que no existen rebabas o suciedad.
3. Espere cuchilla lejos de la parte posterior del asiento (tire ligeramente hacia usted si hacia el borde de corte) y el tornillo tirar Inserte en posición. Nota: Un leve desvío entre agujeros de tornillo y del intercambiable de cuchillo es normal. No coloque el cuchilla directamente sobre el orificio del tornillo, ya que podría subir en la parte posterior del asiento y potencialmente causar agrietamiento de la punta.
4. Ajuste con seguridad cada tornillo, los cuales sostienen las cuchillas intercambiables antes de operar la cepilladora. **IMPORTANTE:** Torque máxima de los tornillos de Cuchilla Intercambiable es 45 a 55 libra fuerza - pulgada (3.75 a 4.6 libra fuerza - pie).

**⚠ ADVERTENCIA** Asegúrese de que los tornillos de las cuchillas intercambiables se encuentren bien ajustados. Las cuchillas intercambiables flojas pueden salir disparadas a alta velocidad de la cabeza de corte rotatoria, causando lesiones.

### Mesa de Trabajo Paralela a la Cabeza de Corte

La mesa de trabajo es ajustada para estar en paralelo a la cabeza de corte en fábrica y no se requiere ningún ajuste posterior. Si su máquina está cepillando un taper, primero verifique si las cuchillas se encuentran apropiadamente montadas en la cabeza de corte. Luego verifique para ver si está colocada paralelamente a la mesa de trabajo entonces es paralela a la cabeza de corte. Proceda de la forma siguiente:

1. Desconecte la máquina de la fuente de energía eléctrica.
2. Coloque el bloque calibrador (Figura 21) sobre la mesa de trabajo directamente por debajo del borde la cuchilla como se muestra. Haga un contacto ligero elevando suavemente la mesa.
3. Mueva el bloque calibrador al extremo de la mesa de trabajo. **NOTA:** La distancia de la mesa de trabajo al borde del cuchillo debe ser la misma.
4. Si la mesa de trabajo no es paralela a la cabeza de corte realice el procedimiento de ajuste a continuación.
5. Retire los pernos que sostienen la cepilladora a la base. Incline la cepilladora cuidadosamente a un lado para ver la parte inferior de la base. (Figura 22).
6. Retire el perno (A, Figura 22) y afloje el perno (B, Figura 22) el cual permitirá mover el conjunto de la polea soporte (C, Figura 22) lo suficiente para liberar la tensión de la cadena.
7. Retire la cadena de la polea dentada soporte en particular en la esquina de la base que necesita ajustar.
8. Gire la polea dentada manualmente para ajustar esa esquina con las otras tres. **NOTA:** Girando la polea de base en el sentido horario incrementará la distancia entre la mesa de trabajo y el cabezal de fundición; si lo hace en el sentido antihorario disminuirá la distancia. Este ajuste es muy sensible y no debería ser necesario girar la polea soporte más de dos dientes.
9. Cuando los ajustes estén correctos, reemplace la cadena alrededor de la polea, deslice la polea soporte (C, Figura 22) para retensar la cadena, ajuste el perno (B, Figura 22) e insértelo y ajuste el perno (A, Figura 22).

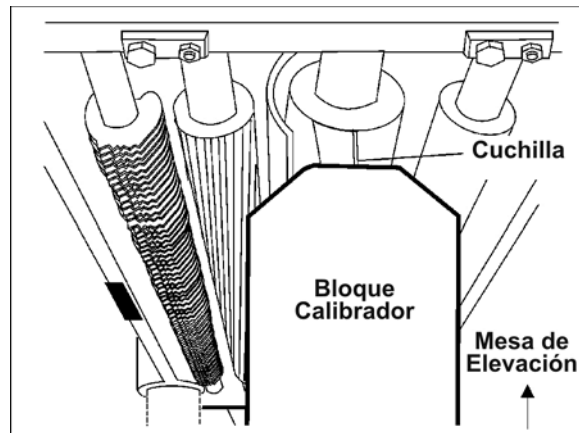


Figura 21

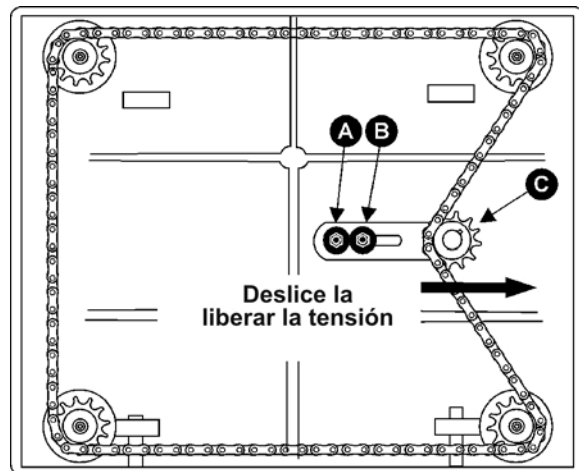


Figura 22

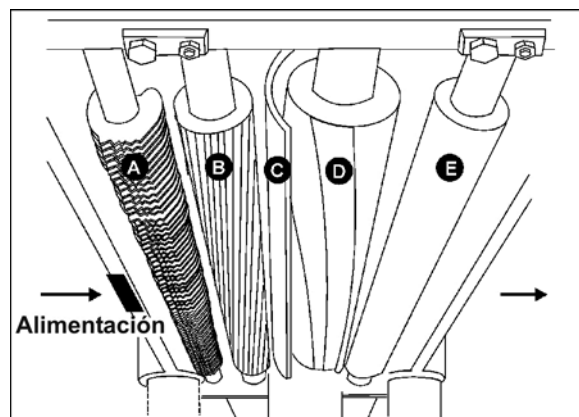


Figura 23

## Conozca los Rodillos de Transmisión de su Cepilladora

(Figura 23)

- A. Bloqueadores Antiretroceso
- B. Rodillo de Alimentación
- C. Rompevirutas
- D. Cabeza de Corte
- E. Rodillo de Salida

### Bloqueadores Antiretroceso

Los bloqueadores de antiretroceso (A, Figura 23) son una característica importante, ya que los mismos ayudan a prevenir el retroceso del material. Ellos operan por gravedad y deben ser inspeccionados frecuentemente para asegurar que los mismos se encuentren libres de resinas y gomas y operen correctamente.

### Tensión de los Resortes de los Rodillos de Alimentación y Salida

El rodillo de alimentación (B, Figura 23) y el rodillo de salida (E, Figura 23) son aquellas partes de la cepilladora que alimentan el material mientras el mismo es cepillado. El rodillo de alimentación y el de salida están sometidos a la tensión de un resorte y esta tensión debe ser suficiente para alimentar el material uniformemente a través de la cepilladora sin derrapar, pero no debería estar tan tenso ya que podría causar tensión a la placa. La tensión debería ser igual en ambos extremos de cada rodillo. Nota: Contacto Powermatic servicio técnico antes de intentar cualquier ajuste a la tensión del resorte.

### Altura del Rodillo de Alimentación, Rompevirutas, Rodillo de Salida

El rodillo de alimentación, rompevirutas, el rodillo de salida, vienen ajustado de fábrica. La relación de altura entre estos y la cabeza de corte es crucial para un cepillado exacto y seguro. El rodillo de alimentación y el rodillo de salida, deberían ser ajustados cada uno a 0.032" (0.81mm) por debajo del círculo de corte. El rompevirutas se fija incluso con el arco de corte. Vea la Figura 25.

Si se necesitan algunos ajustes para los arriba mencionados, los mismos se deben realizar cuidadosamente. Use los siguientes pasos como un ejemplo de procedimiento.

NOTA: Este procedimiento usa un bloque calibrador casero y calibradores de láminas, los cuales deberían ser suficientes para la mayoría de las operaciones de cepillado. Si precisa de mediciones extras, use un dial indicador.

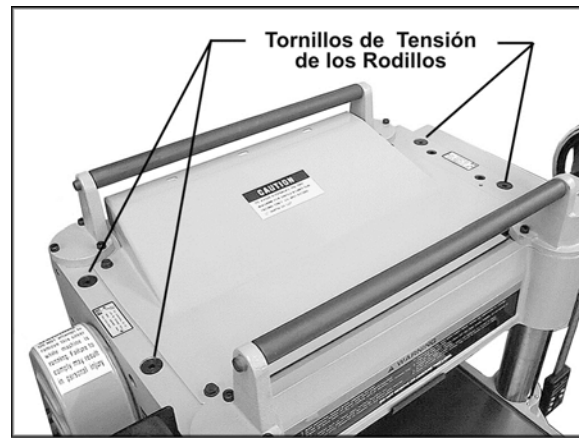


Figura 24

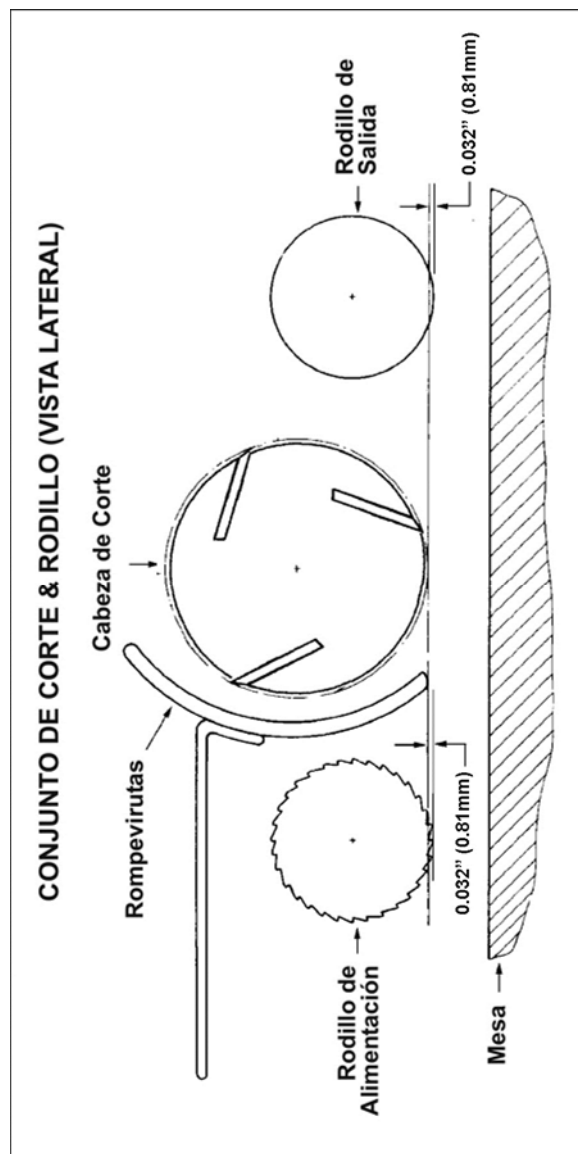


Figura 25

### Altura del Rodillo de Salida

1. Desconecte la máquina de la fuente de energía eléctrica.
2. Asegúrese de que todas las cuchillas se encuentren posicionadas apropiadamente como fuera explicado previamente bajo el título de "Ajuste de las Cuchillas".
3. Coloque el bloque calibrador (F, Figura 26) sobre la mesa directamente por debajo de la cabeza de corte (D, Figura 26).
4. Usando un calibrador de láminas de 0.032" (0.81mm) colocado en la parte superior del bloque calibrador, eleve la mesa de trabajo hasta que la cuchilla toque el calibrador de láminas cuando la cuchilla se encuentre en su punto más bajo. No mueva la mesa de trabajo hasta que el rodillo de salida esté ajustado.
5. Retire el calibrador de láminas y mueva el bloque de salida (F, Figura 27) bajo un extremo del rodillo de salida. La parte inferior del rodillo debería tocar la parte superior del bloque calibrador. Si es necesario un ajuste al rodillo de salida, afloje la tuerca de bloqueo (J, Figura 27) y gire el tornillo (H, Figura 27) hasta que el rodillo de salida toque el bloque calibrador. Luego ajuste la tuerca de bloqueo (J, Figura 27).
6. Verifique el ajuste del extremo opuesto del rodillo de salida de la misma manera.

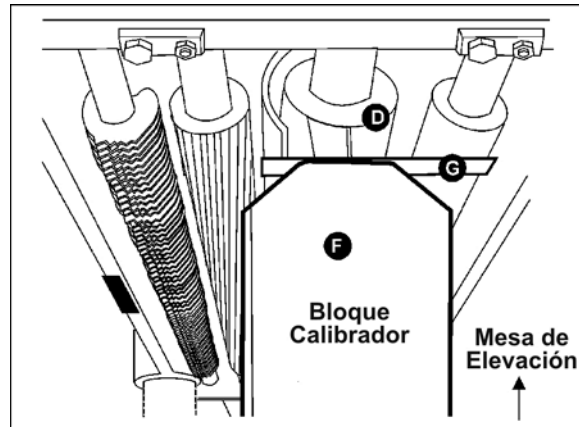


Figura 26

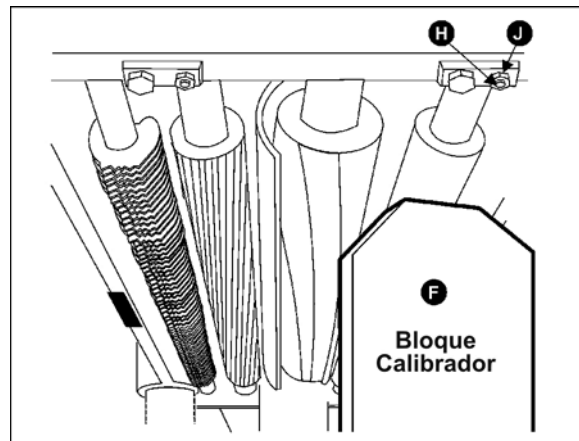


Figura 27

### Altura del Rodillo de Entrada

Use el mismo procedimiento para verificar el rodillo de alimentación como lo hizo con el rodillo de salida. Use el calibrador de láminas de .032" (0.81mm) para hacer tope al bloque calibrador. Si se requiere de ajustes, use la tuerca de bloqueo en cada extremo del rodillo de alimentación.

### Altura del Rompevirutas

El rompevirutas deshace las virutas más grandes antes de que el material alcance la cabeza de corte. Use el bloque calibrador para establecer el rompevirutas incluso con el arco de corte, siguiendo el siguiente procedimiento arriba indicado. Si se requiere de ajustes:

1. Retire la cubierta superior.
2. Afloje las tuercas de bloqueo (A, Figura 28) en ambos extremos del rompevirutas y gire los tornillos niveladores para elevar o bajar el rompevirutas según sea necesario. Los tornillos de nivelación deberían ser girados de igual forma.
3. Cuando el rompevirutas hace contacto con el bloque calibrador, ajuste ambas tuercas de bloqueo (A, Figura 28).

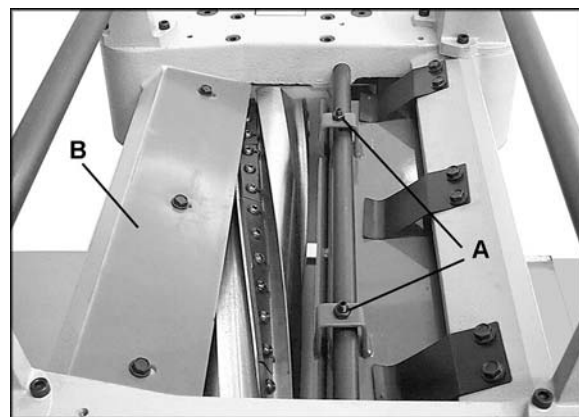


Figura 28



## Deflector de Virutas

El deflector de virutas (B, Fig. 28) evita que las virutas de madera se caigan en el rodillo de salida. El deflector debe estar colocado a una distancia de 1/16" a 1/8" de la punta de las cuchillas. Asegúrese que el deflector esté orientado de manera a que el bisel en su borde anterior coincida con forma de la cabeza de corte.

## Control de la Velocidad de Alimentación

Su máquina está equipada con rodillo de alimentación helicoidal aserrado, y rodillo de salida de acero sólido. Cuando los rodillos de alimentación son acoplados, ellos giran para alimentar el material. Los rodillos alimentadores disminuyen su marcha automáticamente cuando la máquina está sometida a una carga pesada para el mejor cepillado en todas las condiciones de trabajo. Los rodillos de alimentadores son impulsados por cadenas y poleas (vea la Figura 29) las cuales son impulsadas a su vez de la cabeza de corte a través de una caja de velocidades inmersa en aceite. La cadena de impulsión no necesita de un retensado, como un elemento de tensión (Figura 29), la misma mantiene su propia tensión en todo momento.

Para acceder a la cadena y las poleas:

1. Retire la manivela de la máquina.
2. Retire el tornillo de cabeza hueca del centro de la cubierta y retire la base triangular posterior. Vea la Figura 30.
3. Retire la cubierta de la máquina.

**⚠ ADVERTENCIA** Reinstale siempre la cubierta sobre la cadena y antes de operar la cepilladora.

La caja de velocidades tiene dos velocidades, Estas son activadas estirando o presionando la palanca de velocidades (Figura 31). Cambie siempre la velocidad de alimentación mientras la máquina se encuentre en funcionamiento. Una etiqueta que muestra las posiciones de la palanca está fijada justo por encima de la palanca. Se muestra también en la Figura 32.

**⚠ PRECAUCION** No intente cambiar la velocidad de alimentación mientras el material esté pasando a través de la máquina. La caja de velocidades podría dañarse.

## Rodillos de Retorno de Material

Los dos rodillos en la parte superior de la máquina sirven como un soporte conveniente del material. Ellos le ahorran tiempo y movimiento al operador ya que el material es regresado al lado de la alimentación.

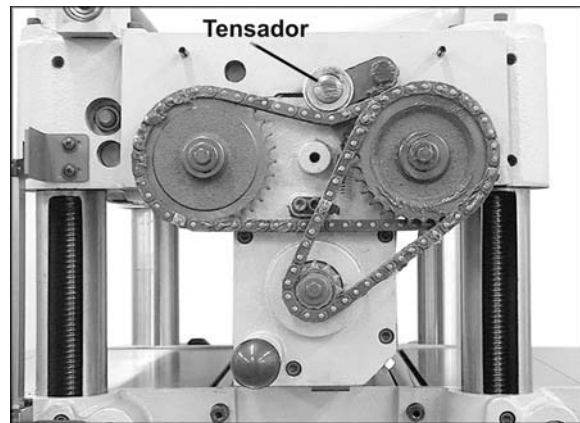


Figura 29

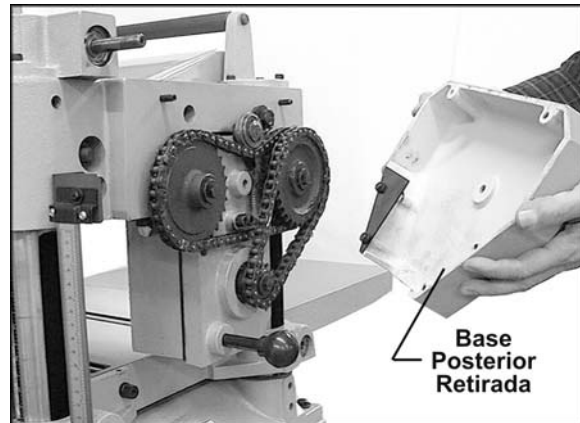


Figura 30

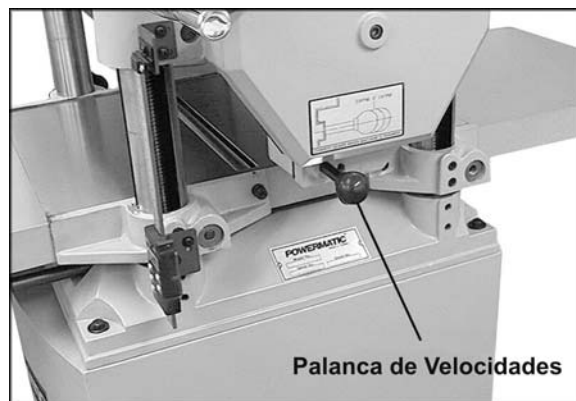


Figura 31

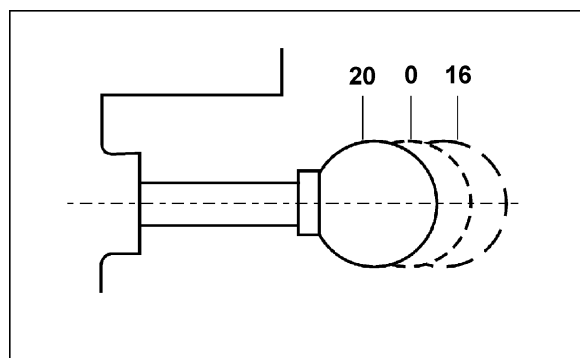


Figura 32

## Profundidad de Corte

La escala de profundidad de corte es una combinación de escala pulg./métrica (Figura 33), con un rango de corte de 0 a 6 pulgadas (152.4mm). Una escala manual es montada directamente en la primera columna. El modelo de cepilladora 15S también posee la característica de una escala digital para lecturas más fáciles y más precisas.

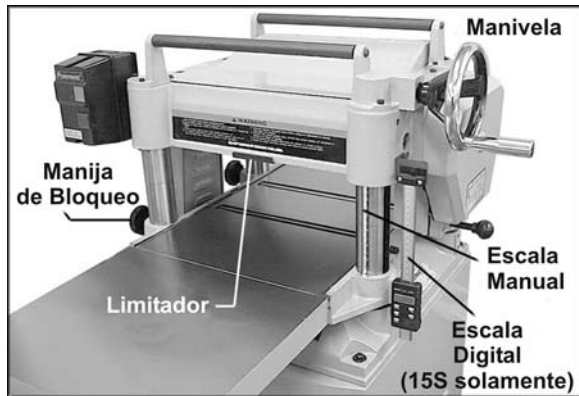


Figura 33

La distancia de movimiento ascendente o descendente es controlada por la manivela (Figura 33). Antes de mover la mesa para arriba o para abajo, afloje las manijas de bloqueo (Figura 33). Después de obtener la posición apropiada de la mesa, ajuste las manijas de bloqueo.

La profundidad máxima de corte es 3/16". Un limitador (Figura 33) de hierro fundido en el frente del cabezal limita la profundidad de corte en todo lo ancho de la mesa a 1/8"

La escala digital debería ser calibrada antes de operar la cepilladora. Refiérase a la página 21.

## Mantenimiento

**⚠ ADVERTENCIA** Desconecte la máquina de la fuente de energía eléctrica antes de ejecutar cualquier tarea de mantenimiento

Las inspecciones periódicas o regulares son requeridas para asegurar que la máquina esté ajustada apropiadamente, los tornillos se encuentren bien ajustados, las correas se encuentren en buen estado, el polvo no se acumule en los recintos eléctricos y que no existan conexiones eléctricas desgastada o flojas.

La acumulación de aserrín y otros restos pueden causar que la máquina cepille incorrectamente. La limpieza periódica no solo es recomendada sino que es obligatoria para un cepillo de exactitud.

Los accesorios cercanos entre sí tales como la ranura de la cabeza de corte y las contrachavetas deberían ser limpiadas con un paño o cepillo y solvente no inflamable y eliminados los cuerpos extraños adheridos a ellos.

Remueva la resina y otras acumulaciones en los rodillos de alimentación con un paño suave y material no solvente.

Verifique periódicamente las cadenas para una tensión apropiada y ajústela acordemente conforme sea necesario.

La mesa debería ser conservada limpia y libre de polvo para obtener buenos resultados. Algunos usuarios aplican una delgada capa de cera en pasta. Evite el uso de ceras que contengan silicona u otros materiales sintéticos. Estos materiales pueden adherirse al material de trabajo y mancharlos dificultando los detalles de terminación.

Otra opción es el talco en polvo aplicado con un borrador de pizarra frotado vigorosamente una vez por semana; esto llenará los poros y formará una barrera contra la humedad. Este método proporciona una superficie que sea pulida y permite que los anillos de óxido sean limpiados fácilmente de la superficie. Es también importante el hecho de que el talco en polvo no manche ni estropee las terminaciones de la madera o algunos otros productos como lo hace la cera.

## Lubricación

Los rodamientos en la cabeza de corte están selladas de por vida y no requieren lubricación

### Lubricante de la Caja de Velocidades

El lubricante en la caja de velocidades debe ser reemplazado cada 2.500 horas. El lubricante multipropósito para la caja de velocidades será adecuado.

Para reemplazar el lubricante:

1. Retire la tapa de drenaje (A, Figura 34) con una llave de 14mm y retire la tapa del depósito (B-Figura 33). Drene el aceite usado por completo.
2. Inserte y ajuste la tapa de drenaje (A, Figura 34).
3. Llene con lubricante limpio a través del orificio (B, Figura 34).
4. Instale y ajuste la tapa del depósito (B, Figura 34).

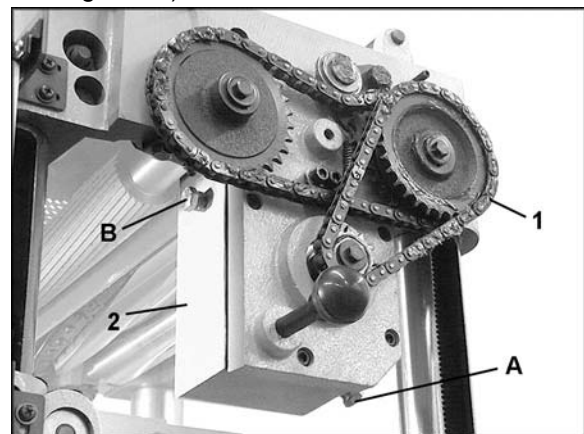


Figura 34

Los números de ítem de esta tabla están referenciados a las figuras circundantes

No.	Posición	Intervalo de Inspección	Tipos Adecuados de Lubricantes	Figura Nro.
1	Cadena de Impulsión	Mensualmente	Grasa	34
2	Caja de Velocidades	A las 2500 Hs de operación	Aceite de Caja, peso 70-90	34
3	Rodillos de Retorno	Periódicamente	SAE-30	36
4	Engranaje de Tornillo Sin Fin	Mensualmente	Grasa	37
5	Tornillo de Avance	Cada tercero mes	Grasa	37
6	Columna	Semanalmente	Limpie las columnas y aplique SAE-30	37
7	Cadena de Mesa	Cada 4 a 6 mes	Grasa, lubricante de buena calidad para cadena de bicicleta	38
8	Rodillos Alimentadores	Diariamente	Limpie y aplique SAE-30	39

Figura 35

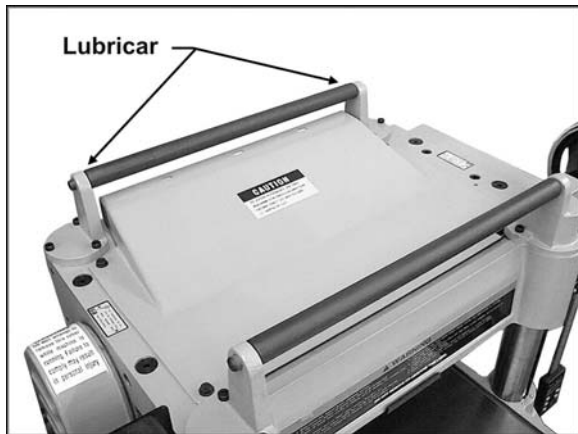


Figura 36

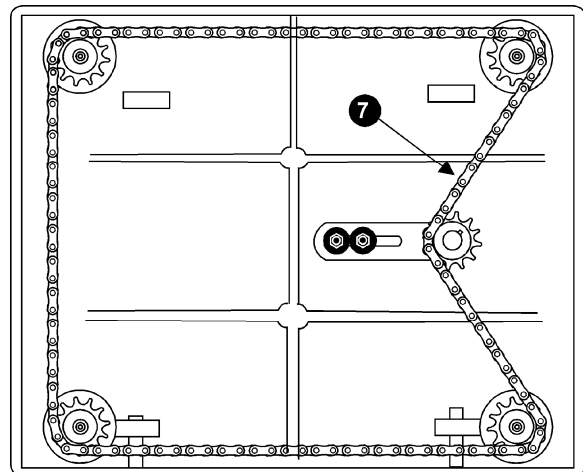


Figura 38

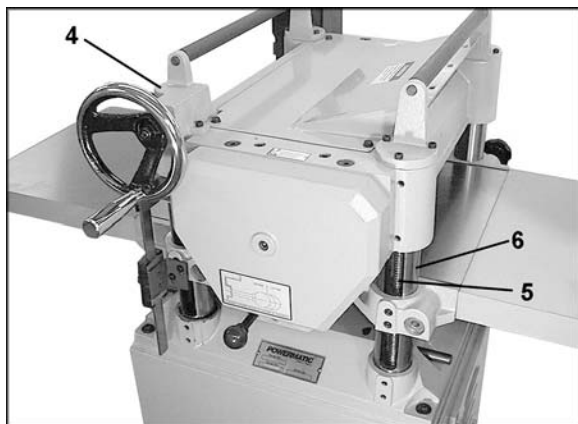


Figura 37

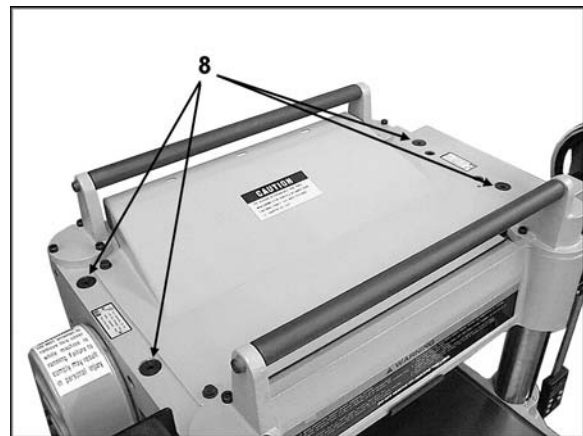


Figura 39

## Funciones de la Regla Digital (Modelo 15 S solamente)

La figura 40 identifica las partes de la regla digital. Las funciones de los botones son discutidas abajo, seguidas por la siguiente sección dando ejemplos de cómo calibrar sus ajustes y como estas funciones pueden ser usadas para operaciones diarias de cepillado.

Antes de usar el dispositivo, limpie hacia abajo la regla vertical con un paño seco y blando. No use las formulas líquidas de limpieza en solución. No permita que ningún líquido (tal como el aceite de máquina) contacte con el cuerpo de la pantalla. Conserve el dispositivo limpio.

Este dispositivo usa una batería de 1.55 voltios (SR44). Si precisa ser sustituida (vea Diagnóstico de Problemas en la página 26 para determinar esto), deslice la cubierta de la batería e inserte la batería con el polo positivo hacia fuera. **NOTA:** Luego de reemplazar la batería, el ajuste de la pantalla digital indica cero, por lo que el dispositivo debe ser recalibrado.

### **ON/OFF/ZERO** – encendido y ajuste del cero

Pulse el botón de ON/OFF/ZERO no más de 3 segundos para encender el equipo.

Pulse el botón de ON/OFF/ZERO al menos 3 segundos para apagar la pantalla digital.

Mientras se encuentre en el modo relativo, presione ON/OFF/ZERO (no más de 3 segundos) para convertir a la posición actual en el cero relativo.

Mientras se encuentre en el modo absoluto, presión presión ON/OFF/ZERO (no más de 3 segundos) para ajustar la posición como punto de cero absoluto.

### **ABS** – modos absoluto/relativo

El dispositivo está en modo absoluto apenas el equipo esté encendido y muestre el cero absoluto. Si se eleva y se baja la mesa de la cepilladora, se inicia la medición absoluta. La medición absoluta está basada en la distancia del la cabeza de corte a la mesa, y representa por lo tanto el espesor de su tabla.

Presione el botón de ABS (no más de 3 segundos) para conmutar El modo relativo "INC" aparecerá en la pantalla. El valor mostrado en está en el modo relativo; es una posición incremental que puede cereada en cualquier momento y determina no solo el espesor de la tabla, sino cuanto material debe ser retirado de la tabla. Moviendo la tabla para arriba y para abajo, mostrará ahora la medición relativa hasta que presione nuevamente ABS para volver al modo absoluto.

**IMPORTANTE:** Coloque siempre la pantalla digital en el modo relativo ("INC") antes de apagarla. Si la apaga mientras está en el modo absoluto ("ABS") su valor de ajuste absoluto será por defecto cero.

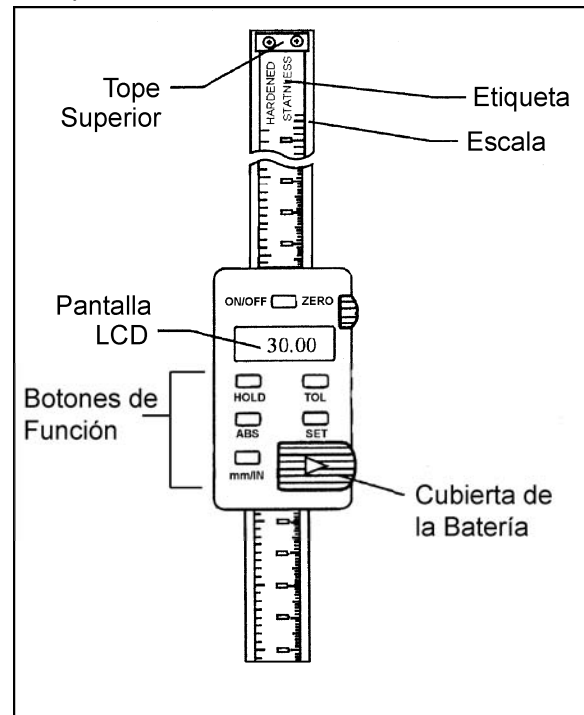


Figura 40

### **MM/INCH** – milímetros/pulgadas

Presionando este botón conmuta entre los sistemas métrico e imperial y puede ser hecho en cualquier momento sin afectar los ajustes.

### **HOLD** – paraliza los datos de la pantalla

Presionando este botón se "congela" la medición en la pantalla; permanecerá aún si la mesa se mueve. Presione HOLD nuevamente y regresa a las mediciones normales-

### **SET** – ajusta un valor

Presionando SET; el indicador mostrará de manera intermitente en la pantalla "SET". Presione y mantenga el botón de SET y cada dígito se encenderá de modo intermitente. Cuando el dígito que desea se enciende intermitentemente, libere el botón de SET. Presione el botón de SET una vez (no más de 1 segundo) y ese dígito se incrementará a razón de uno cada vez que el botón de SET sea presionado. Cuando haya concluido, presione y mantenga el botón de SET hasta que el indicador "SET" se encienda intermitentemente, luego presione nuevamente el botón de SET (no más de 1 segundo). El indicador de "SET" desaparece y el valor cargado es el que aparece en la pantalla.

A partir de este momento, cualquier movimiento en la mesa, será referido a este ajuste. Este ajuste será conservado en la memoria del dispositivo aún cuando la pantalla sea apagada, y solo necesita un reajuste luego que la batería haya perdido su carga y necesite ser sustituida.

### **TOL** – ajuste de tolerancia

Esta función no es generalmente empleada en las operaciones de cepillado, pero es explicada aquí a modo de referencia.

Presione TOL y un indicador de la flecha para arriba aparecerá, así como también se encenderá intermitentemente la el indicador “SET”. Ahora puede cambiar la tolerancia límite superior. Mantenga presionado el botón de TOL y cada dígito se va encendiendo de manera intermitente. Cuando el dígito que desea se enciende intermitentemente, libere el botón de TOL.

Presione el botón de TOL una vez (no más de 1 segundo) y ese dígito se incrementará en uno por cada vez que presione el botón de TOL.

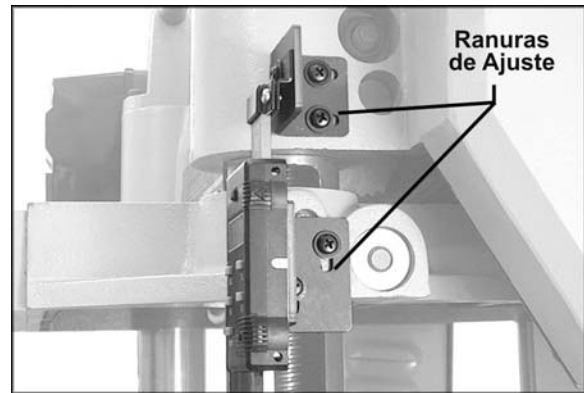
Cuando haya terminado, presione y sostenga el botón de TOL hasta que el indicador “SET” se encienda de manera intermitente. Mientras el indicador de “SET” se encienda de manera intermitente, presione el botón de SET para cambiar el sentido del indicador de la flecha a la flecha para abajo. Ahora puede cambiar la tolerancia límite inferior de la misma manera a que lo hizo con la tolerancia límite superior.

Cuando haya terminado el ajuste de la tolerancia límite inferior, mientras el indicador “SET” se encienda de manera intermitente, presione el botón de SET (no más de 1 seg.). Este dispositivo se encuentra en el modo de medición de tolerancia. Si el indicador de la flecha para arriba se muestra, significa que el valor medido está por encima del valor límite superior. Si el indicador de la flecha para abajo es mostrado, el valor medido está por debajo del valor límite inferior. Si la pantalla muestra el indicador “OK”, el valor medido se encuentra dentro de tolerancia.

## **Calibración & Uso de la Escala Digital**

### **Alineación de la Regla**

El conjunto de la regla ha sido montado y alineado con la mesa de la cepilladora 15S en la fábrica. La regla debe estar en la posición vertical, y el dispositivo debería deslizarse suavemente a lo largo de la longitud de la regla. Verifique ocasionalmente que los tornillos que sujetan al dispositivo a la cepilladora, estén bien ajustados. Si alguna realineación alguna vez fuera necesaria, se tienen las ranuras suministradas en los soportes de montaje (Fig. 41).



*Figura 41*

### **Determinación del Cero Absoluto**

Uno de sus primeros pasos debería ser “crear” la escala digital en el modo absoluto. Esto es equivalente a encontrar el punto exacto de contacto entre la cuchilla de la cabeza de corte y la mesa. Este no puede ser realizado simplemente mediante la elevación de la mesa, debido a que el limitador de profundidad en el cabezal de fundición evitará el contacto entre la mesa y la cabeza de corte. Sin embargo, hay 2 métodos relativos para determinar el cero en el modo absoluto.

**El Método 1** emplea un calibre tal como un calibre de altura o un bloque calibrador casero (vea la Fig. 17). Si usa un bloque calibrador casero, asegúrese que haya sido cortado exactamente de acuerdo a las especificaciones.

1. Desconecte la máquina de la fuente de energía eléctrica.
2. Encienda la pantalla digital. La misma se enciende en el modo absoluto.
3. Coloque el calibrador sobre la mesa de la cepilladora y bajo la cabeza de corte. (Asegúrese que el calibrador repose solidamente sobre la mesa y no sobre los rodillos.
4. Eleve la mesa hasta que el calibre toque justo el punto más bajo de una cuchilla. Sacuda la cabeza de corte suavemente (use la polea para hacer esto) para asegurar que el punto elevado de la cuchilla esta en contacto con el calibre.
5. La lectura del calibre, o la altura del bloque calibrador, deberá ahora ser la entrada de la pantalla digital. Refiérase a las instrucciones de arriba que involucran a la función del botón “SET” para ingresar este número en su pantalla digital.

**El Método 2** usa un trozo de tabla y calibres

1. Encienda la pantalla digital. La misma se enciende en el modo absoluto.
2. Coloque una lado de un trozo de tabla a una profundidad de corte apropiada y segura (por ejemplo 1/16”).
3. Eleve la mesa según el mismo valor (1/16”), luego dé vuelta el trozo de tabla y cepille el otro lado. No mueva la mesa de su posición actual.
4. Mida el trozo de tabla cepillada cuidadosamente con calibres (Nuestro ejemplo en la Fig. 42 muestra la lectura de los calibres en .850”) Esta medición del trozo de madera terminada es el equivalente de la distancia de la mesa a la cuchilla.
5. Ingrese la medición de los calibres a la pantalla digital. Refiérase a las instrucciones de arriba que involucren a la función del botón “SET” para ingresar este número en su pantalla digital. (La Fig. 42 muestra la lectura de los calibres en .850” ahora enviada a la pantalla digital)



Figura 42

### Uso del Método de Medición Relativa

El ajuste absoluto, para el cual debería determinar el punto cero, le da la altura de su tabla terminada después del corte. (distancia de la mesa a la cabeza de corte.

El método por medición relativa, es útil solamente para la medición del material que desea retirar (esto es la profundidad de corte) y eliminar debiendo sumar, o restar para encontrar el ajuste apropiado. Es especialmente útil cuando se cepillan varias placas para el mismo espesor.

A continuación un ejemplo usando la medición relativa:

1. Ha cepillado una placa con un ajuste de una pulgada bajo una medición absoluta. No mueva la mesa de esta posición. Desea incrementar la profundidad de corte en la próxima pasada en .063 pulgadas.
2. Presione el botón de ABS para iniciar el modo de medición relativa- (“INC” aparecerá en la pantalla)
3. Siga las instrucciones sobre el uso de la función de SET. Usted ingresará ceros para todos los dígitos, estableciendo el ajuste de cero para el modo de medición relativo.
4. Luego de establecer el cero relativo, eleve la mesa hasta que la pantalla digital indique “.065 pulgadas” en el modo de medición relativo. Ahora puede cepillar su tabla con resultados exactos. Por supuesto puede cambiar entre los modos de medición absoluta y relativa (presionando el botón de ABS) y obtener ambas lecturas del espesor y la profundidad del material al mismo tiempo.

### Eliminando la Tabla Atascada

Si tiene que mover temporalmente la mesa de la cepilladora (por ejemplo, retirar la tabla atascada) use el botón de HOLD para recordar su ajuste original.

1. Si una tabla se atascó, presione el botón de HOLD. Su ajuste será congelado en la pantalla.
2. Baje la mesa y elimine la tabla atascada
3. Eleve la mesa de vuelta a la posición general y haga una nota mental del número “congelado”.
4. Presione HOLD para reactivar la pantalla a la medición absoluta y ajuste la mesa hasta que coincida con la medición previamente congelada en la pantalla.

NOTA: El botón de hold no almacenará permanentemente un ajuste. Si el botón es presionado una segunda vez, el número desaparece.

### Más Usos

La regla digital ha sido diseñada para almacenar el tiempo del operador y la energía, lo que orienta a una productividad mejorada. A medida que su vuelve experimentado con el uso de la lectura digital y explore como usar una función en conjunto con otra, será capaz de combinar las funciones para satisfacer sus propios hábitos de trabajo y necesidades de cepillado.

## Diagnóstico de Problemas: Problemas de Desempeño

Problema	Causa Probable	Solución
Bisel <i>(NOTA: El bisel no puede ser eliminado, pero puede ser minimizado como para ser despreciado.)</i>	Rodillos de la mesa colocados en forma inadecuada.	Ajuste los rodillos a la altura adecuada.
	Soporte inadecuado de placas largas.	Coloque las placas largas sobre soportes de rodillos de extensión.
	Presión desigual del rodillo alimentador del frente para atrás	Ajuste la presión del rodillo alimentador.
	Cuchillas Gastadas o Cuchillas Intercambiables	15S: Afile o sustituya las cuchillas int . 15HH: Rote o sustituya las cuchillas intercambiables.
	Madera no está junta a tope.	Junte a tope extremo con extremo cada pieza de material a medida que la tabla pase a través de la cepilladora.
Grano Difuso.	Cepillado de madera con un alto contenido de humedad.	Seque la madera para eliminar el alto contenido de humedad.
	Cuchillas gastadas o cuchillas Intercambiables.	15S: Afile o sustituya las cuchillas int . 15HH: Rote o sustituya las cuchillas intercambiables.
Grano Desgarrado.	Corte demasiado profundo.	Ajuste la profundidad de corte apropiada.
	Corte de cuchillas (o intercambiables) contra el sentido del grano.	Corte a lo largo donde le sea posible.
	Cuchillas gastadas o cuchillas Intercambiables.	15S: Afile o sustituya las cuchillas int . 15HH: Rote o sustituya las cuchillas intercambiables
Grano Rugoso/ Elevado.	Cuchillas gastadas o cuchillas Intercambiables.	15S: Afile o sustituya las cuchillas int . 15HH: Rote o sustituya las cuchillas intercambiables
	Corte demasiado profundo.	Ajuste la profundidad de corte apropiada.
	Cepillado de madera con un alto contenido de humedad.	Seque la madera para eliminar el alto contenido de humedad.
Superficie Redonda/ Dañada.	Cuchillas gastadas o cuchillas Intercambiables.	15S: Afile o sustituya las cuchillas int . 15HH: Rote o sustituya las cuchillas intercambiables
	Velocidad de alimentación muy lenta.	Incremente la tasa de alimentación.
	Profundidad de Corte muy superficial.	Incremente la profundidad de corte.
Alimentación Insuficiente de Madera.	Presión inadecuada del rodillo de alimentación.	Ajuste la tensión del rodillo de alimentación. Si la tensión apropiada no se puede obtener, sustituya los rodillos alimentadores.
	Mesa de la Cepilladora sucia o rugosa.	Limpie la goma y residuos de la mesa y aplique pasta de cera.
	La correa resbala en las poleas.	Tensione la correa.
	Superficie o el rodillo de alimentación atascados.	Limpie la goma y residuos del rodillo.

## Diagnóstico de Problemas: Problemas Eléctricos y Mecánicos

Problema	Causa Probable	Solución
Profundidad de corte desigual de lado a lado.	Proyección de la cuchilla incorrecta (15S solamente).	Ajuste la cuchilla de Protección.
	Mesa no paralela a la cabeza de corte.	Ajuste el paralelismo de la mesa/cabeza de corte.
El grosor de la tabla no coincide con la profundidad de la escala de corte.	La profundidad de la escala de corte no es correcta.	Ajuste la profundidad de la escala de corte.
La cadena salta.	Tensión inadecuada.	Ajuste la tensión de la cadena.
	Poleas desalineadas.	Alinear las poleas.
	Poleas gastadas.	Sustituya las poleas.
La máquina no arranca/reinicia o causa el disparo repetido del interruptor o quema los fusibles.	No hay alimentación de energía.	Verifique las conexiones de alimentación de energía a la cepilladora.
	El reseteo automático por sobrecarga no fue reiniciado.	Cuando la cepilladora se sobrecarga el interruptor incorporado en el motor de arranque, toma tiempo para que la máquina se enfríe antes de reiniciarla. Permita que la unidad se enfríe adecuadamente antes de intentar el reinicio. Si el problema persiste, verifique el amperaje del motor de arranque dentro de la carcasa metálica.
	La Cepilladora active el relé de sobrecarga frecuentemente.	Una causa de disparo por sobrecarga que no es eléctrica por naturaleza es un corte de mucho peso. La solución es realizar corte más livianos. Si el corte profundo no es problema, verifique el amperaje ajustado en el relé térmico. Haga coincidir el amperaje a plena carga del motor como se observa en el dato de placa. Si el ajuste corriente es correcto, entonces probablemente existe alguna conexión suelta. Verifique el ajuste de corriente del motor de arranque.
	El Interruptor de la instalación dispara o el fusible se quema.	Verifique que la cepilladora se encuentre montada en el circuito correcto. Si el circuito es correcto, probablemente hay una conexión suelta. Verifique el ajuste de corriente en el motor de arranque.



Problema	Causa Probable	Solución
<p>La máquina no arranca/reinicia o causa el disparo repetido del interruptor o quema los fusibles.</p> <p>(cont.)</p>	<p>Conexiones Eléctricas Sueltas</p>	<p>Revise todas las conexiones eléctricas en la cepilladora, incluyendo las conexiones del motor. Verificando el apriete de cada una de ellas. Busque cualquier signo de arqueo eléctrico, lo cual es un indicador seguro de conexiones sueltas o sobrecarga del circuito.</p>
	<p>Falla en el arranque del motor</p>	<p>Examine el arrancador del motor en busca de componentes quemados o fallados. Si se encuentra algún daño, sustituya el arrancador del motor. Si el motor eléctrico es sospechoso del problema, tiene dos opciones: Haga que un electricista calificado verifique la funcionalidad del motor o compre un nuevo arrancador y establezca la causa del problema al cambiarlo. Si tiene acceso a un voltímetro, puede distinguir una falla del arrancado de la falla del motor, verificando primero la tensión de entrada de 230+/-10% V y segundo, verificando la tensión entre el arrancador y el motor a 230+/-10% V. Si la tensión de entrada es incorrecta, entonces tiene un problema de alimentación de energía eléctrica. Si la tensión entre el arrancador y el motor es incorrecta entonces tiene un problema en el arrancador. Si la tensión entre el arrancador y el motor es correcta, entonces el motor tiene problemas.</p>
	<p>Falla del Motor</p>	<p>Si el motor eléctrico es sospechoso del problema, tiene dos opciones: Haga que un electricista calificado verifique la funcionalidad del motor o retirar el motor y llévelo a un taller especialista en la reparación de motores eléctricos para su prueba.</p>
	<p>Cableado erróneo de la unidad</p>	<p>Verifique para confirmar que todas las conexiones eléctricas sena correctas y ajustadas apropiadamente. Realice las conexiones necesarias.</p>
	<p>Falla de la Llave on/off (encendido/apagado)</p>	<p>Si la llave de on/off (encendido/apagado) es la sospechosa, entonces tiene dos opciones: Haga que un electricista calificado verifique la funcionalidad de la llave, o adquiriera una llave nueva y determine si ese era el problema con el cambio de llave.</p>

## Diagnóstico de Problemas: Escala Digital – Modelo 15S solamente

Problema	Causa Probable	Solución
Dígitos intermitentes.	Baja tensión.	Sustituya la batería.
Dígitos Bloqueados.	Memoria colgada.	Extraiga la batería, espere treinta segundos y luego reinsértela.
No hay pantalla.	Falso contacto de la batería.	Mejore el contacto de la batería.
	Baja tensión.	Sustituya la batería.
Muestra solamente '0000'.	Cortocircuito del resorte de ajuste del cero y la fuente de señal.	Extraiga el marco y ajuste el resorte.
Botones de funciones no funcionan.	Distorsión de los resortes por sobre-presión.	Extraiga el marco y ajuste los resortes.

## Seguro del Interruptor

Para salvaguardar la seguridad de su máquina de operaciones imprevistas y evitar arranques accidentales por parte de niños, el uso de un candado (no suministrado) es altamente recomendado.

Para bloquear el interruptor de encendido/apagado

(Figura 43):

1. Abra el candado.
2. Inserte el mismo a través de los orificios en el botón de arranque.
3. Cierre el candado.
4. Almacenar la llave de candado en lugar de seguridad.

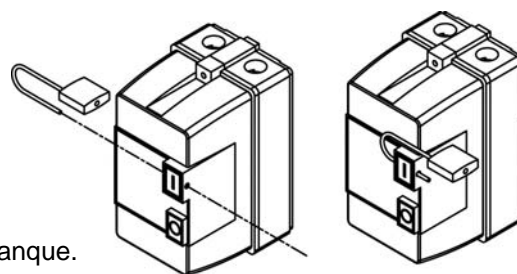


Figura 43

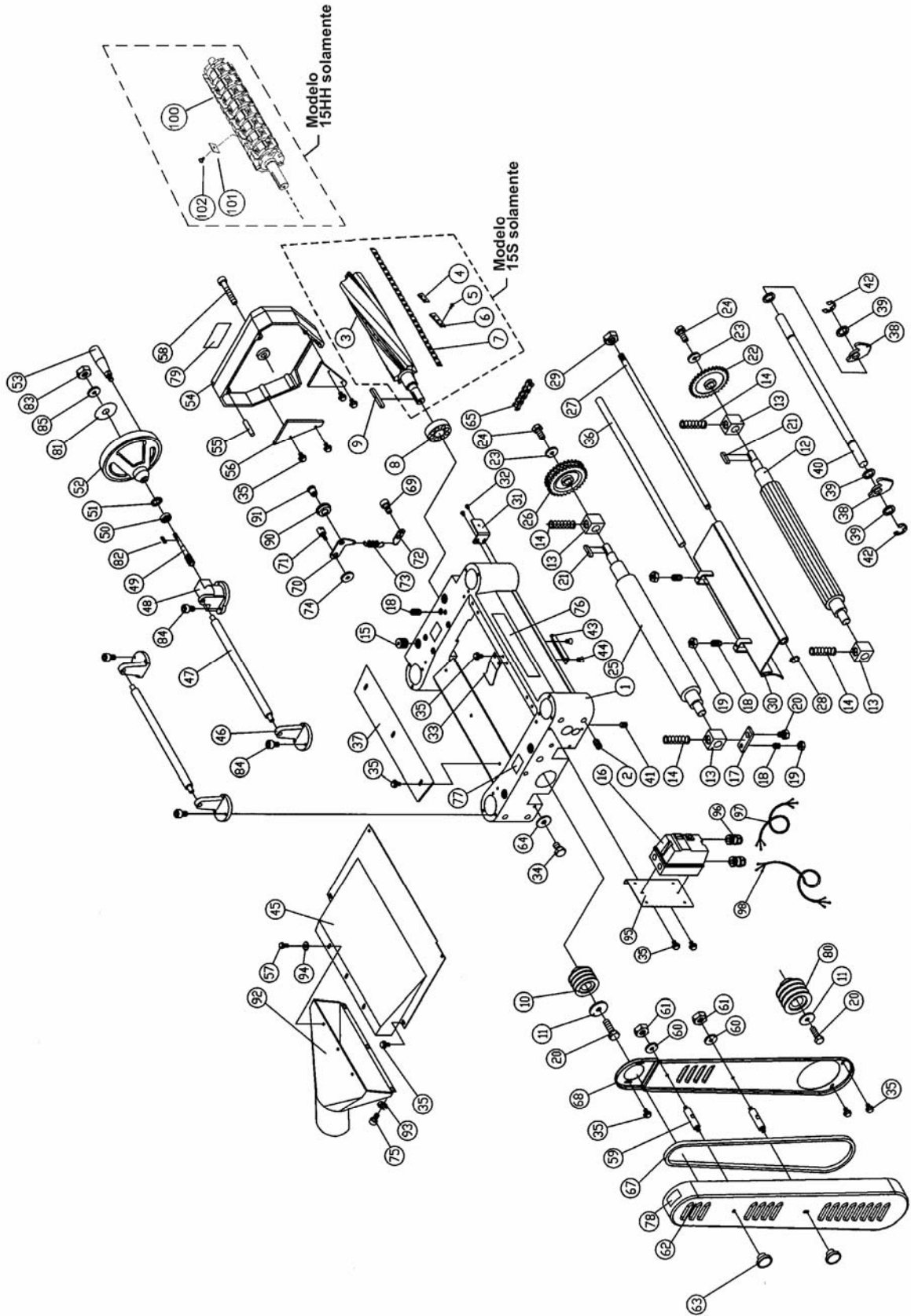
## Accesorios Opcionales

708816	Cuchillas (juego de 3) – <i>Modelo 15S solamente</i>
15S-600	Batería para la Escala Digital – <i>Modelo 15S solamente</i>
15S-601	Cubierta de Batería – <i>Modelo 15S solamente</i>
1791212	Cuchillas Intercambiables (juego de 10) – <i>Modelo 15HH solamente</i>
708520	DRO Juego de Retrofit (Adaptador)

## Lista de Partes

Las partes se listan en las siguientes páginas. Para ordenar los repuestos o contactar con nuestro departamento de servicio, llame al 1-800-274-6848 de Lunes a Viernes (vea nuestra página Web en relación a nuestro horario de atención [www.powermatic.com](http://www.powermatic.com) ) Tenga su número de modelo y de serie disponibles al llamarnos, eso nos permitirá ayudarle rápidamente y con exactitud.

# Conjunto del Cabezal



## Lista de Partes: Conjunto del Cabezal

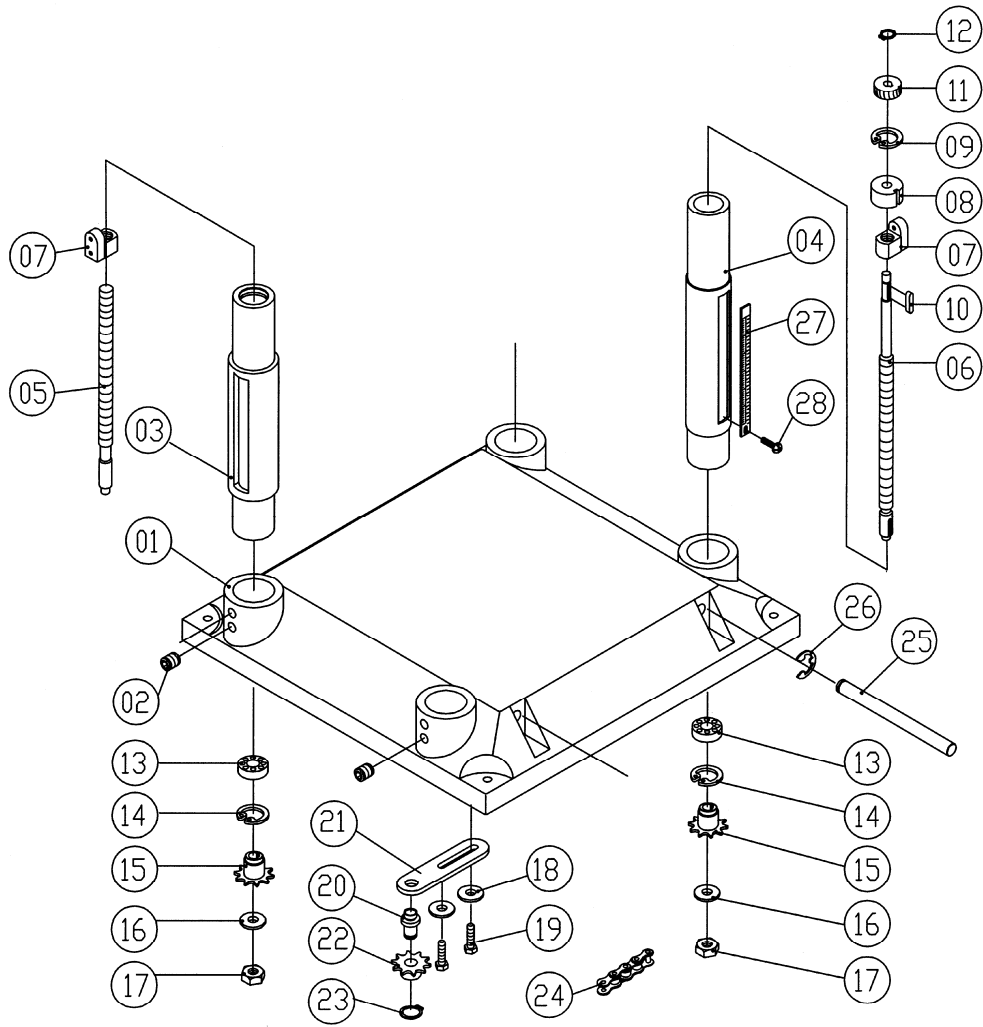
Nro. de Lista.	Parte Nro.	Descripción	Tamaño	Cantidad
	15S-201	Conjunto de la Cabeza de Corte (Ítems 3 al 9)		1
1	6284753	Carcasa del Rodillo		1
2	TS-1525011	Tornillo Nivelador de Cabeza Hueca	M10x10	8
3	15S-203	Cabeza de Corte Helicoidal		1
4	15S-204	Contrachaveta Corta		3
5	15S-205	Tornillo Circular de Cabeza Hexagonal Hueca*	M6x1.0Px14L	42
6	15S-206	Contrachaveta Larga		12
7	708816	Cuchilla Helicoidal*		3
8	6284759	Rodamiento	6205-2NSE	1
9	6284760	Chaveta	8x8x36	1
10	6284761	Polea		1
11	TS-1550061	Arandela Plana	M8	2
12	6284763	Rodillo de Alimentación		1
13	6284764	Soporte de Retención		4
14	6284765	Resorte		4
15	6284766	Tornillo	M22-1.5Px20L	4
16	15S-216A	Interruptor Magnético	3HP, 1PH, 230V	1
	15S-216AC	Contactador (no se muestra)	3HP, 1PH, 230V	1
	15S-216AO	Relé Térmico (no se muestra)	3HP, 1PH, 230V	1
17	6284767	Soporte		4
18	TS-1523051	Tornillo Nivelador de Cabeza Hueca	M6x16	7
19	TS-1540041	Tuerca Hexagonal	M6-1.0P	6
20	TS-1490041	Tornillo de Cabeza Hexagonal	M8x25	2
21	6284770	Chaveta	5x5x22	2
22	6284771	Polea dentada	31T	1
23	TS-1550041	Arandela Plana	M6	2
24	TS-1482031	Tornillo de Cabeza Hexagonal	M6x16	2
25	6284774	Rodillo de Salida		1
26	6284775	Polea dentada	1T	1
27	6284776	Eje		1
28	6284777	Anillo de Retención	TW-12	1
29	TS-1540081	Tuerca Hexagonal	M12	1
30	6284779	Rompevirutas		1
31	15S-231	Placa*		1
32	15S-232	Tornillo*	5-0.8Px8L	2
33	6284780	Soporte		3
34	TS-1482021	Tornillo de Cabeza Hexagonal	M6x12	4
35	6284781	Tornillo de Cabeza Hexagonal con arandela	M6-1.0Px12L	23
36	6284782	Eje del Deflector de Virutas		1
37	6284783	Base del Deflector de virutas		1
38	6284784	Pale antiretroceso		39
39	6284785	Espaciador		40
40	6284786	Eje		1
41	TS-1524031	Tornillo Nivelador de Cabeza Hueca	M8	1
42	6284788	Junta E-Ring	ETW-15	2
43	6284789	Limitador de Profundidad		1
44	6284790	Tornillo de Cabeza Plana Phillips	M5-0.8Px8L	2
45	6284791	Cubierta contra el polvo		1
	6284792	Conjunto de Rodillo		1
46	6284793	Soporte del Rodillo		3
47	6284794	Rodillo		2
48	6284795	Motorreductor sinfin		1
49	6284796	Engranaje Helicoidal		1
50	6284797	Rodamiento		1
51	6284798	Anillo de Retención	RTW-30	1

\* Las piezas No. 3, 4, 5, 6, 7, 31 y 32 son usadas solamente en la cepilladora Modelo 15S.

Nro. de Lista.	Parte Nro.	Descripción	Tamaño	Cantidad
52	6284799	Manivela		1
53	6284828	Manija	3/8-16NC	1
54	6284700	Cubierta		1
55	6284701	Pasador de Resorte	6-20	2
56	6284702	Placa		2
57	TS-1481021	Tornillo de Cabeza Hexagonal	M5x10	3
58	TS-1504091	Tornillo de Cabeza Hueca	M8x45	1
59	6284804	Espiga		2
60	TS-0680031	Arandela Plana	5/16	2
61	TS-0561021	Tuerca Hexagonal	5/16-18	2
62	15S-262	Cubierta de la Polea		1
63	6284808	Tuerca		2
64	TS-1550061	Arandela Plana	M8	4
65	6284810	Cadena	06B-63	1
67	6284811	Correa	M59	3
68	6284812	Guarda de la Polea		1
69	TS-1503021	Tornillo de Cabeza Hueca	M6x10	2
70	6284814	Soporte		1
71	6284815	Eje		1
72	6284818	Estribo		1
73	6284819	Resorte	1.2	1
74	6284720	Arandela Plana	8.2x22x4.5T	1
75	TS-1503031	Tornillo de Cabeza Hueca	M6x12	3
76	6284820	Etiqueta de Advertencia		1
77	6284821	Etiqueta de Lubricación		2
78	15S-278	Etiqueta de Advertencia		1
79	6284823	Etiqueta de Velocidad		1
80	6284824	Polea del Motor		1
81	6284830	Etiqueta de Dirección de Manivela		1
82	6284712	Chaveta	4x4x10	1
83	TS-1540071	Tuerca Hexagonal	M10	1
84	TS-1503051	Tornillo de Cabeza Hueca	M6x20	12
85	6284718	Arandela Plana	10x20x1.5T	1
90	6284816	Polea Intermedia		1
91	6284817	Eje		1
92	6284825	Cubierta contra el polvo		1
93	TS-2361061	Arandela de Presión	M6	3
94	TS-1550031	Arandela Plana	M5	3
95	15S-295	Placa del Interruptor		3
96	15S-296	Aliviador de Tensión		3
97	15S-297	Cable del Motor		3
98	15S-298	Cable de Alimentación		3
99	15S-299	Pasador de Ajuste de la cuchilla (no se muestra) <i>Mod. 15 S solamente</i>		2
100	1791211A	Cabeza de Corte Helicoidal** ( <i>No. de serie 170615HH7145 y superior</i> )		1
101	1791212A	Cuchilla Intercambiable (juego de 10) **	15x15x2.5mm	75 total
102	15HH-2102A	Tornillo de Cuchilla Intercambiable **	10-32x1/2 T25P	75
	15S-HK	Juego de Accesorios para el 15S (vea la pág 9 para los ítems incluidos)		

\*\* Las piezas nro. 100, 101 y 102 son usadas solo par alas cepilladoras 15HH.

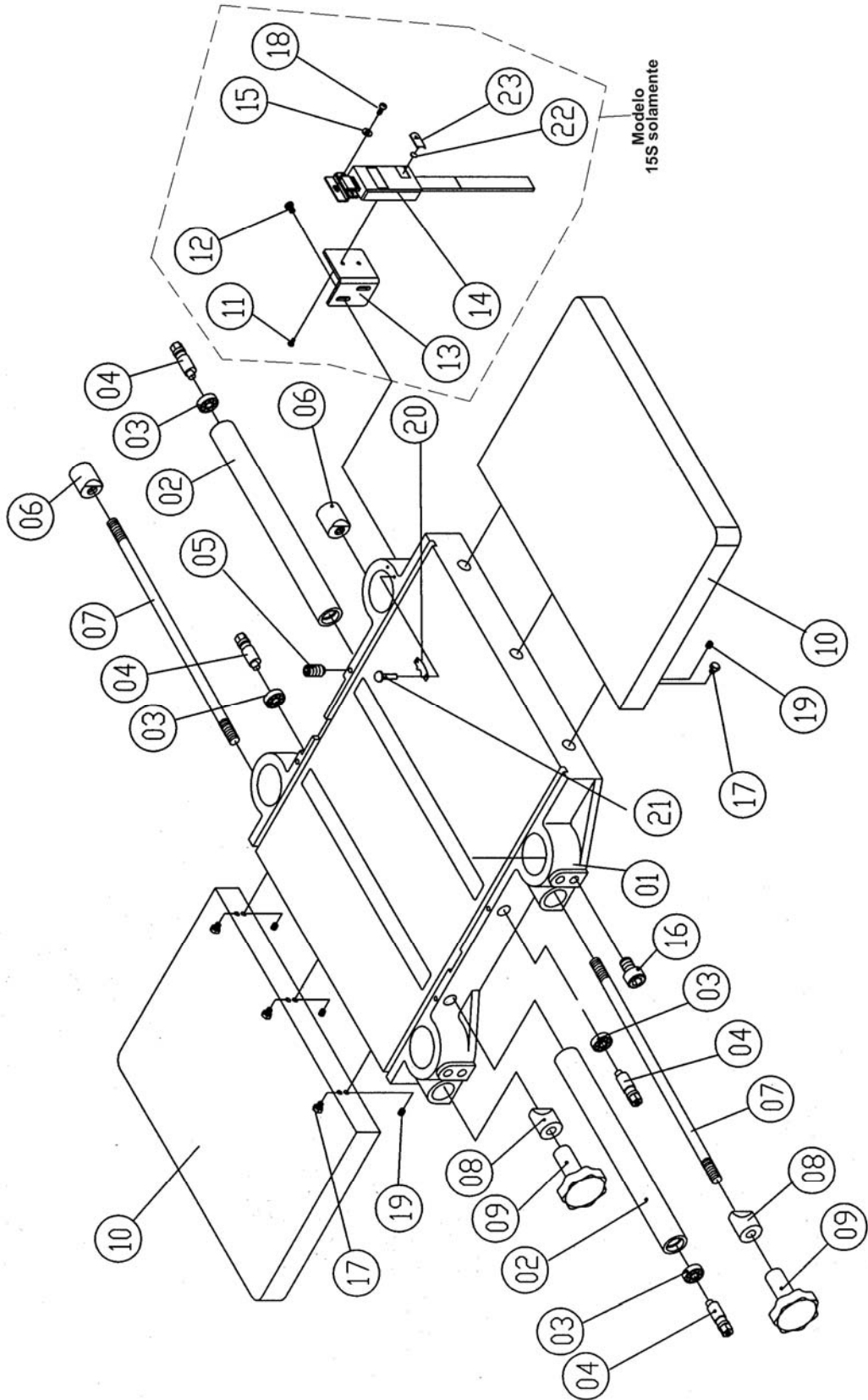
# Conjunto de Base



## Lista de Partes: Conjunto de Base

Nro. de Lista.	Parte Nro.	Descripción	Tamaño	Cantidad
1	6284703	Base		1
2	TS-1525021	Tornillo Nivelador de Cabeza Hueca	M10x12	8
3	6284705	Columna		3
4	6284706	Carcasa de la Columna		1
5	6284707	Tornillo de Avance		3
6	6284708	Biela del Tornillo de Avance		1
7	6284709	Tuerca de Avance		4
8	6284710	Boquilla		1
9	6284711	Anillo de Retención, Interno	RTW-38	1
10	6284712	Chaveta	4x4x10	1
11	6284713	Engranaje		1
12	6284714	Anillo de Retención	STW-10	1
13	6284715	Rodamiento	6202Z	4
14	6284716	Anillo de Retención, Interno	RTW-35	4
15	6284717	Polea dentada		4
16	TS-1550071	Arandela Plana	M10	4
17	TS-1540071	Tuerca Hexagonal	M10	4
18	TS-1550061	Arandela Plana	M8	2
19	TS-1490041	Tornillo de Cabeza Hexagonal	M8x25	2
20	6284722	Eje		1
21	6284723	Soporte de Tensión		1
22	6284724	Polea dentada		1
23	6284725	Anillo de Retención	STW-15	1
24	6284726	Cadena	41x134P	1
25	6284727	Barra de Izamiento		4
26	6284728	Junta E-Ring	ETW-12	4
27	6284729	Escala		1
28	6284730	Tornillo	M3-0.5Px6L	1

# Conjunto de Mesa



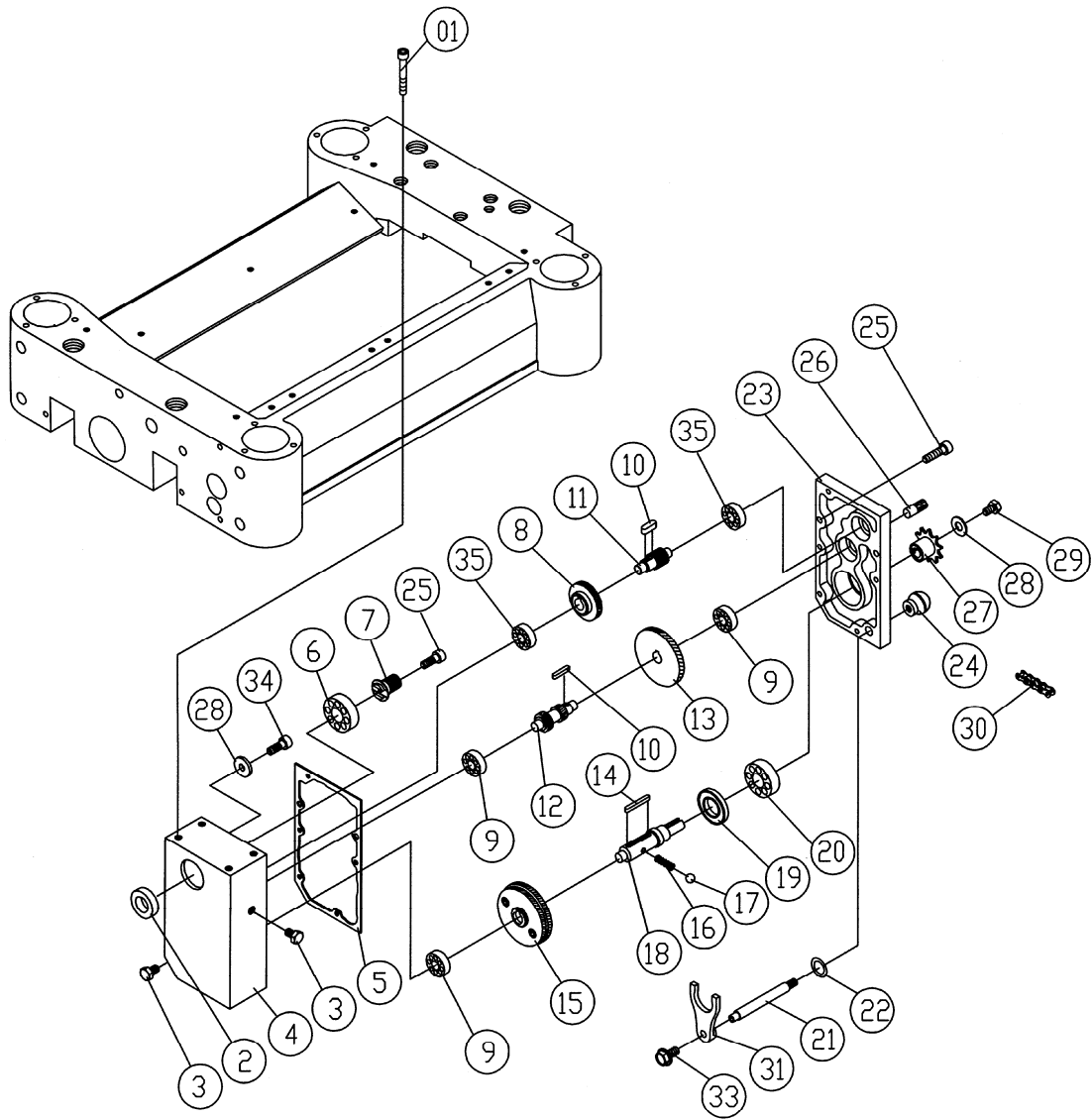


## Lista de Partes: Conjunto de Mesa

Nro. de Lista.	Parte Nro.	Descripción	Tamaño	Cantidad
1	15S-301	Mesa		1
2	6284732	Rodillo de Mesa		2
3	6284733	Rodamiento		4
4	6284734	Ajustador Excéntrico		4
5	TS-1523041	Tornillo Nivelador de Cabeza Hueca	M6x12	4
6	6284737	Tuerca de Bloqueo		2
7	6284738	Eje roscado		2
8	6284736	Boquilla de Bloqueo		2
9	6284739	Pomo	M12-1.75P	2
10	15S-310	Mesa de Extensión de Hierro Fundido		2
11	TS-1531012	Tornillo de Cabeza Circular Phillips*	M3x6	2
12	15S-312	Tornillo*	M5-0.8Px8L	2
13	15S-313	Placa*		1
14	15S-314	Indicador Digital de Lectura*		1
15	TS-1550021	Arandela Plana *	M4	1
16	TS-1503051	Tornillo de Cabeza Hueca	M6x20	8
17	TS-1490041	Tornillo de Cabeza Hexagonal	M8x25	6
18	15S-318	Tornillo*	M4-0.7Px8L	1
19	TS-1524021	Tornillo Nivelador de Cabeza Hueca	M8x20	6
20	6284750	Puntero de Escala		1
21	6284751	Remache		2
22	15S-600	Batería*	1.5 voltios	1
23	15S-601	Cubierta de la Batería*		1
	708520	Juego Adaptador DRO * (Nro de Lista. 11-15, 18, 22 y 23)		

\* Las partes usadas con un asterisco son usadas solamente en las cepilladoras 15S

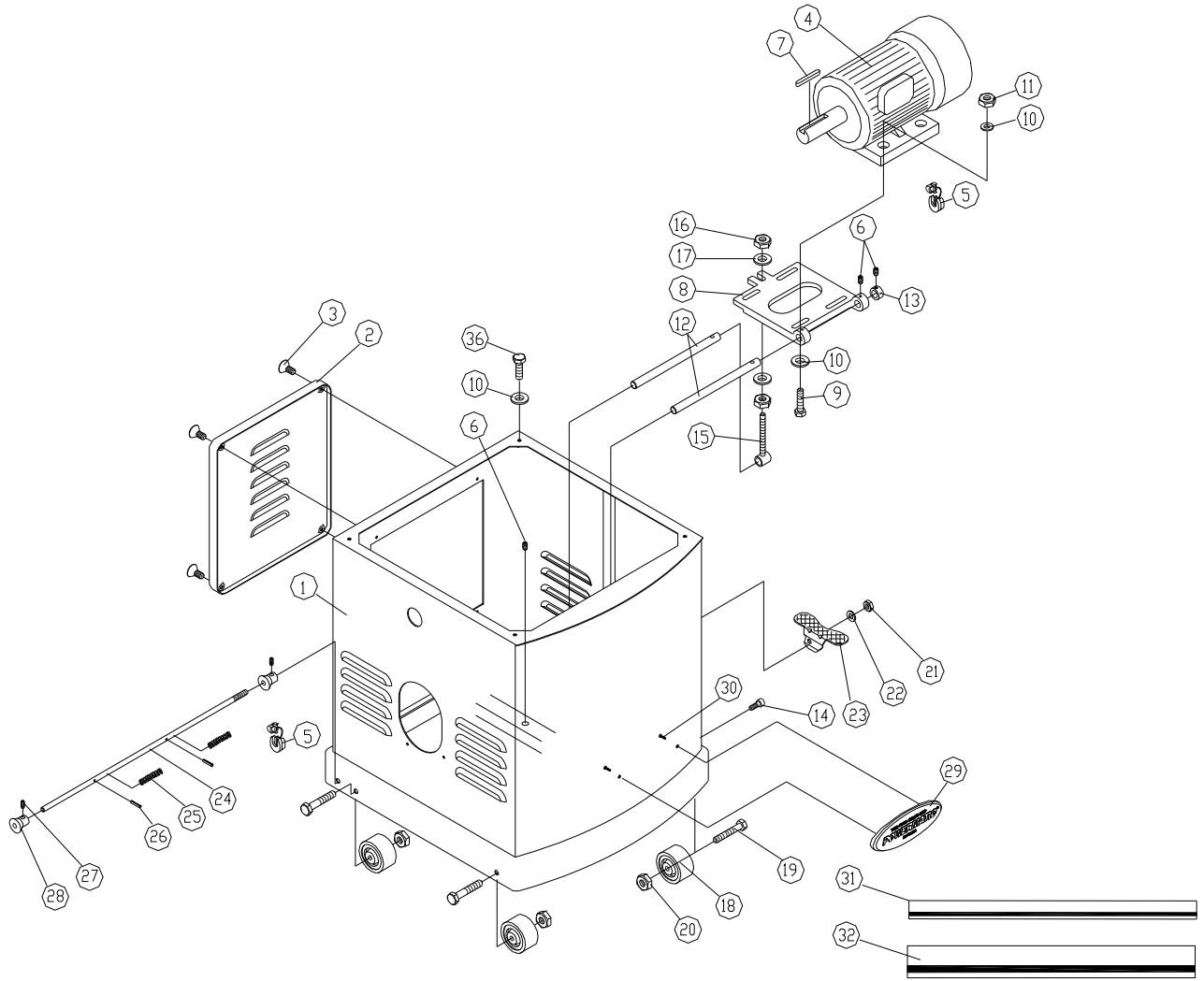
# Conjunto de la Caja de Velocidad



## Lista de Partes: Conjunto de la Caja de Velocidad

Nro. de Lista.	Parte Nro.	Descripción	Tamaño	Cantidad
	6284842	Conjunto de la Caja de Velocidad (Ítems 1 a 35)		1
1	TS-1504101	Tornillo de Cabeza Hueca	M8x50	4
2	6284843	Sello de Aceite	TC28-40-8	1
3	6284844	Enchufe, NPT	PT1/4"-19	2
4	6284845	Caja de Velocidad		1
5	6284846	Junta		1
6	BB-6204ZZ	Rodamiento	6204ZZ	1
7	6284848	Engranaje Helicoidal		1
8	6284849	Engranaje	47T	1
9	BB-6201Z	Rodamiento	6201Z	3
10	6284851	Chaveta	5x5x10	2
11	6284852	Eje de un solo engranaje	18T	1
12	6284853	Eje de engranaje doble	18, 22T	1
13	6284854	Engranaje	71T	1
14	6284855	Chaveta	6x6x40	1
15	6284856	Conjunto de Engranajes		1
16	6284857	Resorte	0.6	1
17	6284858	Balín de Acero	6	1
18	6284859	Eje del Engranaje		1
19	6284860	Sello de Aceite	SC25-47-6	1
20	6284861	Rodamiento	6204Z	1
21	6284862	Manija de Embrague		1
22	6284863	Junta O'Ring		1
23	6284864	Cubierta de la Caja de Velocidades		1
24	6284865	Pomo	32-3/8"-16NC	1
25	TS-1482051	Tornillo de Cabeza Hexagonal	M6x25	6
26	6284867	Pasador		2
27	6284868	Polea dentada	12T	1
28	TS-1550041	Arandela Plana	M6	1
29	TS-1482031	Tornillo de Cabeza Hexagonal	M6x16	1
30	6284870	Cadena	06B-47	1
31	6284871	Embrague		1
33	15S-433	Bulón hexagonal con arandela	M6-1.0Px12L	1
34	TS-1503031	Tornillo de Cabeza Hueca	M6x12	1
35	6284874	Rodamiento	6201	2

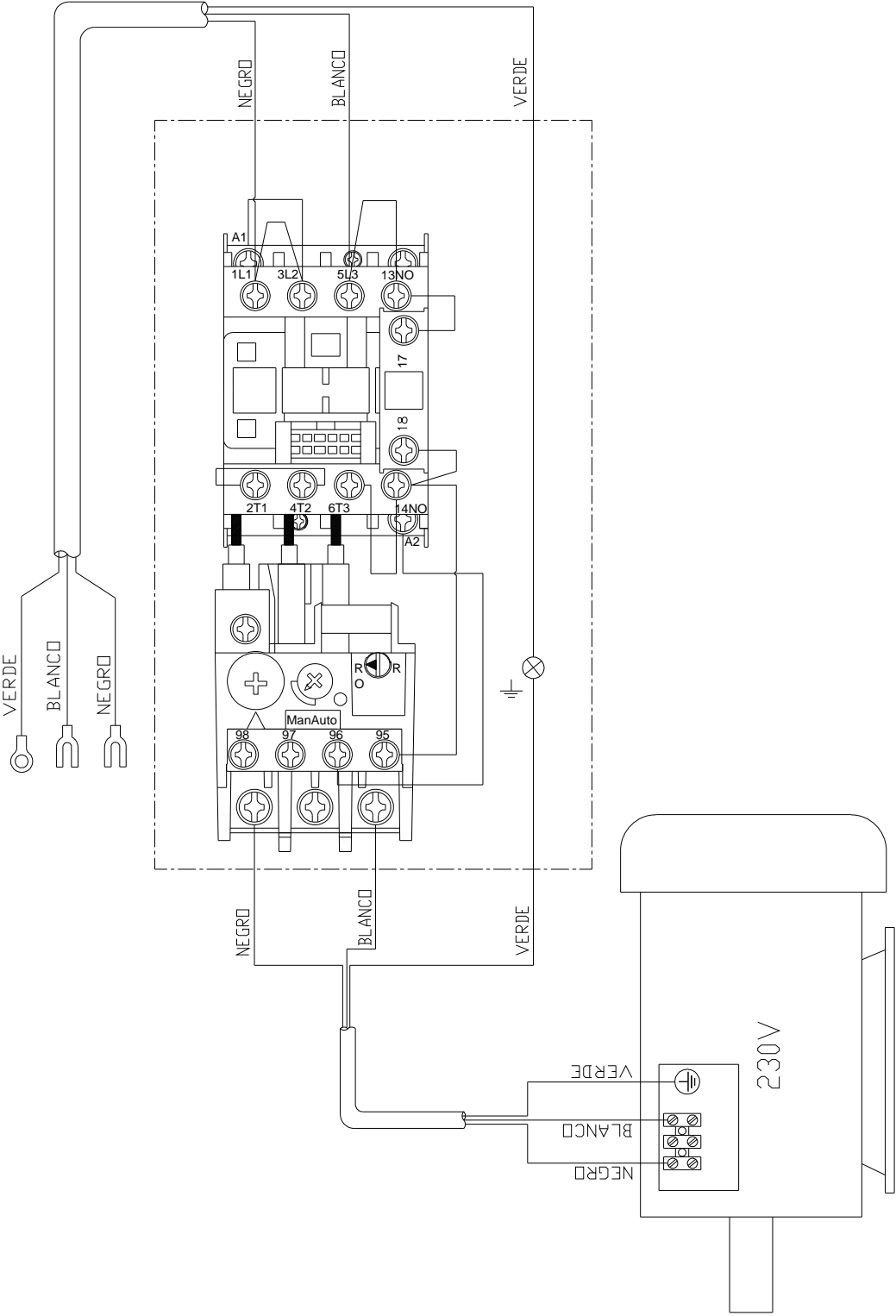
# Conjunto de Gabinete



## Lista de Partes: Conjunto de Gabinete

Nro. de Lista.	Parte Nro.	Descripción	Tamaño	Cantidad
	6284875	Conjunto de Gabinete (Ítems del 1 al 29)		1
1	15S-501	Gabinete		1
2	6284877	Puerta		1
3	TS-2236121	Tornillo de cabeza plana phillips	M6x12	4
4	6284878	Motor		1
5	6284895	Dispositivo de Alivio de Tensión	SB8R-3	2
6	TS-1523041	Tornillo Nivelador de Cabeza Hueca	M6x12	4
7	6284880	Chaveta	5x5x30	1
8	6284881	Placa del Motor		1
9	TS-1490051	Tornillo de Cabeza Hexagonal	M8x30	4
10	TS-0680031	Arandela Plana	5/16	12
11	TS-1540061	Tuerca Hexagonal	M8-1.25P	4
12	6284885	Barra Pivote		2
13	6284886	Espaciador		1
14	TS-1503031	Tornillo de Cabeza Hueca	M6x12	1
15	6284888	Conjunto del Perno de Tensión		1
16	6284831	Tuerca Hexagonal	M10-1.25P	2
17	TS-0680061	Arandela Plana	1/2	2
18	6284890	Rueda		4
19	TS-0060111	Tornillo de Cabeza Hexagonal	3/8"-16x2.5	4
20	6284892	Tuerca de Bloqueo	3/8"-16NC	4
21	15S-521	Tuerca de Bloqueo	M10-1.5P	1
22	TS-1550071	Arandela Plana	M10	1
23	15S-529	Freno a pedal		1
24	15S-524	Eje		1
25	15S-525	Resorte		2
26	15S-526	Pasador de Rodillo		2
27	TS-1523011	Tornillo Nivelador de Cabeza Hueca	M6x6	2
28	15S-528	Leva Excéntrica		2
29	PM2000-105	Placa de Datos POWERMATIC		1
30	TS-0813022	Tornillo de Cabeza Circular	1/4-20 x 3/8"	2
31	PM2700-441	Tira de estrecho		<i>ver sell por pie</i>
32	PM2700-440	Tira de ancho		<i>ver sell por pie</i>

# Conexiones Eléctricas – Sist. Monofásico 230 Voltios



## Mantenimiento Preventivo

### Lista de Verificación para las Cepilladoras 15H y 15S

- [ ] Demarcación de Área de Trabajo alrededor de la máquina.
- [ ] Franjas antideslizantes en el piso donde el operador se para.
- [ ] Inspeccione la máquina completa en búsqueda de tuercas, pernos, tornillos flojos Ajustelos y reemplácelos de ser necesario.
- [ ] Limpie la mesa y el área de la cabeza de corte, retire el aserrín y las virutas con un cepillo de cerda suave. Retire la goma y la resina con un detergente para hornos.
- [ ] Lubrique los sitios apropiados con una grasa de buen grado de antiendurecimiento.
- [ ] Limpie la superficie de la mesa. Si está oxidada. Use una mezcla en pasta de amoníaco de uso casero un buen detergente comercial y una virulana de acero 000. Lave la superficie con una agua jabonosa caliente, enjuague y seque completamente. Recubra la superficie con talco en polvo, frotando enérgicamente con un borrador limpio de pizarra.
- [ ] Verifique la condición de la cuchilla; debería estar afilada y libre de hendiduras o canales.
- [ ] Verifique la condición de la polea, sustitúyala de ser necesario. Aplicar pasta antideslizante. Verifique la tensión de la correa.
- [ ] Verifique la presencia de cables flojos y congestión de aserrín, poleas ajustadas y alineadas.
- [ ] Verifique los rodamientos. Sustituya cualquier rodamiento sospechoso de inmediato.
- [ ] Verifique la nivelación de las mesas de extensión con respecto a la mesa principal.



427 New Sanford Road  
LaVergne, Tennessee 37086  
Teléfono: 800-274-6848  
[www.powermatic.com](http://www.powermatic.com)