

*If you have questions or comments, contact us.
Pour toute question ou tout commentaire, nous contacter.
Si tiene dudas o comentarios, contáctenos.*

1-800-4-DEWALT • www.dewalt.com

**INSTRUCTION MANUAL
GUIDE D'UTILISATION
MANUAL DE INSTRUCCIONES**

INSTRUCTIVO DE OPERACIÓN, CENTROS DE SERVICIO Y PÓLIZA
DE GARANTÍA. **ADVERTENCIA:** LÉASE ESTE INSTRUCTIVO ANTES
DE USAR EL PRODUCTO.

DEWALT®

DWMT70775

3/8" Impact Wrench

Clé à chocs 9,5 mm (3/8 po)

Llave de impacto de 9,5 mm (3/8")

DWMT70775

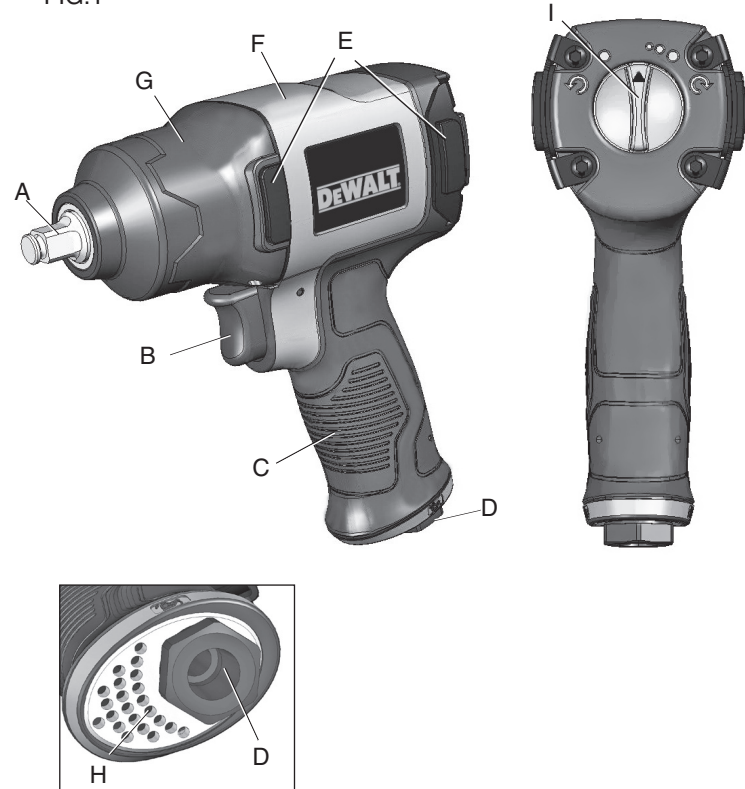
3/8" IMPACT WRENCH

- | | |
|------------------------------------|--|
| A. 3/8" Square Drive | F. Composite Body |
| B. Trigger | G. Twin Hammer Mechanism |
| C. Ergonomic Handle | H. Exhaust |
| D. 1/4" Air Inlet | I. Forward/Reverse Dial
Adjustable Power Dial |
| E. Shock Resistant Housing Bumpers | |

SPECIFICATIONS

MODEL	DWMT70775
SQUARE DRIVE	3/8"
CLUTCH TYPE	Twin Hammer
MAXIMUM TORQUE (REVERSE)	300 Ft.Lbs (405 Nm)
FREE SPEED (@90PSI)	11000 RPM
BLOWS PER MINUTE	1200 BPM
NET WEIGHT	2.8 LBS (1.3Kg.)
EXHAUST TYPE	Handle
AVERAGE AIR CONSUMPTION (@ 90 PSI)	33.5 SCFM (16 L/s) 4.8 CFM (2.3 L/s)
AVERAGE AIR CONSUMPTION (AT LOAD)(@ 90 PSI)	24.7 SCFM (12 L/s) 3.5 CFM (1.7 L/s)
AIR INTLET SIZE	1/4" NPT(F)
RECOMMENDED HOSE SIZE	3/8" (10MM)
MAX. AIR PRESSURE	90 PSI

FIG.1



Definitions: Safety Guidelines

The definitions below describe the level of severity for each signal word. Please read the manual and pay attention to these symbols.

▲ DANGER: Indicates an imminently hazardous situation which, if not avoided, **will** result in **death or serious injury**.

▲ WARNING: Indicates a potentially hazardous situation which, if not avoided, **could** result in **death or serious injury**.

▲ CAUTION: Indicates a potentially hazardous situation which, if not avoided, **may** result in **minor or moderate injury**.

CAUTION: Used without the safety alert symbol indicates a potentially hazardous situation which, if not avoided, **may** result in **property damage**.

IF YOU HAVE ANY QUESTIONS OR COMMENTS ABOUT THIS OR ANY DEWALT TOOL, CALL US TOLL FREE AT: 1-800-4-DEWALT (1-800-433-9258)

IMPORTANT SAFETY INSTRUCTIONS

▲ WARNING: Some dust created by power sanding, sawing, grinding, drilling, and other construction activities contains chemicals known to the State of California to cause cancer, birth defects or other reproductive harm. Some example of these chemicals are:

- Lead from lead-based paints
- Crystalline silica from bricks and cement and other masonry products

- Arsenic and chromium from chemically-treated lumber

Your risk from these exposures varies, depending on how often you do this type of work. To reduce your exposure to these chemicals: work in a well ventilated area, and work with approved safety equipment, always wear **OSHA/MSHA/NIOSH** approved, properly fitting face mask or respirator when using such tools. When using air tools, basic safety precautions should always be followed to reduce the risk of personal injury.

▲ WARNING: This product contains chemicals, known to the State of California to cause cancer, and birth defects or other reproductive harm. Wash hands after handling.

SAVE THESE INSTRUCTIONS

▲ WARNING:



Improper operation or maintenance of this product could result in serious injury and property damage. Read and understand all warnings and operating instructions before using this equipment. When using air tools, basic safety precautions should always be followed to reduce the risk of personal injury.

▲ WARNING:



Read and understand this instruction manual and tool labels before installing, operating or servicing this tool. Keep these instructions in a safe accessible place.



Operators and others in work area must wear **ANSI Z87.1 CAN/CSA Z94.3** approved safety glasses with side shields.



Operators and others in work area must wear ear protection.



Oil daily for optimal performance.

▲ WARNING:

- *Avoid prolonged use: repetitive motion or exposure to vibration may be harmful to your hands or arms. Use gloves to provide extra cushion, take frequent rest periods, and limit daily time of use.*
- *Do Not Use oxygen or reactive gases; explosion may occur.*
- *Do Not Exceed air pressure of 90 PSI.*
- *Read all manuals included with this product carefully. Be thoroughly familiar with the controls and the proper use of the equipment.*
- *Only persons well acquainted with these rules of safe operation should be allowed to use the air tool.*
- *Do not exceed any pressure rating of any component in the system.*
- *Disconnect the air tool from air supply before changing tools or attachments and during non-operation.*
- *Always wear safety glasses and ear protection during operation. Always wear approved safety glasses with shields. Always wear approved hearing protection.*
- *Do not wear loose fitting clothing or apparel which contains loose straps or ties, etc. Which could become entangled in moving parts of the tool and results in serious personal injury.*
- *Do not wear jewelry, watches, identifications, bracelets, necklace, etc. When operating any tool, they may become caught in moving parts and result in serious injury.*
- *Do not depress trigger when connecting the air supply hose.*
- *Always use attachments designed for use with air powered impact tools.*
- *Do not use damaged or worn attachments.*

▲ WARNING:

DO NOT use hand tool sockets. Use impact quality sockets only.

▲ WARNING:

- *Never trigger the tool when not applied to a work object. Attachments must be securely attached. Loose attachments can cause serious injury.*
- *Protect air lines from damage or puncture.*
- *Never point an air tool at oneself or any other person. Serious injury could occur.*
- *Check air hoses for weak or worn condition before each use. Make sure all connections are secure.*
- *Keep all nuts, bolts and screws tight and ensure equipment is in safe working condition.*
- *Do not put hands near or under moving parts.*



⚠ WARNING: RISK OF EXPLOSION OR FIRE

WHAT CAN HAPPEN

- Abrasive tools such as sanders and grinders, rotating tools such as drills, and impact tools such as wrenches, hammers, and reciprocating saws are capable of generating sparks which could result in ignition of flammable materials.
- Exceeding the maximum pressure rating of tools accessories could cause an explosion resulting in serious injury.

HOW TO PREVENT IT

- Never operate tools near flammable substances such as gasoline, naptha, cleaning solvents, etc.
- Work in a clean, well ventilated area free of combustible materials.
- Never use oxygen, carbon dioxide or other bottled gases as a power source for air tools.
- Use compressed air regulated to a maximum pressure at or below the rated pressure of any attachments.



⚠ WARNING: RISK TO BREATHING (ASPHYXIATION)

WHAT CAN HAPPEN

- Abrasive tools, such as grinders, sanders, and cut-off tools generate dust and abrasive materials which can be harmful to human lungs and respiratory system.
- Some materials such as adhesives and tar contain chemicals whose vapors could cause serious injury with prolonged exposure.

HOW TO PREVENT IT

- Always wear MSHA/NIOSH approved, properly fitting face mask or respirator when using such tools.
- Always work in a clean, dry, well ventilated area.



⚠ CAUTION: RISK FROM NOISE

WHAT CAN HAPPEN

- Long term exposure to noise produced from the operation of air tools can lead to permanent hearing loss.

HOW TO PREVENT IT

- Always wear **ANSI (S3.19)** hearing protection.



⚠ WARNING: RISK OF INJURY

WHAT CAN HAPPEN

- Tools left unattended, or with the air hose attached can be activated by unauthorized persons leading to their injury or injury to others.
- Air tools can propel loose objects or other materials throughout the work area.
- Air tools can become activated by accident during maintenance or tool changes.
- A wrench or a key that is left attached to a rotating part of the tool increases the risk of personal injury.

HOW TO PREVENT IT

- Remove air hose when tool is not in use and store tool in a secure location away from reach of children and/or untrained users.
- Use only parts, fasteners, and accessories recommended by the manufacturer.
- Keep work area clean and free of clutter. Keep children and others away from work area during operation of the tool.
- Keep work area well lit.
- Remove air hose to lubricate, add, or replace sockets.
- Never carry the tool by the hose.
- Avoid unintentional starting. Don't carry hooked-up tool with finger on trigger.
- Repair service should be done only by an authorized service representative.
- Remove adjusting keys and wrench before turning the tool on.

WHAT CAN HAPPEN

- Using inflator nozzles for duster applications can cause serious injury.
- Air tools can cause the work piece to move upon contact leading to injury.
- Loss of control of the tool can lead to injury to self or others
- Poor quality, improper, or damaged tools such as grinding wheels, chisels, sockets, drill, etc., can fly apart during operation, propelling particles throughout the work area causing serious injury.

HOW TO PREVENT IT

- DO NOT use inflator nozzles for duster applications.
- Use clamps or other devices to prevent movement.
- Never operate tool while under the influence of drugs or alcohol.
- Don't overreach. Keep proper footing and balance at all times.
- Keep handles dry, clean, and free from oil and grease.
- Stay alert. Watch what you are doing. Use common sense. Do not operate tool when you are tired.
- Always use tool attachments rated for the speed of the power tool.
- Never use tools which have been dropped, impacted or damaged by use.
- Use only impact grade sockets on an impact wrench.
- Do not apply excessive force to the tool – let the tool perform the work.



⚠ WARNING: RISK OF INJURY (CONTINUED)

WHAT CAN HAPPEN

- Improperly maintained tool and accessories can cause serious injury.
- There is a risk of bursting if the tool is damaged.
- Fasteners could ricochet or be propelled causing serious injury or property damage.

HOW TO PREVENT IT

- Maintain the tool with care.
- Check for misalignment or binding of moving parts, breakage of parts, and any other condition that affects the tool's operation. If damaged, have the tool serviced before using.
- Never point discharge of tool at self or others.
- Do not pull trigger unless tool contact safety device is against work surface.
- Never attempt to drive fasteners into hard surfaces such as steel, concrete, or tile.
- Take care to avoid driving a fastener on top of another fastener.
- Position tool carefully so that fasteners will be delivered to the proper location.



⚠ WARNING: RISK OF ELETRIC SHOCK

WHAT CAN HAPPEN

- This tool is not provided with an insulated gripping surface. Contact with a "live" wire will also make exposed metal parts of the tool "live" and can result in electrocution or death.

HOW TO PREVENT IT

- Avoid body contact with grounded surfaces such as pipes, radiators, ranges, and refrigerators. There is an increased risk of electric shock if your body is grounded.
- Thoroughly investigate the workpiece for possible hidden wiring before performing work.



⚠ **WARNING: RISK FROM FLYING OBJECTS**

WHAT CAN HAPPEN

- Air powered equipment and power tools are capable of propelling materials such as metal chips, saw dust, and other debris at high speed, which could result in serious eye injury.
- Compressed air can be hazardous. The air stream can cause injury to soft tissue areas such as eyes, ears, etc. Particles or objects propelled by the stream can cause injury.
- Tool attachments can become loose or break and fly apart propelling particles at the operator and others in the work area.

HOW TO PREVENT IT

- Always wear **ANSI Z87.1 CAN/CSA Z94.3** approved safety glasses with side shields.
- Never leave operating tool unattended. Disconnect air hose when tool is not in use.
- For additional protection use an approved face shield in addition to safety glasses.
- Make sure that any attachments are securely assembled.



⚠ **WARNING: RISK OF CUT OR BURNS**

WHAT CAN HAPPEN

- Tools which cut, shear, drill, punch, chisel, etc., are capable of causing serious injury.

HOW TO PREVENT IT

- Keep the working part of the tool away from hands and body.



⚠ **WARNING: RISK OF ENTANGLEMENT**

WHAT CAN HAPPEN

- Tools which contain moving elements, or drive other moving tools such as grinding wheels, sockets, sanding discs, etc., can become entangled in hair, clothing, jewelry and other loose objects, resulting in severe injury.

HOW TO PREVENT IT

- Never wear loose fitting clothes, or apparel which contains loose straps or ties, etc., which could become entangled in moving parts of the tool.
- Remove any jewelry, watches, identifications, bracelets, necklaces, etc., which might become caught by the tool.
- Keep hands away from moving parts. Tie up or cover long hair.
- Always wear proper fitting clothing and other safety equipment when using this tool.

▲ WARNING: AIR SUPPLY AND CONNECTIONS

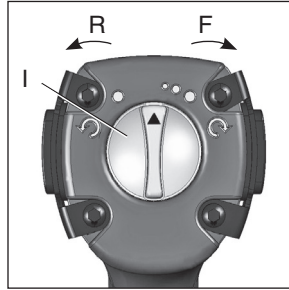
- *Do not use oxygen, combustible gases, or bottled gases as a power source for this tool as the tool may explode, possibly causing injury.*
- *Do not use supply sources which can potentially exceed 200 PSI (13.8 bar) as tool may burst, possibly causing injury.*
- *The connector on the tool must not hold pressure when air supply is disconnected. If a wrong fitting is used, the tool can remain charged with air after disconnecting and thus will be able to after the air line is disconnected possibly causing injury.*
- *Always disconnect air supply:*
 - 1) *Before making adjustments;*
 - 2) *When servicing the tool;*
 - 3) *When tool is not in use;*
 - 4) *When moving to a different work area, as accidental actuation may occur, possibly causing injury.*

**SAVE THESE INSTRUCTIONS
FOR FUTURE USE**

FEATURES

ADJUSTABLE POWER DIAL

The **dial (I)** controls the direction for driving or removing fasteners, respectively. Point the dial to the left for reverse, and to the right for forward. The **dial** also controls the three torque speed settings. The torque increases with larger circle settings.

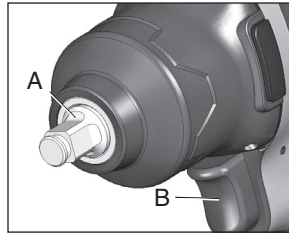


SQUARE DRIVE

The **3/8" square drive (A)** allows attachment of sockets with a 3/8" square drive.

TRIGGER

The **trigger (B)** allows the operator to control the start and stop of the air tool.



COMPOSITE BODY

The body of the air tool is a **high-impact composite design (F)** for reduced weight and superior power-to-weight ratio. The composite body reduces fatigue and provides insulation from cold air passing through the handle.

TWIN HAMMER MECHANISM

This air tool contains a **twin hammer mechanism** which provides more durability and a longer tool life.

HANDLE

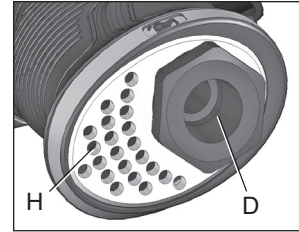
This air tool has an **ergonomic grip (C)** made of molded thermoplastic elastomer (TPE) design for improved comfort, slippage reduction, and better tool control.

EXHAUST

The **exhaust (H)** is located at the base of the handle and allows the exhaust to be directed away from the operator and working area.

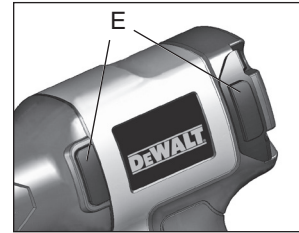
AIR INLET

The tool's **air inlet (D)** located at the bottom of the handle is used for connecting an air supply with a standard 1/4" NPT American thread.



SHOCK RESISTANT HOUSING BUMPERS

The **shock resistant housing bumpers (E)** provide protection against housing cracks from accidental drops of the air tool.



INSTALLATION

Air Supply

The recommended hook-up is shown in **Figure A**. Pneumatic tools operate on a wide range of air pressures. For maximum efficiency and longer tool life, the pressure of the air supplied to these tools **MUST** not exceed the rated PSI at the tool when the tool is running. Using a higher than rated pressure will cause faster wear and drastically shorten the tool's life. A higher air pressure can also cause an unsafe condition and explosion.

The inside diameter of the hose should be increased to compensate for unusually long air hoses (over 25 feet). Minimum hose diameter should be 3/8" I.D. and fittings should have 1/4" NPT thread.

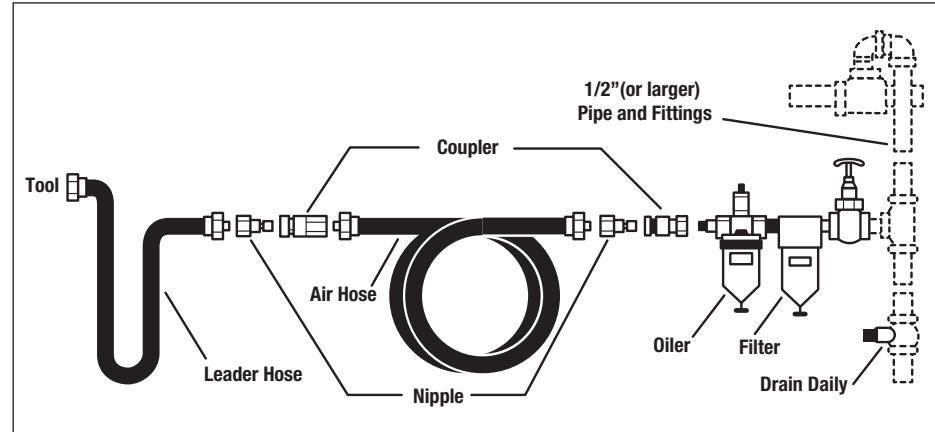
The use of air line lubricators and air line filters is recommended to prevent water in the line that can damage the tool. Drain the air tank daily. Clean the air inlet filter screen on at least a weekly schedule to remove accumulated dirt or other matter that can restrict air flow.

The tool's air inlet used for connecting an air supply has standard 1/4" NPT American thread.

Safety Rules For Pneumatic Tools

- 1) Inspect the air hose for cracks or other problems. Replace the hose if worn.
- 2) Never point an air hose at another person.
- 3) Disconnect the tool when not in use, or before performing service or changing accessories.
- 4) Use proper hoses and fittings. Never use quick change couplings attached to the tool. Instead, add a hose and coupling between the tool and the air supply.

Figure A



PREPARATION FOR USE

Proper Use Of The Tool

Your new 3/8" Drive Impact Wrench is designed for driving, tightening and loosening threaded fasteners, usually nuts and bolts, when fitted with a suitable impact socket. Always use impact-rated extension bars, universal joints and socket adapters between the square output drive of the impact wrench and the female square drive of the socket. Do not use the tool for any other purpose than that specified without consulting the manufacturer or the manufacturer's authorized supplier. To do so may be dangerous.

Never use the impact wrench as a hammer to dislodge or straighten cross threaded fasteners. Never attempt to modify the tool for other uses.

Work Stations

Your impact wrench should only be used as a hand operated tool. It is always recommended that the tool is used when standing with solid footing. It can be used in other positions but before any such use, the operator must be in a secure position having a firm grip and footing and be aware that when loosening fasteners the tool can move quite quickly away from the fastener being undone. An allowance must always be made for this rearward movement so as to avoid the possibility of hand/arm/body entrapment.

Putting Into Service

Air Supply

▲ CAUTION: *This air tool requires lubrication **BEFORE** initial use, also before and after each additional use.*

▲ WARNING: *Use a clean lubricated air supply that will give a measured air pressure at the tool of 90 psi/6.2 bar when the tool is running with the trigger fully depressed.*

Use recommended hose size. It is recommended that the tool is connected to the air supply as shown in **figure A** on page 11. Do not connect the tool to the air line system without incorporating an

easy to reach and operate air shut off valve. The air supply should be lubricated. It is strongly recommended that an air filter, regulator, **lubricator (FRL)** is used as shown in **figure A** on page 11 as this will supply clean, lubricated air at the correct pressure to the tool. Details of such equipment can be obtained from your supplier. If such equipment is not used then the tool should be lubricated by shutting off the air supply to the tool and then depressurizing the line by pressing the trigger on the tool. Disconnect the air line and pour into the air inlet 1 teaspoon (5cc.) of a suitable pneumatic motor lubricating oil, preferably incorporating a rust inhibitor. Reconnect tool to air supply and run tool slowly for a few seconds to allow air to circulate the oil.

Lubricate tool daily if used frequently, or when it starts to slow or lose power.

Using An Impact Wrench

▲ WARNING:

- 1) Read all instructions before using this tool. All operators must be fully trained in its use and aware of these safety rules.
- 2) Do not exceed the maximum working air pressure of 90 psi/6.2 bar.
- 3) Use personal safety equipment.
- 4) Use only compressed air at the recommended conditions.
- 5) If the tool appears to malfunction, remove from use immediately and arrange for service and repair.
- 6) If the tool is used with a balancer or other support device, ensure that it is fixed securely.
- 7) Always keep hands away from the working attachment fitted to the tool.
- 8) The tool is not electrically insulated. Never use the tool if there is any chance of it coming into contact with live electricity.
- 9) When using the tool, always adopt a firm footing and/or position and grip the tool firmly to counteract any forces or reaction forces that may be generated while using the tool.

Using an Impact Wrench Continued

- 10) Use only genuine Dewalt spare parts or parts which perform equivalently. Do not make temporary or permanent repairs with unauthorized parts.
- 11) Do not lock, tape, wire, etc., the on/off trigger in the run position. The trigger must always be free to return to the “off” position when it is released.
- 12) Always shut off the air supply to the tool and depress the trigger to release air from the feed hose before fitting, adjusting or removing the working attachment.
- 13) Check hoses and fittings regularly for wear. Replace if necessary. Do not carry the tool by its hose. Ensure the hand is removed from the on/off trigger when carrying the tool with the air supply connected.
- 14) Take care against entanglement of moving tool parts with clothing, ties, hair, cleaning rags, etc. This will cause the body to be drawn towards the tool and can be very dangerous.
- 15) Safe working practices and observe all relevant legal requirements when installing, using or maintaining the tool.
- 16) Only install the tool when an easily accessible and easily operable on/off switch is incorporated in the air supply.
- 17) Take care that the tool exhaust air does not cause problems or blow onto another person.
- 18) Never lay a tool down unless the working attachment has stopped moving.
- 19) Always ensure that the forward/reverse switch is in the desired position before starting the tool.
- 20) Do not use sockets with excessive wear to the input or output drives. Periodically check the square drive on the impact wrench. Make sure the socket, extension bar, or other attachment is securely fitted before operating tool.
- 21) When loosening fasteners first ensure that there is sufficient clearance behind the tool to avoid hand entrapment. The tool will move away from the threaded joint as the nut/bolt is loosened and rides up the thread, moving the tool with it.

PRE-START CHECKLIST

- Drain water from air compressor tank and condensation from air lines. (Please refer to air compressor’s operation manual.)
- Lubricate the tool. (Please refer to the “Maintenance” section in the manual.)
- Select the necessary impact sockets. The sockets have to match with the size of the drive on the air impact wrench.
- Connect air impact wrench to air source with the hose of recommended size.

▲ WARNING: Risk of unsafe operation. Firmly grasp air hose with hand when installing or disconnecting to prevent hose whip.

▲ WARNING: Risk of bursting. Too much air pressure causes a hazardous risk of bursting. Check the manufacturer’s maximum pressure rating for air tools and accessories. The regulator output pressure must never exceed the maximum pressure rating.

OPERATING PROCEDURES START-UP (FIG. 1, PG. 2)

- Turn on the air compressor and allow the air tank to be filled.
- Set the air compressor regulator to 90 PSI. This air tool operates at a maximum of 90 PSI air pressure.
- Adjust power dial (if it is available) to desired torque.
- Adjust tool either in forward or reverse position. Turn the dial all the way to the left for reverse direction or right for forward direction.
- Depress the trigger to start operating the tool.

SHUT-DOWN (FIG. 1, PG. 2)

- Release the trigger in order to stop the tool.
- When changing sockets, always disconnect air supply to avoid injury.
- When job is completed, turn off the air compressor and store the air tool after lubrication.

OPERATING INSTRUCTIONS

- Securely fit the socket or attachment to the impact wrench.
- Ensure that the forward/reverse switch is in the correct position for tightening or loosening the fastener.
- The nut/bolt can then run down the thread using the power drive of the tool. For loosening a joint the tool can be used in the reverse sequence.

MAINTENANCE

Lubrication

Air tools require lubrication throughout the lifetime of the tools. The air motor and bearing uses compressed air to power the tool. The compressed air contains moisture that will rust the air motor and other parts in side of the tools, therefore lubrication is required daily. Failure to lubricate the air tool properly will dramatically shorten the life of the tool and will void the warranty

▲ CAUTION: *This air tool requires lubrication **BEFORE** initial use, also before and after each additional use.*

To Lubricate The Air Tool Manually:

1. Remove any attachment on the drive of air tools, such as: sockets, chisels and etc.
2. Disconnect the tool from the air supply source, place the air inlet face up.
3. Depress the trigger and place about 1 teaspoon (5cc.) of air tool oil into the air inlet. (Depressing the trigger will help circulate oil in the motor.)

NOTE: Use SAE #10 weight oil if air tool oil is not available.

4. Connect the tool to an air source, cover the exhaust end with a towel and run for about 20 to 30 seconds.

▲ WARNING: *Keep out of the reach of children. If taken internally, do not induce vomiting, call a doctor immediately.*

▲ WARNING: *Any excess oil in the motor is immediately expelled from the exhaust port. Always direct exhaust port away from people or objects.*

Storage:

The air tool must be lubricated before storing. Follow the "Lubrication" instruction with exception of step 4.

SERVICE INFORMATION

Please have the following information available for all service calls:
Model Number _____
Date and Place of Purchase _____

FULL THREE YEARS WARRANTY

DEWALT heavy duty industrial tools are warranted for 3 years from date of purchase. We will repair, without charge, any defects due to faulty materials or workmanship. For warranty repair information, call **1-800-4-DEWALT**. This warranty does not apply to accessories or damage caused where repairs have been made or attempted by others. This warranty gives you specific legal rights and you may have other rights which vary in certain states or provinces.

Latin America: This warranty does not apply to products sold in Latin America. For products sold in Latin America, see country specific warranty information contained either in the packaging, call the local company or see website for warranty information.

FREE WARNING LABEL REPLACEMENT: If your warning labels become illegible or are missing, call **1-800-4-DEWALT** for a free replacement.



⚠️ CAUTION
SEE OWNER'S MANUAL FOR PROPER USE.

⚠️ ATENCIÓN
LEA EL MANUAL DEL USUARIO PARA CONOCER LOS PROCEDIMIENTOS DE USO CORRECTO.

⚠️ ATTENTION
CONSULTE LE MANUEL DE L'UTILISATEUR POUR CONNAÎTRE LES PROCÉDURES D'USAGE.

⚠️ WARNING
FALLS CAN CAUSE SERIOUS INJURIES. DO NOT STEP ON STRAND ON THIS AREA.

⚠️ ADVERTENCIA
LAS CAÍDAS PUEDEN CAUSAR LESIONES GRAVES. NO PISAR NI PARARSE EN ESTA ÁREA.

⚠️ AVERTISSEMENT
LES CHUTES PEUVENT CAUSER DE GRAVES BLESSURES. NE MARCHÉZ PAS ET NE VOUS TENEZ PAS SUR CET EMPLACEMENT.

⚠️ WARNING DRAIN TANK DAILY OR AFTER EACH USE. CONDENSATION BUILD-UP MAY CAUSE CORROSION INSIDE TANK RESULTING IN TANK FAILURE. SEE MANUAL FOR INSPECTION PROCEDURES. TO DRAIN TANK OPEN VALVE SLOWLY AND TILT COMPRESSOR TO EMPTY ACCUMULATED WATER.

⚠️ ADVERTENCIA DRENE EL TANQUE A DIARIO O DESPUÉS DE CADA USO. LA ACUMULACIÓN DE CONDENSACIÓN PUEDE OCASIONAR CORROSIÓN DENTRO DEL TANQUE Y PROVOCAR FALLA DEL TANQUE. CONSULTE EL MANUAL PARA CONOCER LOS PROCEDIMIENTOS DE INSPECCIÓN. PARA DRENAR EL TANQUE, ABRA LA VÁLVULA LENTAMENTE E INCLINE EL COMPRESOR PARA ELIMINAR EL AGUA ACUMULADA.

⚠️ AVERTISSEMENT RÉSERVOIR DE VIDANGE QUOTIDIEN OU APRÈS CHAQUE UTILISATION. L'ACCUMULATION DE CONDENSATION PEUT CAUSER LA CORROSION À L'INTÉRIEUR DU RÉSERVOIR AVANT POUVR
RESULTAT ÉCHEC DE RÉSERVOIR. VOIR LE MANUEL POUR DES PROCÉDURES D'INSPECTION. LA VÁLVUE OUVERTE DE RÉSERVOIR DE VIDANGE LENTEMENT ET AU COMPRESSEUR D'INCLINER À L'EAU ACCUMULÉE VIDE.



⚠️ CAUTION
HOLD HOSE FIRMLY TO PREVENT RESE WHIP.

⚠️ ATENCIÓN
SISTENLA LA MANGUERA FIRMEMENTE PARA EVITAR EL

⚠️ ATTENTION
BIEN TENIR LE TUYAU POUR ÉVITER UN A-COUP.

⚠️ WARNING INCORRECT USE CAN CAUSE HAZARDS. FOLLOW THESE INSTRUCTIONS: RISK OF BURSTING. MAKE SURE THE COMPRESSOR OUTLET PRESSURE IS SET LOWER THAN THE MAXIMUM OPERATING PRESSURE OF THE SPRAY GUN OR TOOL. BEFORE STARTING THE COMPRESSOR, PULL THE RING ON THE SAFETY VALVE TO MAKE SURE THE VALVE MOVES FREELY. DRAIN WATER FROM TANK AFTER EACH USE. RISK OF FIRE OR EXPLOSION. DO NOT SPRAY A FLAMMABLE OR COMBUSTIBLE LIQUID OR PAINT NEAR SPARKS, FLAMES, PILOT LIGHTS, OR IN A CONFINED AREA. THE SPRAY AREA MUST BE WELL VENTILATED. KEEP COMPRESSOR AT LEAST 20 FEET AWAY FROM SPRAY AREA. DO NOT CARRY AND OPERATE THE COMPRESSOR OR ANY OTHER ELECTRICAL DEVICE NEAR THE SPRAY AREA. NEVER SMOKE WHEN SPRAYING. USE A MINIMUM OF 25 FEET OF HOSE TO CONNECT A SPRAY GUN TO THE COMPRESSOR. RISK OF PERSONAL INJURY. WEAR ANSI Z87 SAFETY GLASSES. NEVER SPRAY COMPRESSED AIR OR MATERIAL AT SELF OR OTHERS. DO NOT USE COMPRESSED AIR FOR BREATHING. REGULATE PRESSURE TO ZERO BEFORE REMOVING HOSE. RISK OF ELECTRICAL SHOCK. HAZARDOUS VOLTAGE. UNPLUG UNIT BEFORE REMOVING COVER. DO NOT EXPOSE TO RAIN. STORE INDOORS. READ OWNER'S MANUAL FOR COMPLETE SAFETY, OPERATION, AND REPAIR INSTRUCTIONS.

⚠️ ADVERTENCIA EL USO INCORRECTO PUEDE CAUSAR PELIGROS. SIGUIA ESTAS INSTRUCCIONES: RIESGO DE ESTALLIDO. ASEGURESE QUE LA VÁLVULA DE SALIDA DEL COMPRESOR ESTE REGULADA POR DEBAJO DEL MÁXIMO DE LA PRESIÓN DE OPERACIÓN DE LA PISTOLA RODICADORA O HERRAMIENTA. ANTES DE ABRANCAR EL COMPRESOR, PULL DEL ANILLO DE LA VÁLVULA DE SEGURIDAD PARA ASEGURARSE QUE LA VÁLVULA SE MUEVE LIBREMENTE. DRENAR EL AGUA DEL TANQUE DESPUÉS DE CADA USO. RIESGO DE FUEGO O EXPLOSIÓN. NO ROCIAR LÍQUIDO NI PINTURAS INFLAMMABLES O COMBUSTIBLES CERCA DE CHISPAS, LLAMAS, LLAMAS DE PILOTO O EN ÁREAS CERRADAS. EL ÁREA DE TRABAJO DEBE ESTAR BIEN VENTILADA. MANTENER EL COMPRESOR AL MENOS 20 PIES DEL ÁREA DE SPRAY. NO LLEVAR NI OPERAR EL COMPRESOR NI DISPOSITIVO ELÉCTRICO ALGUNO CERCA DEL ÁREA DEL ROCIADO. NUNCA FUMAR EN EL ÁREA DEL ROCIADO. USAR UNA MANGUERA DE UN MÍNIMO DE 25 PIES PARA CONECTAR LA PISTOLA AL COMPRESOR. RIESGO DE DAÑOS PERSONALES. USAR GAFAS DE SEGURIDAD ANSI Z87. NUNCA FUMAR CERCA DEL CHORRO DE AIRE COMPRESADO O MATERIAL QUE SE ESTE ROCIANDO. A SU MISMA O A OTRAS PERSONAS. NO RESPIRAR EL AIRE COMPRESADO. REDUCIR LA PRESIÓN A CERO ANTES DE DESMONTAR LA MANGUERA. RIESGO DE CHOQUE ELÉCTRICO. ALTO VOLTAJE. DESCONECTAR LA UNIDAD ANTES DE QUITAR LA COBERTA. NO EXPOSER A LUVIA. ALMACENAR EN INTERIORES. LEER EL MANUAL DEL OPERADOR PARA INSTRUCCIONES COMPLETAS DE SEGURIDAD, OPERACIÓN Y REPARACIÓN.

⚠️ AVERTISSEMENT UNE UTILISATION INCORRECTE PEUT ÊTRE DANGEREUSE. SUIVRE LES INSTRUCTIONS CI-DESSOUS. RISQUE D'ÉCLATER. ASSUREZ-VOUS QUE LE RÉSERVOIR DE SORTIE DU COMPRESSEUR EST RÉGLÉ À UN NIVEAU INFÉRIEUR À LA PRESION D'UTILISATION MAXIMUM DU PISTOLET VAPORISATEUR OU DE L'ACCESSOIRE. AVANT DE DÉMARRER LE COMPRESSEUR, TIREZ L'ANNEAU DE LA VALVULE DE SURETE POUR VOUS ASSURER QUE ELLE FONCTIONNE LIBREMENT. VIDANGEZ L'EAU DU RESERVOIR À AIR APRÈS CHAQUE UTILISATION. RISQUE D'INCENDIE OU D'EXPLOSION. NE PAS VAPORISER UN LIQUIDE OU UNE PENTURE INFLAMMABLE OU COMBUSTIBLE PRÈS D'ÉTINCELLES, DE FLAMMES, DE VÉLÉLICES NI DANS UN ENDRIT RESTREINT NI RONGEUR. L'AIRE DE VAPORISATION NE DOIT ÊTRE BIEN AÉRÉE. GARDEZ LE COMPRESSEUR À AU MOINS 20 PIES DE LA SURFACE À VAPORISER. NE PORTEZ PAS LE COMPRESSEUR ET NE L'UTILISEZ PAS NI AUCUN AUTRE APPAREIL ÉLECTRIQUE À PROXIMITÉ DE L'AIRE DE VAPORISATION. NE FUMEZ JAMAIS QUAND VOUS VAPORISEZ. UTILISEZ UN FIL DE 25 PIEDS DE LONGUEUR ET 25 PIES POUR RELIER LE PISTOLET VAPORISATEUR AU COMPRESSEUR. RIESGO DE DAÑOS PERSONALES. PORTÉZ DES LUNETTES DE PROTECTION ANSI Z87. NE FUMEZ JAMAIS A AIR COMPRESÉ NI A DES MATÉRIAU VERS SOI OU VERS AUTRI. NE JAMAIS UTILISER DE AIR COMPRESÉ POUR LA RESPIRATION. RÉGULEZ LA PRESION À ZÉRO AVANT DE RETIRER LE ROUDEL. RIESGO DE CHOQUE ELÉCTRICO. VOLTAGE DANGEROUS. DESMONTÉZ LA MANGUERA AVANT D'ENLEVER BOITIER. N'EXPOSEZ PAS LE COMPRESSEUR À LA PLUIE. REMISEZ-LE À L'INTÉRIEUR. LISEZ LE MANUEL DE L'UTILISATEUR POUR DES INSTRUCTIONS COMPLÈTES CONCERNANT LA SÉCURITÉ, L'UTILISATION ET LES RÉPARATIONS.

GLOSSARY

CFM: Cubic feet per minute.

SCFM: Standard cubic feet per minute; a unit of measure of air delivery.

PSI: Pounds per square inch; a unit of measure of pressure.

Code Certification: Products that bear one or more of the following marks: **UL, CUL, ETL, CETL**, have been evaluated by OSHA certified independent safety laboratories and meet the applicable **Underwriters Laboratories Standards** for Safety.

RPM: Revolutions per minute; is a measure of the frequency of a rotation

BPM: Beats per minute.

NPT: National pipe thread (tapered thread); is a U.S. standard for tapered threads used on threaded pipes and fittings.

ID: Inner diameter

DWMT70775

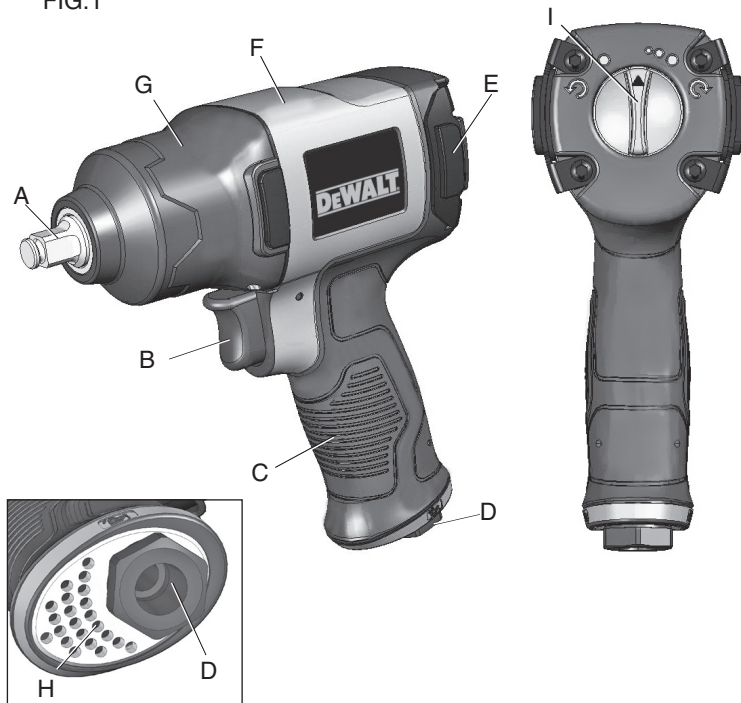
CLÉ À CHOCS 9,5 MM (3/8 PO)

- | | |
|--------------------------------------|---|
| A. Carré conducteur 12,7 mm (3/8 po) | F. Corps en composite |
| B. Gâchette | G. Mécanisme à double marteau |
| C. Poignée ergonomique | H. Échappement |
| D. Entrée d'air 6,4 mm (1/4 po) | I. Cadran de puissance réglable Avant/arrière |
| E. Coussinets antichoc pour boîtier | |

FICHE TECHNIQUE

MODÈLE	DWMT70775
CARRÉ CONDUCTEUR	3/8"
TYPE D'EMBRAYAGE	Double percussion
COUPLE MAXIMAL (INVERSION)	405 Nm (300 pi-lb)
VITESSE À VIDE (À 620 KPA (90 PSI))	11 000 tr/min
COUPS PAR MINUTE	1200 CPM
POIDS NET	1,3 kg (2,8 lb)
TYPE D'ÉCHAPPEMENT	Poignée
CONSOMMATION MOYENNE D'AIR (À 620 KPA (90 PSI))	16 l/s (33,5 pieds cubes standard par minute) 2,3 l/s (4,5 pieds cubes standard par minute)
CONSOMMATION MOYENNE D'AIR EN CHARGE (À 620 KPA (90 PSI))	12 l/s (24,7 pieds cubes standard par minute) 1,7 l/s (3,5 pieds cubes standard par minute)
DIMENSION DE L'ENTRÉE D'AIR	Filetage conique (F) 6,35 mm (1/4 po)

FIG.1



DIMENSION DE L'ENTRÉE D'AIR	Filetage conique (F) 6,35 mm (1/4 po)
DIMENSION RECOMMANDÉE DU TUYAU	10 mm (3/8 po)
PRESSION D'AIR MAXIMALE	90 PSI

Définitions : lignes directrices en matière de sécurité

Les définitions ci-dessous décrivent le niveau de gravité pour chaque symbole. Veuillez lire le mode d'emploi et porter une attention particulière à ces symboles.

▲DANGER : Indique une situation dangereuse imminente qui, si elle n'est pas évitée, **causera la mort ou des blessures graves.**

▲AVERTISSEMENT : Indique une situation potentiellement dangereuse qui, si elle n'est pas évitée, **pourrait** se solder par un **décès ou des blessures graves.**

▲ATTENTION : Indique une situation potentiellement dangereuse qui, si elle n'est pas évitée **pourrait** se solder par **des blessures mineures ou modérées.**

ATTENTION : Utilisé sans le symbole d'alerte à la sécurité, indique une situation potentiellement dangereuse qui, si elle n'est pas évitée **pourrait** se solder **par des dommages à la propriété.**

POUR TOUTES QUESTIONS OU COMMENTAIRES RELATIFS(ES) À L'OUTIL OU À PROPOS DE TOUT AUTRE OUTIL DeWALT, COMPOSER SANS FRAIS LE : 1-800-4-DeWALT (1-800-433-9258)

DIRECTIVES DE SÉCURITÉ IMPORTANTES

▲AVERTISSEMENT : Certaines poussières produites par les travaux de ponçage, sciage, meulage, perçage et autres peuvent contenir des produits chimiques pouvant selon l'état de Californie causer le cancer, des anomalies congénitales ou d'autres problèmes liés aux fonctions reproductrices. Voici quelques exemples de ces produits chimiques :

- le plomb contenu dans les peintures à base de plomb;
- la silice cristalline provenant de la brique, du ciment et d'autres produits de maçonnerie;
- l'arsenic et chrome provenant de bois traité chimiquement.

Les risques reliés à l'exposition à ces poussières varient selon la fréquence à laquelle l'utilisateur travaille avec ce type de matériaux. Pour réduire votre exposition à ces produits chimiques : travailler dans un endroit bien ventilé et porter un équipement de sécurité approuvé par l'OSHA/MSHA/NIOSH comme un masque anti-poussières spécialement adapté ou un respirateur lors de l'utilisation de ces outils.

Lors de l'utilisation d'outils pneumatiques, des précautions de base en matière de sécurité doivent être suivies afin de réduire le risque de blessure personnelle.

▲AVERTISSEMENT : ce produit contient des produits chimiques, notamment le plomb, reconnu par l'État de Californie comme étant cancérigènes et pouvant entraîner des anomalies congénitales et d'autres dangers relatifs à la reproduction. Se laver les mains après toute manipulation.

CONSERVER CES INSTRUCTIONS

▲AVERTISSEMENT :



la mauvaise utilisation ou maintenance de ce produit peut causer des blessures graves Et des dommages sérieux aux biens. Il faut lire et comprendre tous les avertissements et la Notice d'emploi avant d'utiliser cet équipement. Lorsque vous utilisez des outils pneumatiques, il faut respecter les mesures de sécurité fondamentales pour réduire le Risque de blessures.

▲ AVERTISSEMENT :

I faut lire et comprendre ce guide d'instructions et les étiquettes de l'outil avant d'installer, d'utiliser cet outil ou d'en faire l'entretien.



Gardez ces instructions dans un lieu sûr à portée de la main. oivent porter des lunettes de sécurité avec écrans latéraux approuvées **ANSI Z87.1 CAN/CSA Z94.3**.



Les utilisateurs et les gens dans la zone de travail doivent porter une protection auditive.



Graissez tous les jours pour un rendement optimal.

▲ AVERTISSEMENT :

- Évitez l'utilisation prolongée : le mouvement répétitif ou l'exposition aux vibrations peuvent être nocifs pour vos mains ou vos bras. Utiliser des gants pour offrir un maximum de protection, prendre des pauses fréquentes et limiter le temps d'utilisation quotidien.
- N'utilisez pas de gaz oxygène ou réactif; une explosion peut survenir.
- Ne pas excéder une pression d'air de 90 psi.
- Il faut lire attentivement tous les livrets inclus avec ce produit. Il faut bien se familiariser avec les commandes et l'emploi correct de l'équipement.
- Seules les personnes qui connaissent bien ces règles de sécurité devraient utiliser l'outil pneumatique.
- Il ne faut pas excéder la pression limite des composantes du système.
- Débrancher l'outil pneumatique de l'arrivée d'air avant de changer les outils ou les accessoires et lorsqu'il n'est pas utilisé.
- Il faut toujours porter des lunettes de protection et une protection auditive durant l'emploi. Il faut toujours porter des lunettes de protection avec écrans latéraux. Il faut toujours porter une protection auditive.

- Il ne faut jamais porter des vêtements amples ou un habillement comportant des attaches ou bretelles lâches, etc. qui pourraient être happées par les pièces mobiles de l'outil et causer des blessures graves.
- Il ne faut pas porter de bijou, montre, identification, bracelet, collier, etc. lorsque vous utilisez l'outil, car ils pourraient être happés par les pièces mobiles de l'outil et causer des blessures graves.
- Il ne faut pas abaisser la gâchette lorsque vous raccordez l'outil au boyau d'air d'arrivée.
- Toujours utiliser un accessoire conçu pour les outils percuteurs pneumatique.
- Il ne faut jamais utiliser des accessoires endommagés ou usés.

▲ AVERTISSEMENT :

IL NE FAUT JAMAIS utiliser les douilles des outils à main.

▲ AVERTISSEMENT :

- Il ne faut jamais déclencher l'outil lorsqu'il n'est pas appliqué contre un objet. Les accessoires doivent être bien ancrés. Les accessoires lâches peuvent causer des blessures graves.
- Protégez les conduits d'air des dommages et des perforations.
- Il ne faut jamais pointer l'outil pneumatique vers soi ou autrui. Des blessures graves peuvent survenir.
- Vérifiez les boyaux d'air en cas d'usure ou de détérioration avant chaque emploi. S'assurer que tous les raccords sont bien branchés.
- S'assurer que les boulons, écrous et vis sont bien serrés et que l'équipement est en bon état.
- Ne jamais placer ses mains près d'une pièce mobile ou en dessous.



▲ AVERTISSEMENT : RISQUE D'EXPLOSION OU D'INCENDIE

Ce qui peut se produire

- Les outils abrasifs comme les sableuses et les meules, les outils rotatifs comme les perceuses et les outils à choc comme les clés, les marteaux et les scies à action réciproque peuvent produire des étincelles qui pourraient allumer des produits inflammables.
- Excéder la pression limite des outils ou des accessoires pourrait provoquer une explosion et causer des blessures graves.

Comment l'Éviter

- Ne jamais utiliser les outils près des substances inflammables, comme l'essence, le naphte, les solvants de dégraissage, etc.
- Travailler dans une zone de travail bien ventilée et propre, exempte de matériaux combustibles.
- Ne jamais utiliser de gaz oxygène, de dioxyde de carbone ou autres gaz en bouteille comme source d'énergie pour les outils pneumatiques.
- Utiliser de l'air comprimé réglé à une pression maximale près ou au-dessous de la pression nominale des accessoires.



▲ DANGER : RISQUE RESPIRATOIRE (ASPHYXIE)

CE QUI PEUT SE PRODUIRE

- Les outils abrasifs comme les sableuses et les meules et les outils à tronçonner produisent de la poussière et de matériaux abrasifs qui peuvent être nocifs pour les poumons et le système respiratoire.
- Certains matériaux, comme les adhésifs et le goudron, contiennent des produits chimiques qui peuvent causer des blessures graves à l'exposition prolongée.

COMMENT L'ÉVITER

- Toujours porter un masque facial bien ajusté ou un respirateur homologué **MSHA/NIOSH** lorsque vous utilisez ces outils.
- Toujours travailler dans une zone de travail bien ventilée et propre.



▲ ATTENTION : RISQUE DE PERTE D'OUÏE

QUE FAIRE

- Une exposition prolongée au bruit produit par le fonctionnement des outils pneumatiques peut causer une perte auditive permanente.

COMMENT PRÉVENIR

- Toujours porter une protection auditive **ANSI (S3.19)**.



▲ AVERTISSEMENT : RISQUE DE PERTED'OUÏE

QUE FAIRE

- Les outils laissés sans surveillance ou dont le boyau d'air est branché peuvent être activés par des personnes non autorisées qui peuvent se blesser ou blesser autrui.
- Les outils pneumatiques peuvent projeter les objets non fixés et autres matériaux dans toutes les directions de la zone de travail.
- Les outils pneumatiques peuvent être actionnés accidentellement lors d'un entretien ou d'un changement d'outil.
- Le fait de laisser une clé de réglage ou une clé fixée sur une pièce tournante augmente le risque de blessures.

COMMENT PRÉVENIR

- Retirer le tuyau d'air lorsque l'outil n'est pas utilisé et ranger l'outil dans un endroit sûr hors de portée des enfants et des utilisateurs n'ayant pas reçu la formation requise.
- Utiliser uniquement les pièces, les fixations et les accessoires recommandés par le fabricant.
- Conserver la zone de travail propre et en bon ordre. Eloigner les enfants et autrui de la zone de travail durant l'utilisation de l'outil.
- Conserver les lieux bien illuminés.
- Retirer le tuyau d'air pour lubrifier, ajouter ou remplacer des douilles.
- Ne jamais transporter l'outil par le boyau.
- Évitez les démarrages non intentionnels. Ne transportez pas l'outil branché avec le doigt sur la gâchette.
- Les réparations doivent être effectuées seulement par un représentant de service autorisé.
- Retirer toutes les clés de réglage et les clés avant de mettre l'outil en marche.

QUE FAIRE

- Utiliser des buses gonflantes pour l'époussetage peut causer des blessures graves.
- Les outils électriques peuvent provoquer le déplacement de la pièce de travail au contact et causer des blessures.
- La perte de contrôle de l'outil peut causer des blessures à soi-même et à autrui.
- Des outils de mauvaise qualité, inappropriés ou endommagés tels que les meules, les ciseaux, les douilles, les perceuses, etc., peuvent voler en morceaux lors du fonctionnement, projetant des particules dans toutes les directions de la zone de travail et causer des blessures graves.

COMMENT PRÉVENIR

- **NE PAS** utiliser de buses gonflantes pour l'époussetage.
- Utiliser des pinces ou autres dispositifs pour empêcher le mouvement.
- Ne jamais utiliser l'outil sous l'influence d'alcool ou de drogues.
- Il ne faut pas tendre l'outil trop loin. Gardez l'équilibre en tout temps.
- Gardez les mains propres, sèches et exemptés de graisse et d'huile.
- Restez alerte. Portez attention à ce que vous faites. Servez-vous de votre bon sens. Il ne faut pas utiliser l'outil lorsque vous êtes fatigué.
- Toujours utiliser les accessoires cotés pour la vitesse de l'outil électrique.
- Ne jamais utiliser des outils que vous avez échappés, impactés ou endommagés par l'usage.
- Utiliser uniquement des douilles pour clés à chocs avec la clé à chocs.
- Ne pas exercer de force excessive sur l'outil – laisser l'outil effectuer le travail.



⚠️ AVERTISSEMENT: RISQUE DE BLESSURE (SUITE)

QUE FAIRE

- Les outils et les accessoires qui ne sont pas entretenus correctement peuvent causer des blessures graves.
- L'outil risque de voler en morceaux s'il est endommagé.
- Les attaches peuvent rebondir ou être projetées et causer des blessures graves et des dommages importants.

COMMENT PRÉVENIR

- Entretenir les outils de façon minutieuse.
- Keep a cutting tool sharp and clean. A properly maintained tool, with sharp cutting edges reduces the risk of binding and is easier to control.
- Vérifier l'alignement et la torsion des pièces mobiles, la présence de pièces brisées ou de toute autre condition pouvant nuire au fonctionnement de l'outil. Faire réparer l'outil s'il est endommagé avant de l'utiliser.
- Ne jamais pointer l'éjecteur de l'outil vers vous ou vers quelqu'un d'autre.
- Ne pas appuyer sur la gâchette avant que le dispositif de sécurité de l'outil ne soit en contact avec la pièce de travail.
- Ne jamais tenter d'enfoncer des attaches dans des surfaces dures telles que l'acier, le béton ou les carreaux.
- Prendre soin de ne pas enfoncer une attache pardessus une autre attache.
- Positionner l'outil avec soin afin de poser les attaches aux bons endroits.



⚠️ AVERTISSEMENT: RISQUE D'ÉLECTROCUTION

QUE FAIRE

- Cet outil ne comporte pas de surface de prise isolée. Le contact avec un fil « sous tension » mettra les surfaces métalliques de l'outil aussi « sous tension », ce qui peut causer une électrocution ou la mort.

COMMENT PRÉVENIR

- Éviter tout contact corporel avec les surfaces mises à la terre telles que les tuyaux, radiateurs, cuisinières et réfrigérateurs. Le risque d'électrocution est plus grand si votre corps est mis à la terre.
- Inspecter minutieusement la pièce de travail afin de détecter tout câblage dissimulé avant d'exécuter le travail.



**▲ AVERTISSEMENT : RISQUE DE BLESSURE
À LA TÊTE OU AUX YEUX**

QUE FAIRE

- L'équipement pneumatique et les outils électriques peuvent propulser des matériaux, comme les copeaux de métal, le bran de scie et autres débris, à haute vitesse, ce qui pourrait causer des blessures graves.
- L'air comprimé peut être dangereux. Le courant d'air peut causer des lésions aux tissus mous, comme les yeux, les oreilles, etc. Les particules ou objets propulsés par le courant d'air peuvent causer des blessures.
- Les accessoires des outils peuvent devenir lâches ou briser et se dégager en propulsant des particules en direction de l'utilisateur ou des autres personnes dans la zone de travail.

COMMENT PRÉVENIR

- Toujours porter des lunettes de sécurité avec écrans latéraux approuvées **ANSI Z87.1 CAN/CSA Z94.3**.
- Ne jamais laisser l'outil sans surveillance. Débrancher le boyau d'air lorsque l'outil n'est pas utilisé.
- Pour plus de protection, utiliser un masque facial approuvé en plus des lunettes de protection.
- S'assurer que tous les accessoires sont fixés solidement.



**▲ AVERTISSEMENT : RISQUE DE
COUPURES OU DE BRÛLURES**

QUE FAIRE

- Les outils qui coupent, cisailent, percent, poinçonnent, cisèlent, etc. peuvent causer des blessures graves.

COMMENT PRÉVENIR

- Éloigner la pièce mobile de l'outil des mains et du corps.



▲ AVERTISSEMENT : RISQUE D'EMMÊLEMENT

QUE FAIRE

- Les outils qui contiennent des éléments mobiles ou entraînent d'autres outils mobiles, comme les disques de meulage, les douilles, les meules, etc. peuvent s'emmêler avec les cheveux, les vêtements, les bijoux et les objets lâches, et causer des blessures graves.

COMMENT PRÉVENIR

- Ne jamais porter de vêtements amples ou d'habillement comprenant des attaches ou des bretelles lâches, etc. qui pourraient s'emmêler dans les pièces mobiles de l'outil.
- Enlever les bijoux, montres, identifications, bracelets, colliers, etc. pouvant être happés par l'outil.
- Garder les mains éloignées des pièces mobiles. Attacher ou couvrir les cheveux longs.
- Portez toujours des vêtements bien ajustés et les appareils de protection appropriés lorsque vous utilisez l'outil.

▲AVERTISSEMENT : ARRIVÉE D'AIR ET RACCORDS

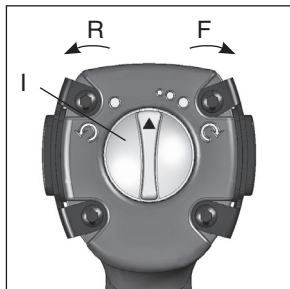
- N'utilisez jamais de gaz oxygène, de gaz combustible ou autres gaz en bouteille comme source d'énergie pour cet outil, car l'outil peut exploser et possiblement causer des blessures.
- Ne pas utiliser de sources d'alimentation qui peuvent dépasser 13,8 bars (200 psi), car les outils peuvent voler en morceaux et causer des blessures.
- Le raccord ne doit pas maintenir une pression lorsque l'arrivée d'air est débranchée. Si le mauvais raccord est utilisé, l'outil peut rester chargé d'air après l'avoir débranché; l'outil pourra fonctionner après que le conduit d'air est débranché et pourra causer des blessures.
- Toujours débrancher l'arrivée d'air :
 - 1) avant d'effectuer des ajustements;
 - 2) pour faire l'entretien de l'outil;
 - 3) lorsque l'outil n'est pas utilisé;
 - 4) pour le déplacer à une autre zone de travail, car l'outil peut être activé par accident et peut causer des blessures.

CONSERVER CES DIRECTIVES POUR UN USAGE ULTÉRIEUR

CARACTÉRISTIQUES

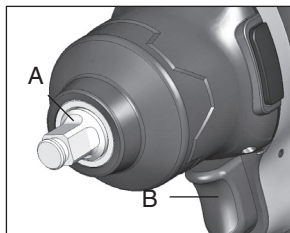
CADRAN DE PUISSANCE RÉGLABLE

Le **cadran (I)** permet de contrôler la direction entre Avant et Arrière permettant d'entraîner ou de retirer les attaches, respectivement. Pointer le cadran vers la gauche pour Arrière, et vers la droite pour Avant. Le cadran commande aussi les trois réglages du couple-vitesse. Le couple augmente lorsqu'un réglage de cercle plus grand est utilisé.



CARRÉ CONDUCTEUR

Le **carré conducteur (A)** de 9,5 mm (3/8 po) permet de fixer les douilles à l'aide de celui-ci.



GÂCHETTE

La **gâchette (B)** permet de contrôler la mise en marche et l'arrêt de l'outil pneumatique.

CORPS EN COMPOSITE

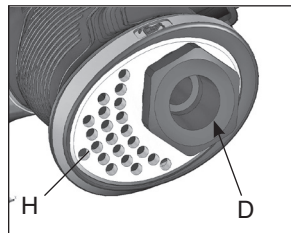
Le corps de l'outil pneumatique est un **corps en composite (F)** très résistant aux chocs afin d'en réduire le poids et d'obtenir un rapport puissance-poids supérieur. Le corps en composite réduit la fatigue et isole de l'air froid passant dans la poignée.

MÉCANISME À DOUBLE MARTEAU

Cet outil pneumatique est muni d'un mécanisme à double marteau pour plus de durabilité et une plus longue vie de l'outil.

POIGNÉE

Cet outil pneumatique comporte une **poignée ergonomique (C)** faite d'**élastomère thermoplastique (ETP)** moulé conçue pour plus de confort, moins de glissement et un meilleur contrôle de l'outil.

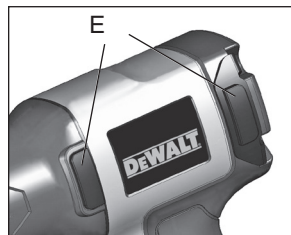


ÉCHAPPEMENT

L'**échappement (H)** est situé dans la base de la poignée et permet de diriger l'échappement loin de l'opérateur et de la zone de travail.

ENTRÉE D'AIR

L'**entrée d'air de l'outil (D)**, située tout en bas de la poignée, est utilisée pour raccorder l'alimentation en air ayant un filetage conique NPT classique de 6,4 mm (1/4 po).



COUSSINETS ANTICHOC POUR BOÎTIER

Les **coussinets antichoc pour boîtier (E)** empêchent le boîtier de se fissurer lorsque l'outil pneumatique tombe accidentellement.

INSTALLATION

Alimentation d'air

▲AVERTISSEMENT :

Le branchement recommandé est illustré dans la **figure A**. Les outils pneumatiques fonctionnent selon une grande plage de pression d'air. Pour une efficacité maximale et une longue vie de l'outil, la pression de l'air fourni à ces outils **NE DOIT PAS** dépasser la pression nominale de l'outil lorsque l'outil fonctionne. L'utilisation d'une pression plus élevée que la pression nominale peut provoquer

l'usure plus rapide de l'outil et en écourter la durée. Une pression d'air plus élevée peut aussi provoquer des conditions dangereuses et une explosion. Il faut augmenter le diamètre intérieur du boyau comme compensation lorsqu'il est très long (plus de 25 pieds).

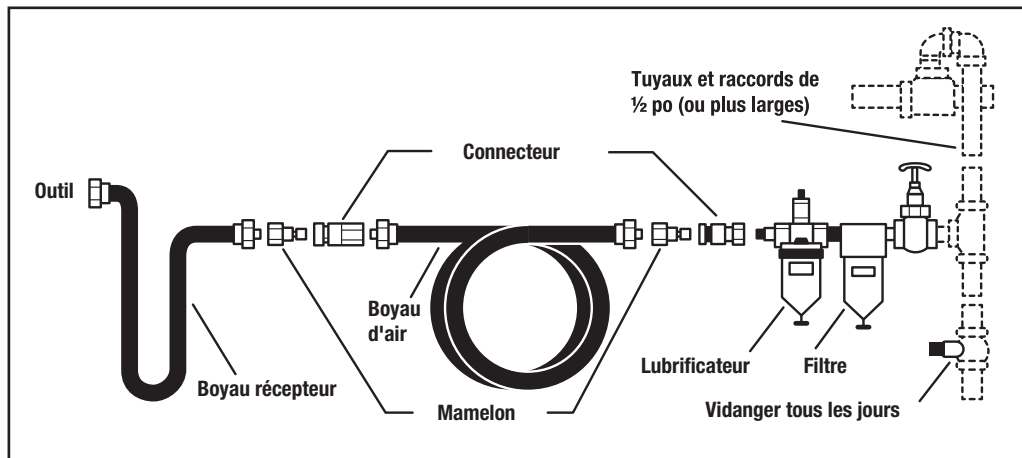
Le diamètre intérieur minimum du boyau est être de 3/8 po et les raccords doivent avoir les mêmes dimensions intérieures. Il est recommandé d'utiliser des lubrificateurs et des filtres à air dans les conduits d'air pour empêcher l'eau de pénétrer dans le conduit et endommager l'outil. Vider le réservoir d'air tous les jours. Nettoyer le grillage du filtre du conduit d'air au moins une fois par semaine pour supprimer la saleté accumulée ou autre débris qui peut restreindre le débit d'air.

L'entrée d'air de l'outil utilisée pour raccorder l'alimentation d'air comporte un fil standard américain de 1/4 po NPT.

Règles de sécurité pour les Outils pneumatiques

- 1) Inspecter le boyau d'air pour noter les fêlures ou autres problèmes. Remplacer le boyau s'il est usé.
- 2) Ne jamais pointer le boyau d'air en direction d'une personne.
- 3) Débrancher l'outil lorsqu'il n'est pas utilisé ou avant d'en effectuer l'entretien ou de changer les accessoires.
- 4) Utiliser les boyaux et raccords appropriés.
Ne jamais utiliser de manchons de conversion rapide fixés directement sur l'outil. Ajoutez plutôt un boyau et un raccord entre l'outil et l'alimentation d'air.

FIGURE A



EMPLOI CORRECT DE L'OUTIL

Votre nouvelle clé à choc à prise de 3/8 po est fabriquée pour enfoncer, serrer et desserrer les fixations filetées, habituellement les écrous et les boulons lorsqu'elle utilise une douille appropriée pour clé à choc. Toujours utiliser les rallonges à résistance déterminée, les joints universels et les intermédiaires de douilles entre la prise de sortie carrée de la clé à choc et la prise carrée femelle de la douille. N'utilisez jamais l'outil pour toute autre fin que celle précisée sans consulter le fabricant ou le fournisseur autorisé du fabricant. Cela peut être dangereux.

Ne jamais utiliser la clé à chocs comme un marteau pour déloger ou redresser des attaches filetées faussées. Ne jamais essayer de modifier l'outil pour d'autres usages.

Postes de travail

Votre clé à chocs ne doit être utilisée que comme outil à main. Il est toujours recommandé que l'utilisateur se tienne debout pour utiliser l'outil. L'outil peut être utilisé si l'utilisateur est dans une autre position, mais avant d'en faire l'utilisation, ce dernier doit s'assurer qu'il se trouve dans une position sécuritaire et qu'il peut avoir une prise ferme sur l'outil; prendre note que lorsque l'outil est utilisé pour dévisser des attaches, l'outil peut alors s'éloigner rapidement de l'attache à dévisser. Il faut prévoir un espace à l'arrière pour le mouvement de recul de l'outil afin d'éviter le coincement de la main, du bras ou du corps.

Mise en service

ALIMENTATION D'AIR

▲MISE EN GARDE : *Cet outil pneumatique doit être lubrifié AVANT sa première utilisation, ainsi qu'avant et après chaque utilisation ultérieure.*

▲AVERTISSEMENT :

Utilisez une alimentation d'air propre et graissée qui fournit une pression d'air mesurée à l'outil de 90 psi/6.2 bar lorsque l'outil fonctionne avec la gâchette pleinement abaissée.

Utiliser le boyau de diamètre recommandé. Il est recommandé de raccorder l'outil sur l'alimentation en air comme illustré à la **figure A** de la page 11. Ne pas raccorder l'outil sur le circuit d'air sans y intégrer un robinet d'arrêt, facile d'accès et facile à faire fonctionner. L'alimentation en air doit être lubrifiée. Il est fortement recommandé d'utiliser un filtre à air, un régulateur et un **lubrificateur (FRL)** comme illustré à la **figure A** de la page 11, car cela permettra de fournir à l'outil de l'air propre et lubrifié à la pression appropriée. Les détails de cet équipement s'obtiennent auprès de votre fournisseur. Si cet équipement n'est pas utilisé, il faut graisser l'outil en fermant l'alimentation d'air et dépressuriser le conduit en abaissant la gâchette de l'outil. Séparer la conduite d'air et verser 1 cuillerée à thé (5 cc) d'une huile de lubrification pour moteurs pneumatiques appropriée, en y ajoutant de préférence un antirouille. Rebranchez l'outil à l'alimentation d'air et faites tourner l'outil lentement pendant quelques secondes pour permettre à l'air de circuler l'huile. Graissez l'outil tous les jours si vous l'utilisez fréquemment ou lorsqu'il commence à ralentir ou à perdre de la puissance.

Utilisation d'une clé à chocs

▲AVERTISSEMENT :

- 1) Lire toutes les instructions avant d'utiliser cet outil. Tous les utilisateurs doivent recevoir une formation complète sur son utilisation et connaître les règles de sécurité.
- 2) Ne pas excéder la pression maximum d'utilisation d'air de 90 psi/6.2 bar.
- 3) Utiliser l'équipement de protection personnelle.
- 4) Utiliser seulement l'air comprimé dans les conditions recommandées.
- 5) Si l'outil semble mal fonctionner, cesser de l'utiliser et prendre les dispositions pour son entretien et sa réparation.
- 6) Si l'outil s'utilise avec un compensateur ou tout autre dispositif de support, s'assurer qu'il est bien assujéti.
- 7) Toujours garder les mains éloignées de l'accessoire de travail fixé à l'outil.

Utilisation d'une clé à chocs (suite)

- 8) L'outil n'est pas isolé électriquement. Ne jamais utiliser l'outil s'il existe un risque qu'il entre en contact avec une ligne sous tension.
- 9) Lorsque vous utilisez l'outil, vous devez vous assurer d'avoir un bon équilibre et de tenir l'outil fermement pour contrer les forces ou réactions qui peuvent se produire en utilisant l'outil.
- 10) Utiliser uniquement des pièces de rechange d'origine Dewalt ou des pièces de qualité équivalente. Ne pas effectuer de réparations temporaires ou permanentes à l'aide de pièces inadéquates.
- 11) Ne pas verrouiller, utiliser du ruban ou du fil métallique, etc. pour immobiliser la gâchette réversible dans la position de marche. La gâchette doit toujours être en mesure de retourner à la position « arrêt » lorsqu'elle est libérée.
- 12) Toujours fermer l'alimentation d'air en direction de l'outil et abaisser la gâchette pour libérer l'air du boyau d'alimentation avant d'installer, d'ajuster ou de retirer l'accessoire de travail.
- 13) Vérifiez régulièrement les boyaux et les raccords pour en noter l'usure. Remplacer au besoin. Ne pas transporter l'outil par le boyau. S'assurer de retirer la main de la gâchette réversible pour transporter l'outil branché à l'alimentation d'air.
- 14) Assurez-vous d'éviter l'emmêlement des pièces mobiles de l'outil par les vêtements, les attaches, les cheveux, les chiffons, etc, car cela aurait pour effet de pousser le corps vers l'outil et peut être très dangereux.
- 15) Il est attendu que les utilisateurs adopteront des habitudes de prudence au travail et respecteront toutes les prescriptions légales pertinentes pour installer, utiliser et entretenir l'outil.

- 16) Installer seulement l'outil lorsqu'un interrupteur facilement accessible et utilisable est incorporé dans l'alimentation d'air.
- 17) S'assurer que l'échappement d'air de l'outil ne cause pas de problème ou n'est pas dirigé sur une personne.
- 18) Ne jamais poser l'outil sur le sol si l'accessoire de travail est encore en marche.
- 19) Toujours s'assurer que l'interrupteur réversible est dans la position recherchée avant de démarrer l'outil.
- 20) Ne pas utiliser les douilles très usées sur les prises d'entraînement ou de sortie. Vérifiez périodiquement le carré d'entraînement sur la clé à choc. S'assurer que la douille, la rallonge ou autre accessoire est bien assujéti avant d'utiliser l'outil.
- 21) Pour desserrer les fixations, s'assurer qu'il y a suffisamment d'espace derrière l'outil pour éviter de se coincer les mains. L'outil s'éloigne du joint fileté lorsque l'écrou ou le boulon est desserré et remonte le fil, déplaçant l'outil dans son mouvement.

LISTE DE VÉRIFICATION DE PRÉ-DÉMARRAGE

- *Vidanger l'eau du réservoir d'air comprimé et la condensation des conduits d'air. (Veuillez consulter la notice d'emploi du compresseur d'air.)*
- *Lubrifier l'outil (Veuillez consulter la notice d'emploi du compresseur d'air.)*
- *Sélectionner les douilles et les accessoires à chocs nécessaires. La dimension des douilles doit correspondre à la dimension de la clé à chocs pneumatique.*
- *Brancher la clé à choc pneumatique à la source d'air en utilisant le boyau de la taille recommandée.*

▲AVERTISSEMENT : Risque d'utilisation dangereuse. Saisir fermement le tuyau en main lors du raccordement ou de la déconnexion pour empêcher un à-coup du tuyau.

▲AVERTISSEMENT : Une trop forte pression d'air représente un risque de rupture. Vérifiez la pression maximum suggérée par le fabricant pour les outils pneumatiques et les accessoires. La pression de sortie du régulateur ne doit jamais dépasser la pression maximale nominale.

PROCÉDURES DE FONCTIONNEMENT

DÉMARRAGE (FIG. 1, PG2)

- Mettre le compresseur à air en marche et permettre au réservoir à air de se remplir.
- Régler le régulateur du compresseur sur 6,2 bars (90 PSI). Cet outil fonctionne à une pression d'air maximale de 6,2 bars (90 PSI).
- Régler le cadran de puissance (le cas échéant) au couple désiré.
- Régler l'outil à la position Avant ou Arrière. Voir la section **Caractéristiques à la page 10 pour consulter le schéma.**
- Maintenir la gâchette enfoncée pour mettre l'outil en marche.

ARRÊT (FIG. 1, PG2)

- Relâcher la gâchette afin d'arrêter l'outil.
- Avant de changer les douilles, toujours séparer l'alimentation en air afin d'éviter les blessures.
- Une fois le travail terminé, arrêter le compresseur à air et ranger l'outil pneumatique après l'avoir lubrifié.

NOTICE D'EMPLOI

- Fixer la douille ou l'accessoire solidement sur la clé à chocs.
- S'assurer que l'interrupteur Avant/arrière est à la position appropriée pour visser ou dévisser l'attache.
- L'écrou ou le boulon peut ensuite être vissé sur le filetage à l'aide de l'entraînement de l'outil. L'outil peut être utilisé sur la position Inverser pour dévisser un joint.

ENTRETIEN

Graissage

Les outils pneumatiques doivent être graissés pendant toute la vie des outils. Le moteur pneumatique et les coussinets utilisent l'air comprimé pour actionner l'outil et comme l'humidité de l'air comprimé entraîne la formation de rouille sur le moteur et les pièces intérieures de l'outil, il faut graisser l'outil tous les jours. Tout manquement à graisser les outils correctement réduira fortement la vie de l'outil et annulera la garantie.

▲ATTENTION :

Il faut graisser l'outil **AVANT** l'emploi initial, avant et après chaque usage additionnel.

Pour graisser l'outil pneumatique à la main :

1. Débrancher l'outil de la source d'alimentation d'air, placer les entrées d'air vers le haut.
2. Retirer l'accessoire de la prise de l'outil pneumatique, comme les douilles, les ciseaux, etc.
3. Maintenir la gâchette enfoncée et mettre environ 1 cuillerée à thé (5 cc.) d'huile pour outil pneumatique dans l'entrée d'air. (Maintenir la gâchette enfoncée permettra de faire circuler l'huile dans le moteur.)

Remarque : Utiliser l'huile SAE n°10 si l'huile à outil pneumatique n'est pas disponible.

4. Raccorder l'outil sur une source d'air, couvrir l'extrémité de l'échappement d'une serviette et faire fonctionner de 20 à 30 secondes.

▲AVERTISSEMENT : Gardez hors de la portée des enfants. En cas d'ingestion, ne pas provoquer de vomissement, appelez un médecin immédiatement.

⚠️ AVERTISSEMENT : L'excédent d'huile dans le moteur est immédiatement expulsé par l'orifice d'échappement. Toujours éloigner l'orifice d'échappement des gens ou objets.

Graissage

⚠️ AVERTISSEMENT :

Il faut graisser l'outil pneumatique avant de le ranger. Se reporter aux instructions sur le « Graissage » en omettant l'étape 4.

INFORMATION SUR LES RÉPARATIONS

Veillez recueillir les informations suivantes pour tous les appels au Service à la clientèle :
Numéro du modèle _____
Date et lieu de l'achat _____

GARANTIE COMPLÈTE D'UN (3) AN

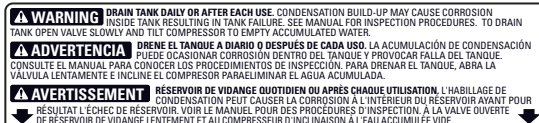
Les outils industriels de service intensif de DEWALT sont garantis pour une période de un (3) an à partir de la date d'achat. DEWALT réparera gratuitement toutes défectuosités provoquées par un défaut de matériel ou de fabrication. DEWALT réparera gratuitement toutes défectuosités provoquées par un défaut de matériel ou de fabrication. Pour des renseignements relatifs aux réparations sous garantie, composer le 1-800-4-DEWALT. Cette garantie ne s'applique pas aux accessoires ni aux dommages causés par des réparations réalisées ou tentées par des tiers. Cette garantie vous accorde des droits légaux spécifiques et il est possible que vous ayez d'autres droits qui varient d'un État ou d'une province à l'autre.

AMÉRIQUE LATINE : cette garantie ne s'applique pas aux produits vendus en Amérique latine. Pour ceux-ci, veuillez consulter les infor-

mations relatives à la garantie spécifique présente dans l'emballage, appeler l'entreprise locale ou consulter le site Web pour les informations relatives à cette garantie.

REEMPLACEMENT GRATUIT DES ÉTIQUETTES

D'AVERTISSEMENT : si les étiquettes d'avertissement deviennent illisibles ou sont manquantes, composer le 1-800-4-DEWALT pour en obtenir le remplacement gratuit.



GLOSSAIRE

CFM : pied cube par minute.

SCFM : pied cube par minute (standard), une unité de mesure du soufflage.

PSI : livres par pouce carré, une unité de mesure de pression.

Code de certifications : les produits qui affichent un ou plusieurs des étampes suivantes : UL, CUL, ETL, CETL ont été évalués par un laboratoire de sécurité indépendant sanctionné par l'OSHA et qui répond aux normes en vigueur des Underwriters Laboratories en ce qui a trait à la sécurité.

TR/MIN : Tours par minute; est une unité de mesure indiquant la fréquence d'un tour

B/MIN : Battements par minute.

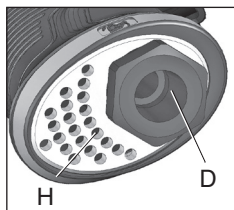
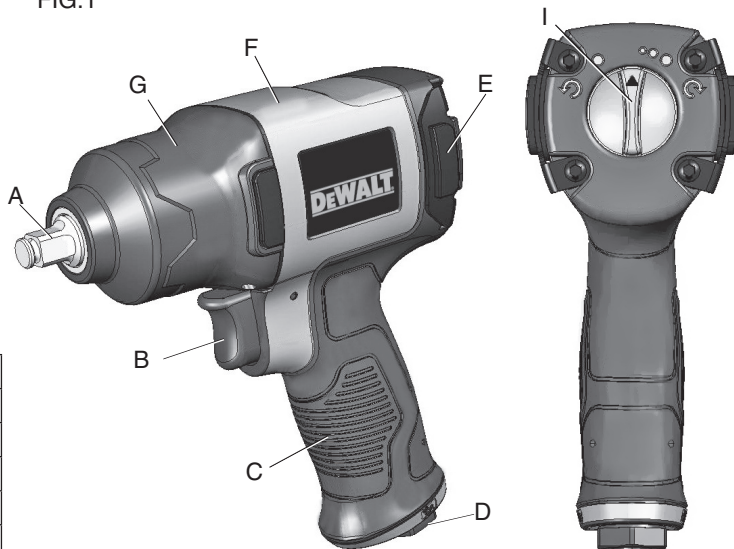
NPT : « National pipe thread » (filetage conique); est une norme américaine pour les filets coniques utilisés dans les tuyaux et les raccords filetés.

ID : Diamètre intérieur

LLAVE DE IMPACTO DE 9,5 MM (3/8") DWMT70775

- A. Encastre cuadrado de 9,5 mm (3/8")
- B. Gatillo
- C. Empuñadura ergonómica
- D. Entrada de aire de 1/4"
- E. Protectores de goma en la carcasa resistentes a impactos
- F. Cuerpo compuesto
- G. Mecanismo de martillo doble
- H. Escape
- I. Cuadrante de potencia ajustable de avance/retroceso

FIG.1



ESPECIFICACIONES

MODELO	DWMT70775
ACCIONADOR CUADRADO	3/8"
TIPO DE EMBRAGUE	Martillo doble
TORSIÓN MÁXIMA (INVERSA)	405 Nm (300 pies/lb)
VELOCIDAD LIBRE (A 90 PSI)	11000 RPM
GOLPES POR MINUTO	1200 GPM
PESO NETO	1,3 kg (2,8 lb)
TIPO DE ESCAPE	Manija
CONSUMO DE AIRE PROMEDIO (A 90 PSI)	16 l/s (33,5 SCFM) 2,3 l/s (4,8 CFM)
CONSUMO DE AIRE PROMEDIO CON CARGA (A 90 PSI)	12 l/s (24,7 SCFM) 1,7 l/s (3,5 CFM)
TAMAÑO DE LA ENTRADA DE AIRE	6.4 mm (1/4 pulg.) NPT(F)
TAMAÑO RECOMENDADO DE LA MANGUERA	10 mm (3/8")
PRESIÓN MÁXIMA DE AIRE	90 PSI

Définitions : Definiciones: Normas de seguridad

Las siguientes definiciones describen el nivel de gravedad de cada advertencia. Lea el manual y preste atención a estos símbolos.

▲ PELIGRO: indica una situación de peligro inminente que, si no se evita, **provocará la muerte o lesiones graves.**

▲ ADVERTENCIA: Indica una situación de peligro potencial que, si no se evita, **podría provocar la muerte o lesiones graves**

▲ ATENCIÓN: Indica una situación de peligro potencial que, si no se evita, **puede provocar lesiones leves o moderadas.**

ATENCIÓN: Utilizado sin el símbolo de alerta de seguridad indica una situación de peligro potencial que, si no se evita, **puede provocar daños en la propiedad.**

SI TIENE ALGUNA DUDA O COMENTARIO ACERCA DE ÉSTA U OTRA HERRAMIENTA DEWALT, LLÁMENOS AL NÚMERO GRATUITO: 1-800-4-DEWALT (1-800-433-9258)

INSTRUCCIONES DE SEGURIDAD IMPORTANTES

▲ ADVERTENCIA: Algunas partículas originadas al lijar, aserrar, amolar, taladrar y realizar otras actividades de construcción contienen productos químicos reconocidos por el Estado de California como causantes de cáncer, defectos de nacimiento u otros problemas reproductivos. Algunos ejemplos de estos productos químicos son:

- el plomo de las pinturas de base plomo
- la sílice cristalina de ladrillos, cemento y otros productos de mampostería,

- el arsénico y cromo de madera con tratamiento químico.

El riesgo derivado de estas exposiciones varía según la frecuencia con la que se realice este tipo de trabajo. Para reducir la exposición a estos productos químicos: trabaje en áreas bien ventiladas y con equipos de seguridad aprobados, use siempre mascarilla facial o de respiración adecuada y aprobada por OSHA/MSHA/NIOSH cuando use este tipo de herramientas.

Cuando se utilizan herramientas neumáticas, siempre se deben respetar las precauciones de seguridad para reducir el riesgo de lesiones personales.

▲ ADVERTENCIA: Este producto contiene sustancias químicas, incluido el plomo, reconocidas por el Estado de California como causantes de cáncer, defectos de nacimiento u otros problemas reproductivos. Lávese las manos después de utilizarlo.

GUARDE ESTAS INSTRUCCIONES

▲ ADVERTENCIA:

La operación o el mantenimiento inapropiados de este producto podrán resultar en lesiones graves y daños a la propiedad. Lea y comprenda todas las advertencias e Instrucciones de operación antes de usar este equipo. Cuando use herramientas neumáticas, se deberán seguir las precauciones de seguridad básicas para reducir el riesgo de heridas Personales.



▲ ADVERTENCIA:



Lea y comprenda este manual de instrucciones y los rótulos en la herramienta antes de instalarla, operarla o darle servicio a esta herramienta. Mantenga estas instrucciones en un lugar seguro y accesible.



Tanto el operador como las demás personas deben llevar puestas gafas de seguridad con protectores laterales que cumplan con la norma **ANSI Z87.1 CAN/CSA Z94.3**.



Los operadores y otros en el área deberán usar protección para los oídos.



Graissez tous les jours pour un rendement optimal.

▲ ADVERTENCIA:

- Evite el uso prolongado: el movimiento repetitivo o la exposición a la vibración podrán ser dañinos para sus manos o brazos. Utilice guantes para proporcionar protección adicional, tome descansos frecuentes y limite el tiempo de uso diario.
- No use oxígeno o gases reactivos; podrá ocurrir una explosión.
- No exceda una presión de aire de 90 lbs./pul.² (PSI).
- Lea cuidadosamente todos los manuales incluidos con este producto. Familiarícese completamente con los controles y con el uso apropiado del equipo.
- Sólo personas bien familiarizadas con estas reglas de operación seguras se les deberá permitir el uso de la herramienta neumática.
- No exceda ninguna capacidad de presión de ningún componente en el sistema.
- Desconecte la herramienta neumática de la fuente de aire antes de cambiar de herramienta o aditamento y mientras no está operando.
- Siempre use gafas de seguridad y protección para los oídos durante la operación. Siempre use gafas de seguridad aprobadas con protector de cara. Siempre use protección para los oídos aprobada.
- No use ropas sueltas o atavío que contengan cintas o corbatas sueltas, etc. los cuales se podrán enredar con las piezas en movimiento de la herramienta y resultar en heridas corporales serias.
- No use joyas, relojes, identificaciones, brazaletes, collares, etc. cuando opere esta herramienta, ellos se podrán enredar

con las piezas en movimiento de la herramienta y resultar en lesiones graves.

- No oprima el gatillo cuando esté conectando la manguera de alimentación de aire.
- Utilice siempre accesorios diseñados para ser utilizados con herramientas de impacto neumáticas.
- No use accesorios dañados o desgastados.

▲ ADVERTENCIA:

NO USE dados de herramientas manuales.

▲ ADVERTENCIA:

- Nunca dispare el gatillo cuando la herramienta no esté aplicada en un objeto de trabajo. Los accesorios tienen que ser sujetos seguramente. Los accesorios flojos pueden causar heridas serias.
- Proteja la manguera de aire de daños y perforaciones.
- Nunca apunte la herramienta neumática hacia usted u otra persona. Podrán ocurrir lesiones graves.
- Revise las mangueras de aire para ver si están desgastadas o débiles antes de cada uso. Asegúrese de que todas las conexiones estén seguras.
- Mantenga todas las tuercas, pernos y tornillos apretados y asegúrese de que el equipo esté en condiciones seguras de trabajo.
- No coloque las manos cerca o debajo de piezas en movimiento.



▲ ADVERTENCIA: RIESGO DE INCENDIO O EXPLOSIÓN

¿QUÉ PUEDE SUCCEDER?

- Herramientas abrasivas tales como lijadoras y esmeriles, herramientas rotativas como taladros, y herramientas de impacto como llaves, martillos y sierras recíprocas son capaces de generar chispas las cuales pueden resultar en la ignición de materiales inflamables.
- El exceder la clasificación máxima presión de la herramienta o de los accesorios podrá causar una explosión resultando en lesiones graves.

CÓMO EVITARLO

- Nunca operes herramientas cerca de sustancias inflamables como gasolina, nafta, disolventes de limpieza, etc.
- Trabaje en una área limpia y bien ventilada libre de materiales combustibles.
- Nunca use oxígeno, dióxido de carbono u otro gas embotellado como fuente de energía para las herramientas neumáticas.
- Use aire comprimido regulado a la presión máxima o por debajo de la clasificación de presión de cualquier accesorio.



▲ ADVERTENCIA: RIESGO RESPIRATORIO (ASFIXIA)

¿QUÉ PUEDE SUCCEDER?

- Herramientas abrasivas, tales como esmeriles, lijadoras y herramientas de corte, generan polvo y materiales abrasivos los cuales pueden ser dañinos para los pulmones humanos y el sistema respiratorio.
- Algunos materiales tales como adhesivos y brea, contienen químicos cuyos vapores pueden causar lesiones graves bajo exposición prolongada.

CÓMO EVITARLO

- Cuando use tales herramientas, siempre use una máscara o respirador que le quede justo y que sea aprobado por la **MSHA/NIOSH**.
- Siempre trabaje en una área limpia, seca y bien ventilada.



▲ ATTENTION : RIESGO DE PERDIDA AUDITIVA

¿QUÉ PUEDE SUCCEDER?

- La exposición prolongada al ruido producido por el funcionamiento de las herramientas neumáticas puede causar una pérdida permanente de la audición.

CÓMO EVITARLO

- Utilice siempre protección auditiva de acuerdo con la norma **ANSI (S3.19)**.



▲ **ADVERTENCIA: RIESGO DE LESIONES**

¿QUÉ PUEDE SUCCEDER?

- Las herramientas desatendidas, o con la manguera conectada pueden ser activadas por personas no autorizadas conduciendo a lesiones o a lesionar a otros.
- Las herramientas neumáticas pueden despedir objetos flojos u otros materiales en el área de trabajo.
- Las herramientas neumáticas pueden activarse accidentalmente durante operaciones de mantenimiento o cambios en la herramienta.
- Una llave o llave de ajuste abandonada en una pieza giratoria de la herramienta incrementa el riesgo de lesiones personales.

CÓMO EVITARLO

- Extraiga la manguera de aire cuando no se utilice la herramienta y guarde la herramienta en un lugar seguro lejos del alcance de los niños o usuarios no capacitados para utilizarla.
- Use sólo las piezas, los sujetadores y los accesorios recomendados por el fabricante.
- Mantenga el área de trabajo limpia y sin obstrucciones. Mantenga a los niños y otros alejados del área de trabajo mientras opera la herramienta.
- Mantenga el área bien alumbrada.
- Extraiga la manguera de aire para lubricar, añadir o reemplazar los casquillos.
- Nunca transporte la herramienta por la manguera.
- Evite una arrancada accidental. No transporte una herramienta conectada con el dedo en el gatillo.
- El servicio de reparación deberá ser efectuado sólo por un representante de servicio autorizado.
- Extraiga la llave y las llaves de ajuste antes de encender la herramienta.

¿QUÉ PUEDE SUCCEDER?

- Usar las boquillas de inflado para eliminar el polvo puede causar serias lesiones.
- Las herramientas mecanizadas pueden causar que la pieza de trabajo se mueva al hacer contacto causando lesiones.
- La pérdida del control de la herramienta podrá conducir a lesiones personales o de otros.
- Evite utilizar herramientas inadecuadas, dañadas o de calidad deteriorada, tales como discos de desbaste, cinceles, casquillos, brocas, etc., ya que estos o partículas de estos pueden salir expulsados durante el funcionamiento y por el área de trabajo, y causar serias lesiones.

CÓMO EVITARLO

- **NO** utilice las boquillas de inflado para eliminar el polvo.
- Use abrazaderas u otros dispositivos para evitar el movimiento.
- No opere la herramienta mientras esté bajo la influencia de drogas o alcohol.
- No se estire demasiado. Mantenga los pies sobre el piso y el balance en todo momento.
- Mantenga los mangos secos, limpios y libres de aceite y grasa.
- Manténgase alerta. Vigile lo que está haciendo. Use el sentido común. No opere la herramienta cuando esté cansado.
- Siempre use accesorios de herramienta clasificados para la velocidad de la herramienta neumática.
- Nunca use herramientas que se hayan caído, hayan recibido un impacto o estén dañadas por el uso.
- Utilice solo casquillos de grado de impacto en una llave de impacto.
- No le aplique fuerza excesiva a la herramienta – deje que ella haga su trabajo.



▲ **ADVERTENCIA: RIESGO DE LESIONES (CONTINUACIÓN)**

¿QUÉ PUEDE SUCCEDER?

- Una herramienta o los accesorios que no reciban un mantenimiento adecuado pueden causar serias lesiones.
- Existen riesgos de que la herramienta estalle si está dañada.
- Los sujetadores pueden rebotar o ser expulsados y causar serias lesiones o daños en la propiedad.

CÓMO EVITARLO

- Mantenga la herramienta bien cuidada.
- Keep a cutting tool sharp and clean. A properly maintained tool, with sharp cutting edges reduces the risk of binding and is easier to control.
- Revise la desalineación o el atoramiento de piezas en movimiento, ruptura de piezas y cualquier otra condición que pueda afectar el funcionamiento de la herramienta. Si la herramienta está dañada, envíela a reparación antes de utilizarla.
- Nunca apunte la descarga de la herramienta a usted mismo o a otros.
- No apriete el gatillo a menos que el dispositivo de seguridad de contacto de la herramienta esté en contacto con la superficie de trabajo.
- Nunca intente encastrar sujetadores en superficies duras, tales como acero, hormigón o tejas.
- Tenga precaución para evitar encastrar un sujetador sobre otro sujetador.
- Ubique la herramienta cuidadosamente de modo que los sujetadores queden colocados en la ubicación correcta.



▲ **ADVERTENCIA: RIESGO DE DESCARGA ELÉCTRICA**

¿QUÉ PUEDE SUCCEDER?

- Esta herramienta no incluye una superficie de agarre aislada. El contacto con un cable cargado también cargará las piezas metálicas expuestas de la herramienta, lo que puede ocasionar una electrocución o la muerte.

CÓMO EVITARLO

- Evite el contacto del cuerpo con superficies conectadas a tierra, tales como caños, radiadores y refrigeradores. Existe un riesgo de descarga eléctrica mayor si su cuerpo está en contacto con tierra.
- Investigue exhaustivamente la pieza de trabajo en busca de cableados ocultos antes de realizar el trabajo.



**⚠ ADVERTENCIA: RIESGO DE HERIDAS
EN LOS OJOS O CABEZA**

¿QUÉ PUEDE SUCCEDER?

- Los equipos motorizados neumáticos y las herramientas motorizadas son capaces de propulsar materiales como astillas, viruta de sierra, y otros desperdicios a alta velocidad, lo que puede resultar en heridas serias en los ojos.
- El aire comprimido puede ser peligroso. El chorro de aire puede causar heridas a los tejidos blandos tales como los ojos, oídos, etc. Las partículas u objetos propulsados por un chorro de aire pueden causar heridas.
- Los accesorios de la herramienta se pueden aflojar o romper y volar en pedazos impulsando partículas al operador u otros en el área de trabajo.

CÓMO EVITARLO

- Utilice siempre gafas de seguridad con protectores laterales que cumplan con la norma **ANSI Z87.1 CAN/CSA Z94.3**.
- Nunca deje desatendida una herramienta en operación. Desconecte la manguera de aire cuando la herramienta no esté siendo usada.
- Para protección adicional use un protector de cara además de las gafas de seguridad.
- Compruebe que los accesorios estén firmemente ensamblados.



⚠ ADVERTENCIA: RIESGO DE CORTADAS O QUEMADURAS

¿QUÉ PUEDE SUCCEDER?

- Las herramientas que corta, cizallan, perforan, cincelan, etc., son capaces de causar lesiones graves.

CÓMO EVITARLO

- Mantenga la pieza de trabajo de la herramienta alejada de las manos y del cuerpo.



⚠ ADVERTENCIA: RIESGO DE ENREDO

¿QUÉ PUEDE SUCCEDER?

- Las herramientas que contienen elementos móviles, o impulsan otras herramientas móviles, tales como discos de esmeril, discos de lijado, etc., se pueden enredar en el pelo, la ropa, las joyas y otros objetos sueltos, resultando en lesiones severas.

CÓMO EVITARLO

- Nunca use ropas sueltas, o atavíos que contengan cintas o corbatas sueltas, etc. los cuales se podrán enredar con las piezas en movimiento de la herramienta.
- Quitese cualquier joya, reloj, identificación, brazaletes, collar, etc., que se pueda enredar con la herramienta.
- Mantenga las manos alejadas de las piezas en movimiento. Amárrese o cúbrase el pelo suelto.
- Siempre use ropa que ajuste apropiadamente y otros equipos de seguridad cuando use esta herramienta.

▲ ADVERTENCIA:

ALIMENTACIÓN DE AIRE Y CONEXIONES

- *No use oxígeno, gases combustibles o gases embotellados como fuente de potencia para esta herramienta ya que la herramienta puede explotar, posiblemente causando lesiones.*
- No utilice fuentes de suministro que puedan exceder potencialmente 200 PSI (13,8 bar) ya que esto puede ocasionar que la herramienta estalle y cause lesiones.
- El conector de la herramienta no deberá mantener la presión cuando el suministro de aire es desconectado. Si se usa un acople equivocado, la herramienta podrá quedarse cargada con aire después de desconectar y así será capaz de operar después de que la manguera de aire ha sido desconectada causando posiblemente lesiones.
- Siempre desconecte el suministro de aire:
 - 1) Antes de efectuar ajustes,
 - 2) Cuando le preste servicio a la herramienta,
 - 3) Cuando la herramienta no esté siendo usada,
 - 4) Cuando se mueva hacia otra área de trabajo, ya que puede ocurrir activación accidental, posiblemente causando heridas.

**CONSERVE ESTAS INSTRUCCIONES
PARA FUTURAS CONSULTAS**

CARACTERÍSTICAS

CUADRANTE DE POTENCIA AJUSTABLE

El **cuadrante (I)** controla la dirección entre el avance y el retroceso para encastrar o extraer sujetadores, respectivamente. Coloque el cuadrante hacia la izquierda para la marcha de retroceso y a la derecha para la marcha de avance. El cuadrante también permite controlar tres ajustes de velocidad del par de apriete. El par de apriete se incrementa con configuraciones de círculos más grandes.

ACCIONADOR CUADRADO

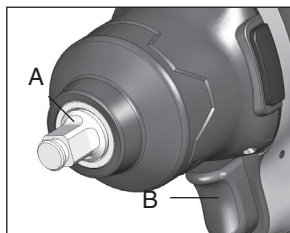
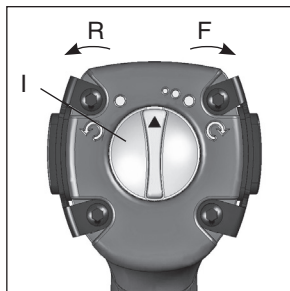
El **encastre cuadrado de 9,5 mm (3/8") (A)** permite realizar la colocación de casquillos con un encastre cuadrado de 9,5 mm (3/8").

GATILLO

El **gatillo (B)** permite al operador controlar el arranque y la parada de la herramienta neumática.

CUERPO COMPUESTO

El cuerpo de la herramienta neumática es un **diseño compuesto de alto impacto (f)** para proporcionar un peso reducido y una relación peso-potencia superior. El cuerpo compuesto reduce la fatiga y proporciona un aislante del aire frío que circula por la empuñadura.



MECANISMO DE MARTILLO DOBLE

Esta herramienta neumática contiene un mecanismo de martillo doble que proporciona una mayor durabilidad y una vida más prolongada de la herramienta.

MANIJA

Esta herramienta neumática posee un **agarre ergonómico (C)** hecho de un diseño de **elastómero termoplástico moldeado (TPE)** para proporcionar una comodidad mejorada, una reducción del resbalamiento y un mejor control de la herramienta.

ESCAPE

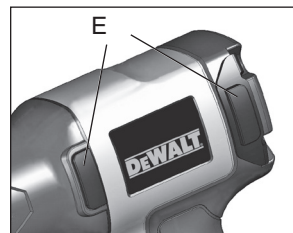
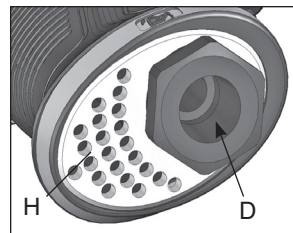
El **escape (H)** se encuentra en la base de la empuñadura y permite orientar el escape fuera del área de trabajo del operador.

ENTRADA DE AIRE

La **entrada de aire (D)** de la herramienta que se encuentra en la parte inferior de la empuñadura se utiliza para conectar una fuente de suministro de aire con una rosca americana NPT de 1/4" rosca americana NPT de 1/4" estándar.

PROTECTORES DE GOMA EN LA CARCASA RESISTENTES A IMPACTOS

Los **protectores de goma en la carcasa resistentes a impactos (E)** proporcionan protección contra grietas en la carcasa a causa de caídas accidentales de la herramienta neumática.



INSTALACIÓN

Suministro de aire

La conexión recomendada se muestra en la **figura A**. Las herramientas neumáticas operan sobre un amplio margen de presiones de aire. Para obtener la máxima eficiencia y mayor vida útil de la herramienta, la presión del aire suministrado a estas herramientas NO debe exceder la PSI de servicio especificada en la herramienta durante su funcionamiento. El uso de una presión más alta de la capacidad nominal de la herramienta causará un desgaste más rápido reduciendo drásticamente la vida de la herramienta. Una presión de aire más alta también causará una condición insegura y una explosión.

El diámetro interior de la manguera deberá ser aumentado para compensar por una manguera inusualmente larga (más de 7,62 m o sea 25 pies). El diámetro mínimo de lamanguera deberá ser de 3/8" de D. I. y los conectores deben tener el mismo diámetro interno.

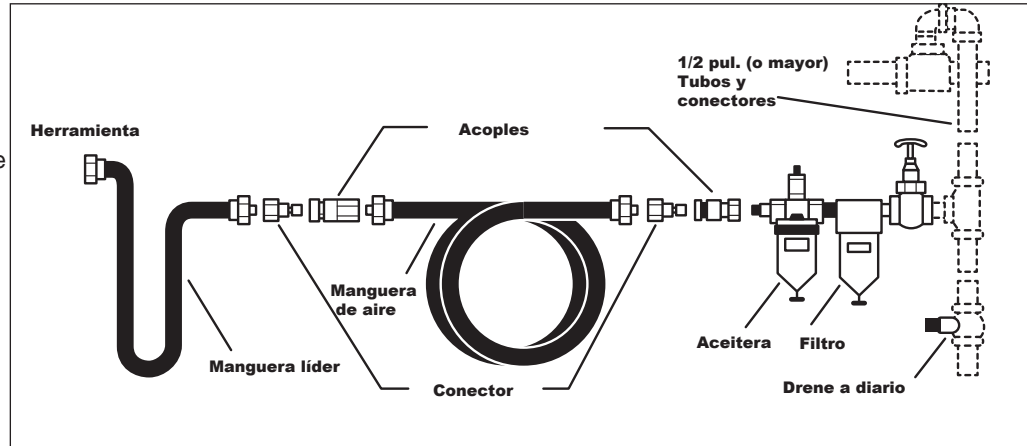
El uso de lubricadores de manguera de aire y de filtros de aire en línea es recomendado para evitar que agua en la manguera dañe la herramienta. Drene diariamente el tanque de aire.

Limpie el cedazo del filtro de entrada de aire por lo menos una vez por semana para remover la mugre acumulada u otras cosas que puedan restringir el flujo de aire. La entrada de aire de la herramienta usada para conectar una fuente de aire tiene una rosca estándar americana de 1/4" NPT.

Reglas de seguridad para herramientas neumáticas

- 1) Inspeccione las mangueras de aire para ver si están rajadas o tienen otros problemas. Reemplace la manguera si está desgastada.
- 2) Nunca apunte una manguera de aire hacia otra persona.
- 3) Desconecte la herramienta cuando no esté siendo usada, antes de prestarle servicio o cambiar de accesorio.
- 4) Use las mangueras y conectores apropiados. Nunca use acopladores de cambio rápido en la herramienta. En cambio, adicione una manguera y un acoplador entre la herramienta y la fuente de aire.

FIGURE A



PREPARACIÓN PARA EL USO

Uso apropiado de la herramienta

Su llave de impacto de 3/8 pul. fue diseñada para enroscar, apretar y desapretar sujetadores roscados, usualmente tuercas y tornillos, cuando tiene instalado un dado de impacto apropiado.

Siempre use barras de extensión, acoples universales y dados clasificados para llaves de impacto entre el cuadrante de salida de la llave de impacto y el cuadrante hembra del dado.

No use la herramienta para ningún otro propósito diferente al especificado sin consultar al fabricante o al distribuidor autorizado del fabricante. El hacer esto podrá ser peligroso.

Nunca utilice la llave de impacto como un martillo para quitar o enderezar sujetadores con las roscas cruzadas. Nunca intente modificar la herramienta para otros usos.

Estaciones de trabajo

Su llave de impacto debe ser utilizada solo como una herramienta manual. Se recomienda que utilice la herramienta cuando esté parado de manera firme y equilibrada. Se puede utilizar en otras posiciones pero antes de darle tal uso, el operador debe estar en una posición segura y tener buen equilibrio y agarre firme, y tener siempre presente que al aflojar sujetadores la herramienta puede moverse rápidamente fuera del sujetador que se está aflojando. Se debe permitir siempre una tolerancia para este movimiento hacia atrás para evitar que la mano, el brazo o el cuerpo quedan atrapados.

Puesta en servicio

Suministro de aire

▲ PRECAUCIÓN: Esta herramienta requiere lubricación **ANTES** de su uso inicial pero también antes y después de cada uso adicional.

▲ ADVERTENCIA: Use una fuente de aire limpio y lubricado que proporcione una presión de aire medida en la herramienta de 90 lbs./pul.² (6,2 bar) cuando la herramienta esté funcionando con el gatillo completamente oprimido.

Utilice el tamaño de manguera recomendado. Se recomienda conectar la manguera al suministro de aire como se muestra en

la **figura A** en la página 11. No conecte la herramienta al sistema de la tubería de aire sin incorporar una válvula de cierre de aire de fácil alcance y operación. Se debe lubricar el suministro de aire. Se recomienda encarecidamente que utilice un lubricador y regulador de filtro de aire, como se muestra en la **figura A** en la página 11, ya que este permitirá proporcionar aire limpio y lubricado a la presión correcta en la herramienta. Se recomienda enérgicamente que se use un filtro de aire, regulador, **lubricador (FRL)** tal como se muestra en la **Figura A**, ya que esto le suministrará a la herramienta aire limpio y lubricado a la presión correcta. Los detalles de este equipo pueden ser obtenidos donde su proveedor. Si no se usa tal equipo, entonces la herramienta deberá ser lubricada desconectando la fuente de aire de la herramienta y despresurizando el conducto oprimiendo el gatillo de la herramienta. Desconecte la tubería de aire y vierta 1 cucharadita (5 cc.) de aceite lubricante para motor neumático adecuado en la entrada de aire, que incorpore preferentemente un inhibidor de óxido. Conecte la fuente de aire en la herramienta y opérela lentamente por unos segundos para que el aceite circule. Lubrique la herramienta diariamente si es usada frecuentemente, o cuando comience a perder velocidad o potencia.

Uso de una herramienta de impacto

▲ ADVERTENCIA:

- 1) Lea todas las instrucciones antes de usar esta herramienta. Todos los operadores deberán ser entrenados completamente en su uso y estar informados sobre estas reglas de seguridad.
- 2) No exceda la máxima presión de aire de trabajo de 90 lbs./pul.² (6,2 bar).
- 3) Use equipos de seguridad personales.
- 4) Use únicamente aire comprimido en las condiciones recomendadas.
- 5) Si parece que la herramienta funciona mal, retírela de servicio y haga los arreglos necesarios para repararla.
- 6) Si la herramienta es usada con un balanceador u otro dispositivo de soporte, asegúrese de que esté seguramente sujetado.
- 7) Mantenga siempre sus manos alejadas del accesorio de trabajo instalado en la herramienta.

- 8) Esta herramienta no está aislada eléctricamente. Nunca use la herramienta si hay alguna probabilidad de que entre en contacto con la electricidad.
- 9) Cuando use la herramienta, siempre adopte una posición de pies firmes y agarre firmemente la herramienta para contrarrestar cualquier fuerza o fuerzas de reacción que puedan ser generadas al usar la herramienta.
- 10) Utilice solo piezas de repuesto Dewalt o piezas que presten un servicio equivalente. No realice arreglos temporales o permanentes con partes no autorizadas.
- 11) No trabe, pegue con cinta adhesiva, amarre con alambre el gatillo en la posición de marcha. El gatillo siempre deberá estar libre para regresar a la posición de "apagado" al ser soltado.
- 12) Siempre cierre la fuente de aire de la herramienta y oprima el gatillo para aliviar el aire de la manguera de alimentación antes de ajustar o remover el accesorio de trabajo.
- 13) Revise regularmente las mangueras y conectores para ver si están desgastados. Reemplácelos si es necesario. No transporte la herramienta agarrándola por la manguera. Asegúrese de retirar su mano del gatillo cuando transporte la herramienta con la fuente de aire conectada.
- 14) Tenga cuidado de no enredar ninguna pieza de la herramienta en la ropa, corbata, cabello, trapos de limpieza, etc. Esto causará que el cuerpo sea atraído hacia la herramienta lo cual puede ser muy peligroso.
- 15) Se espera que los usuarios adopten prácticas de trabajo seguras y observen todos los requisitos egales relevantes al instalar, usar o darle mantenimiento a la herramienta.
- 16) Sólo instale la herramienta cuando tenga un interruptor de encendido/apagado fácilmente accesible y operable en la fuente de aire.
- 17) Tenga cuidado para que el escape de aire de la herramienta no cause problemas o sople en dirección a otra persona.
- 18) Nunca recueste la herramienta a menos que el accesorio de trabajo haya dejado de moverse.
- 19) Asegúrese siempre de que el interruptor de marcha adelante/reverso esté en la posición deseada antes de arrancar la herramienta.
- 20) No use dados con desgaste excesivo en la cabeza motriz de entrada o de salida. Revise periódicamente el cuadrante de la llave de impacto. Asegúrese de que el dado, barra de extensión u otro aditamento quede asegurado firmemente antes de operar la herramienta.
- 21) Al aflojar sujetadores asegúrese primero que haya suficiente espacio libre detrás de la herramienta para evitar que le atrape la mano. La herramienta se alejará de la junta roscada a medida que la tuerca o tornillo es aflojado y sale de la rosca, moviendo la herramienta con el sujetador.

LISTA DE CONTROL PREVIA A LA PUESTA EN MARCHA

- Drene el agua del tanque del compresor de aire y la condensación de las mangueras de aire. (Por favor consulte el manual de operación del compresor).
- Lubrique la herramienta.
- Seleccione los tubos de impacto necesarios. Los tubos deben coincidir con el tamaño del impulsor en la llave neumática de impacto.
- Conecte la llave de impacto neumática a la fuente de aire con la manguera del tamaño recomendado.

▲ ADVERTENCIA: Riesgo de operación insegura. *Sostenga la manguera firmemente con las manos al instalarla o desconectarla para evitar la desconexión repentina de la manguera.*

▲ ADVERTENCIA: RIESGO DE ROTURA. *Una presión de aire excesiva puede causar un riesgo de estallido peligroso. Controle el valor nominal máximo de presión del fabricante para las herramientas y los accesorios neumáticos. La presión de salida del regulador nunca debe exceder la presión de servicio máxima.*

PROCEDIMIENTOS OPERATIVOS

PUESTA EN MARCHA (FIG. 1, PG.2)

- Encienda el compresor de aire y permita que el tanque de aire se llene.
 - Ajuste el regulador del compresor de aire a 90 PSI. Esta herramienta neumática funciona a una presión de servicio máxima de 90 PSI.
 - Ajuste el cuadrante de potencia (si está disponible) al par de apriete deseado.
 - Ajuste la herramienta en la posición de avance o retroceso.
- Consulte Características en la página 10 para ver el diagrama.**
- Presione el gatillo para comenzar a utilizar la herramienta.

APAGADO (FIG. 1, PG.2)

- Libere el gatillo para dejar de utilizar la herramienta.
- Al cambiar los casquillos, desconecte siempre el suministro de aire para evitar lesiones.
- Una vez que haya completado el trabajo, apague el compresor y almacene la herramienta neumática después de haberla lubricado.

NOTICE D'EMPLOI

- Ajuste firmemente el casquillo o el accesorio a la llave de impacto.
- Compruebe que el interruptor de avance/retroceso esté en la posición correcta para apretar o aflojar el sujetador.
- La tuerca/El perno puede enroscar utilizando el encastre impulsor de la herramienta. Para aflojar una unión, la herramienta se puede utilizar en la secuencia inversa.

MANTENIMIENTO

Graissage

Les outils pneumatiques doivent être graissés pendant toute la vie des outils. Le moteur pneumatique et les coussinets utilisent l'air comprimé pour actionner l'outil et comme l'humidité de l'air comprimé entraîne la formation de rouille sur le moteur et les pièces

intérieures de l'outil, il faut graisser l'outil tous les jours. Tout manquement à graisser les outils correctement réduira fortement la vie de l'outil et annulera la garantie.

⚠ ATENCIÓN: *Il faut graisser l'outil AVANT l'emploi initial, avant et après chaque usage additionnel.*

Pour graisser l'outil pneumatique à la main :

1. Débrancher l'outil de la source d'alimentation d'air, placer les entrées d'air vers le haut.
2. Retirer l'accessoire de la prise de l'outil pneumatique, comme les douilles, les ciseaux, etc.
3. Presione el gatillo y coloque alrededor de 1 cucharadita (5 cc.) de aceite para herramienta neumática en la entrada de aire. (Presionar el gatillo ayudará a hacer circular el aceite en el motor.)

Remarque: Utiliser l'huile SAE n°10 si l'huile à outil pneumatique n'est pas disponible.

4. Conecte la herramienta en una fuente de aire, cubra el extremo de escape con una toalla y hágalo funcionar entre 20 y 30 segundos.

⚠ ADVERTENCIA: *Gardez hors de la portée des enfants. En cas d'ingestion, ne pas provoquer de vomissement, appelez un médecin immédiatement.*

⚠ ADVERTENCIA: *L'excédent d'huile dans le moteur est immédiatement expulsé par l'orifice d'échappement. Toujours éloigner l'orifice d'échappement des gens ou objets.*

Rangement

Il faut graisser l'outil pneumatique avant de le ranger. Se reporter aux instructions sur le « Graissage » en omettant l'étape 4.

INFORMACIÓN DEL SERVICIO TÉCNICO

Tenga a mano la siguiente información cuando llame al mantenimiento:

Número del modelo _____

Fecha y lugar de compra _____

GARANTÍA COMPLETA DE UN TRES

Las herramientas industriales DeWALT PARA TRABAJO PESADO TIENEN GARANTÍA DE UN TRES A PARTIR DE LA FECHA DE

COMPRA. Repararemos, sin cargo, cualquier defecto debido a fallas en los materiales o la mano de obra. Para obtener información sobre las reparaciones cubiertas por la garantía, llame al 1-800-4-DeWALT. Esta garantía no se extiende a los accesorios o a los daños causados por terceros al intentar realizar reparaciones. Esta garantía le concede derechos legales específicos; usted goza también de otros derechos que varían según el estado o provincia.

AMÉRICA LATINA: Esta garantía no se aplica a los productos que se venden en América Latina. Para los productos que se venden en América Latina, debe consultar la información de la garantía específica del país que viene en el empaque, llamar a la compañía local o visitar el sitio Web a fin de obtener esa información.

REEMPLAZO GRATUITO DE LAS ETIQUETAS DE

ADVERTENCIA: Si sus etiquetas de advertencia se tornan ilegibles o faltan, llame al 1-800-4-DeWALT para que se le reemplacen gratuitamente.

CAUTION SEE OWNER'S MANUAL FOR PREVENTIVE MAINTENANCE PROCEDURES.	ATENCIÓN VÉASE EL MANUAL DEL USUARIO PARA LOS PROCEDIMIENTOS DE MANTENIMIENTO PREVENTIVO.	ATTENTION CONSULTE LE MANUEL ET LES PROCÉDURES D'ENTRETIEN PRÉVENTIF.
WARNING FALLS CAN CAUSE SERIOUS INJURIES. DO NOT STEP OR STAND ON THIS AREA.	ADVERTENCIA LAS CAÍDAS PUEDEN CAUSAR LESIONES GRAVES. NO PISAR NI PARARSE EN ESTA ÁREA.	AVERTISSEMENT LES CHUTES PEUVENT CAUSER DE GRAVES BLESSURES. NE MARCHÉZ PAS ET NE VOUS TENEZ PAS SUR CET EMPLACEMENT.
WARNING DRAIN TANK DAILY OR AFTER EACH USE. CONDENSATION BUILD-UP MAY CAUSE CORROSION INSIDE TANK RESULTING IN TANK FAILURE. SEE MANUAL FOR INSPECTION PROCEDURES. TO DRAIN TANK OPEN VALVE SLOWLY AND TILT COMPRESSOR TO EMPTY ACCUMULATED WATER.	ADVERTENCIA DRENE EL TANQUE A DIARIO O DESPUÉS DE CADA USO. LA ACUMULACIÓN DE CONDENSACIÓN PUEDE OCASIONAR CORROSIÓN DENTRO DEL TANQUE Y PROVOCAR FALLA DEL TANQUE. CONSULTE EL MANUAL PARA CONOCER LOS PROCEDIMIENTOS DE INSPECCIÓN. PARA DRENAR EL TANQUE, ABRA LA VALVULA LENTAMENTE E INCLINE EL COMPRESOR PARA ELIMINAR EL AGUA ACUMULADA.	AVERTISSEMENT RÉSERVOIR DE VIDANGE QUOTIDIEN OU APRÈS CHAQUE UTILISATION. L'HABILLAGE DE CONDENSATION PEUT CAUSER LA CORROSION À L'INTÉRIEUR DU RÉSERVOIR AYANT POUR RÉSULTAT L'ÉCHEC DE RÉSERVOIR. VOIR LE MANUEL POUR DES PROCÉDURES D'INSPECTION. À LA VALVE OUVERTE DE RÉSERVOIR DE VIDANGE LENTEMENT ET AU COMPRESSEUR D'INCLINAISSON À L'EAU ACCUMULÉE VIDE.
WARNING INCORRECT USE CAN CAUSE HAZARDS. FOLLOW THESE INSTRUCTIONS. RISK OF BURSTING. MAKE SURE THE COMPRESSOR OUTLET PRESSURE IS SET LOWER THAN THE MAXIMUM OPERATING PRESSURE OF THE SPRAY GUN OR TOOL. BEFORE STARTING THE COMPRESSOR, PULL THE RING ON THE SAFETY VALVE TO MAKE SURE THE VALVE MOVES FREELY. DRAIN WATER FROM TANK AFTER EACH USE. RISK OF FIRE OR EXPLOSION. DO NOT SPRAY A FLAMMABLE OR COMBUSTIBLE LIQUID OR PAINT NEAR SPARKS, FLAMES, PILOT LIGHTS, OR IN A CONFINED AREA. THE SPRAY AREA MUST BE WELL VENTILATED. KEEP COMPRESSOR AT LEAST 30 FEET AWAY FROM SPRAY AREA. DO NOT CARRY AND OPERATE THE COMPRESSOR, OR ANY OTHER ELECTRICAL DEVICE NEAR THE SPRAY AREA. NEVER SMOKE WHEN SPRAYING. USE A MINIMUM OF 20 FEET OF HOSE TO CONNECT A SPRAY GUN TO THE COMPRESSOR. RISK OF PERSONAL INJURY. WEAR ANSI Z87 SAFETY GLASSES. NEVER SPRAY COMPRESSED AIR OR MATERIAL AT SELF OR OTHERS. DO NOT USE COMPRESSED AIR FOR BREATHING. REGULATE PRESSURE TO ZERO BEFORE REMOVING HOSE. RISK OF ELECTRICAL SHOCK. HAZARDOUS VOLTAGE. UNPLUG UNIT BEFORE REMOVING COVER. DO NOT EXPOSE TO RAIN, STORE INDOORS. READ OWNER'S MANUAL FOR COMPLETE SAFETY, OPERATION, AND REPAIR INSTRUCTIONS.	ADVERTENCIA EL USO INCORRECTO PUEDE GENERAR RESGOS. SIGUIR ESTAS INSTRUCCIONES: RIESGO DE ESTALLIDO. ASEGURESE QUE LA VALVULA DE SALIDA DE EL COMPRESOR ESTE REGULADA POR DEBAJO DEL MÁXIMO DE LA PRESIÓN DE OPERACIÓN DE LA PISTOLA ROCIADORA O HERRAMIENTA. ANTES DE ABRANCAR EL COMPRESOR, TRAJER DEL ANILLO EN LA VALVULA DE SEGURIDAD PARA ASEGURARSE QUE LA VALVULA SE MUEVE LIBREMENTE. DRENAR EL AGUA DEL TANQUE DESPUÉS DE CADA USO. RIESGO DE FUEGO O EXPLOSIÓN. NO ROCIAR LIQUIDOS NI PINTURAS INFLAMMABLES CERCA DE CHISPAS, LLAMAS, LLAMAS DE PILOTO O EN ÁREAS CERRADAS. EL ÁREA DE TRABAJO DEBE ESTAR BIÉN VENTILADA. MANTENER EL COMPRESOR ALEJADO POR LO MENOS 30 PIES DEL ÁREA DE PINTURA. NO LLEVAR NI OPERAR EL COMPRESOR NI DISPOSITIVO ELÉCTRICO ALGUNO CERCA DEL ÁREA DEL ROCIADO. NUNCA LLEVAR NI OPERAR EL ROCIADO. USAR UN MÍNIMO DE 20 PIES PARA CONECTAR LA PISTOLA AL COMPRESOR. RIESGO DE DAÑOS PERSONALES. USAR GAFAS DE SEGURIDAD ANSI Z87. NUNCA APUNTAR EL CHORRO DE AIRE COMPRIMIDO O DE MATERIAL QUE SE ESTE ROCIANDO A SÍ MISMO NI A OTRAS PERSONAS. NE RESPIRAR EL AIRE COMPRIMIDO. REDUCIR LA PRESIÓN A CERO ANTES DE DESMONTAR LA MANGUERA. ALTO VOLTAJE. DESCONECTAR LA UNIDAD ANTES DE QUITAR LA CUBIERTA. NO EXPONER A LLUVIA. ALMACENAR EN INTERIORES. PARA SEGURIDAD COMPLETA, OPERACIÓN E INSTRUCCIONES PARA REPARAR, LEER EL MANUAL DEL OPERADOR.	AVERTISSEMENT UNE UTILISATION INCORRECTE PEUT ÊTRE DANGEREUSE. SUIVEZ LES INSTRUCTIONS CI-DESSOUS. RISQUE D'ÉCLATEMENT. ASSUREZ-VOUS QUE LA PRESSION DE SORTIE DU COMPRESSEUR EST RÉGLÉE À UN NIVEAU INFÉRIEUR À LA PRESSON D'UTILISATION MAXIMUM DU PISTOLET VAPORISATEUR OU DE L'ACCESSOIRE. AVANT DE DEMARRER LE COMPRESSEUR, TRÉCZ SUR L'ANNEAU DE LA SOUPAPE DE SÛRETÉ POUR VOUS ASSURER QU'ELLE FONCTIONNE LIBREMENT. VIDANGEZ L'EAU DU RÉSERVOIR À AIR APRÈS CHAQUE UTILISATION. RISQUE D'INCENDIE OU D'EXPLOSION. NE PAS VAPORISER UN LIQUIDE OU UN PENTURE INFLAMMABLE OU COMBUSTIBLE. PRES D'ÉTINCILLES, DE FLAMMES, DE VÉLICES NI DANS UN ENDROIT RESTREINT OU RÉSERVÉ. L'AIRE DE VAPORISATION DOIT ÊTRE BIEN AÉRÉE. GARDEZ LE COMPRESSEUR À UNE DISTANCE D'AU MOINS 30 PIES DE LA SURFACE À VAPORISER. NE PORTEZ PAS LE COMPRESSEUR ET NE L'UTILISEZ PAS NI AUCUN AUTRE APPAREIL ÉLECTRIQUE À PROXIMITÉ DE L'AIRE DE VAPORISATION. NE FUMEZ JAMAIS QUAND VOUS VAPORISEZ. UTILISEZ UN TUBÉ DE PROTECTION D'AU MOINS 20 PIES DE LONGUEUR POUR CONNECTER LA PISTOLET VAPORISATEUR AU COMPRESSEUR. RIESGO DE LESIONES CORPORALES. PORTEZ DES LUNETTES DE PROTECTION ANSI Z87. NE DIRIGEZ JAMAIS L'AIR COMPRIMÉ OU DES MATERIAUX VERS SOI OU VERS AUTRUI. NE JAMAIS UTILISER DE L'AIR COMPRIMÉ POUR LA RESPIRATION. RÉGLEZ LA PRESION À ZÉRO AVANT DE RETIRER LE TUYAU. RISQUE DE CHOC ÉLECTRIQUE. HAUTE TENSION. DÉCONNECTEZ LA MACHINE AVANT D'ÔTER LE BOITIER. NE VOUS EXPOSEZ PAS À LA PLUIE. LE COMPRESSEUR A LA PLUIE. REMETTES-LE À L'INTÉRIEUR. Lisez le manuel de l'utilisateur pour des instructions complètes concernant la sécurité, l'utilisation et les réparations.
CAUTION HOLD HOSE FIRMLY TO PREVENT HOSE WHIP.	ATENCIÓN SOSTIENE LA MANGUERA CON FIRMEZA PARA EVITAR EL EFFECTO DE LA CORREA.	ATTENTION BIEN TENIR LE TUYAU POUR ÉVITER UN A-COUP.

GLOSARIO

CFM: Pies cúbicos por minuto.

PSI: Libras por pulgada cuadrada; una unidad de medida de presión.

SCFM: pies cúbicos estándar por minuto; unidad de medida de suministro de aire.

Certificación de código: Los productos que tienen una o más de las indicaciones siguientes: **UL, CUL, ETL, CETL**, han sido evaluados por los laboratorios de seguridad independientes certificados de **OSHA** y cumplen los estándares de seguridad de Underwriters Laboratories cuya aplicación corresponda.

RPM: Revoluciones por minuto; es una medida de la frecuencia de rotación.

BPM: Golpes por minuto (del inglés, Beats Per Minute).

NPT: Rosca de tubería nacional (del inglés, National Pipe Thread) (rosca cónica); es un estándar de EE. UU. para roscas cónicas utilizadas en caños y accesorios roscados.

ID: Diámetro interno

DeWALT Industrial Tool Co., 701 Joppa Road, Baltimore, MD 21286

Part No. DWMT70775 70100721 Copyright © 2014 **DeWALT**

The following are trademarks for one or more **DeWALT** power tools: the yellow and black color scheme; the “D” shaped air intake grill; the array of pyramids on the handgrip; the kit box configuration; and the array of lozenge-shaped humps on the surface of the tool.