

*If you have questions or comments, contact us.
Pour toute question ou tout commentaire, nous contacter.
Si tiene dudas o comentarios, contáctenos.*

1-800-4-DEWALT • www.dewalt.com

**INSTRUCTION MANUAL
GUIDE D'UTILISATION
MANUAL DE INSTRUCCIONES**

INSTRUCTIVO DE OPERACIÓN, CENTROS DE SERVICIO
Y PÓLIZA DE GARANTÍA. **ADVERTENCIA:** LÉASE ESTE
INSTRUCTIVO ANTES DE USAR EL PRODUCTO.

DEWALT®

**DW7350
Mobile Planer Stand
Établi mobile de raboteuse
Soporte móvil para cepillo**

DW7350 MOBILE PLANER STAND

Check the contents of your planer stand carton to make sure you received all the parts. In addition to this instruction sheet, the carton should contain:

COMPONENTS

- | | |
|-------------------------|---------------------|
| A. Long base rails | G. Legs |
| B. Short base rails | H. Short sides |
| C. Pivot wheel assembly | I. Long sides |
| D. Base wheels | J. Support brackets |
| E. Wheel brackets | K. Shelf |
| F. Rubber leveling feet | L. MDF Top |

HARDWARE INCLUDED

- M. Cross head shoulder bolts (4)
- N. 75 mm partially threaded hex bolts (4)
- O. 60 mm hex bolts (4)
- P. 50 mm hex bolts (4)
- Q. Short carriage bolts (30)
- R. Lock washers (46)
- S. Flat washers (4)
- T. Nuts (48)
- U. Lock nuts (2)

FIG. 1

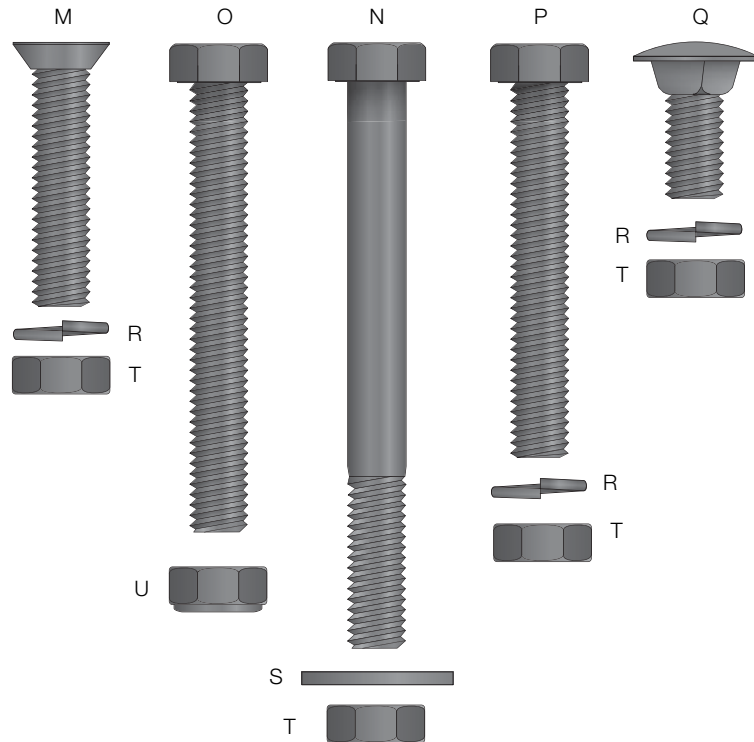
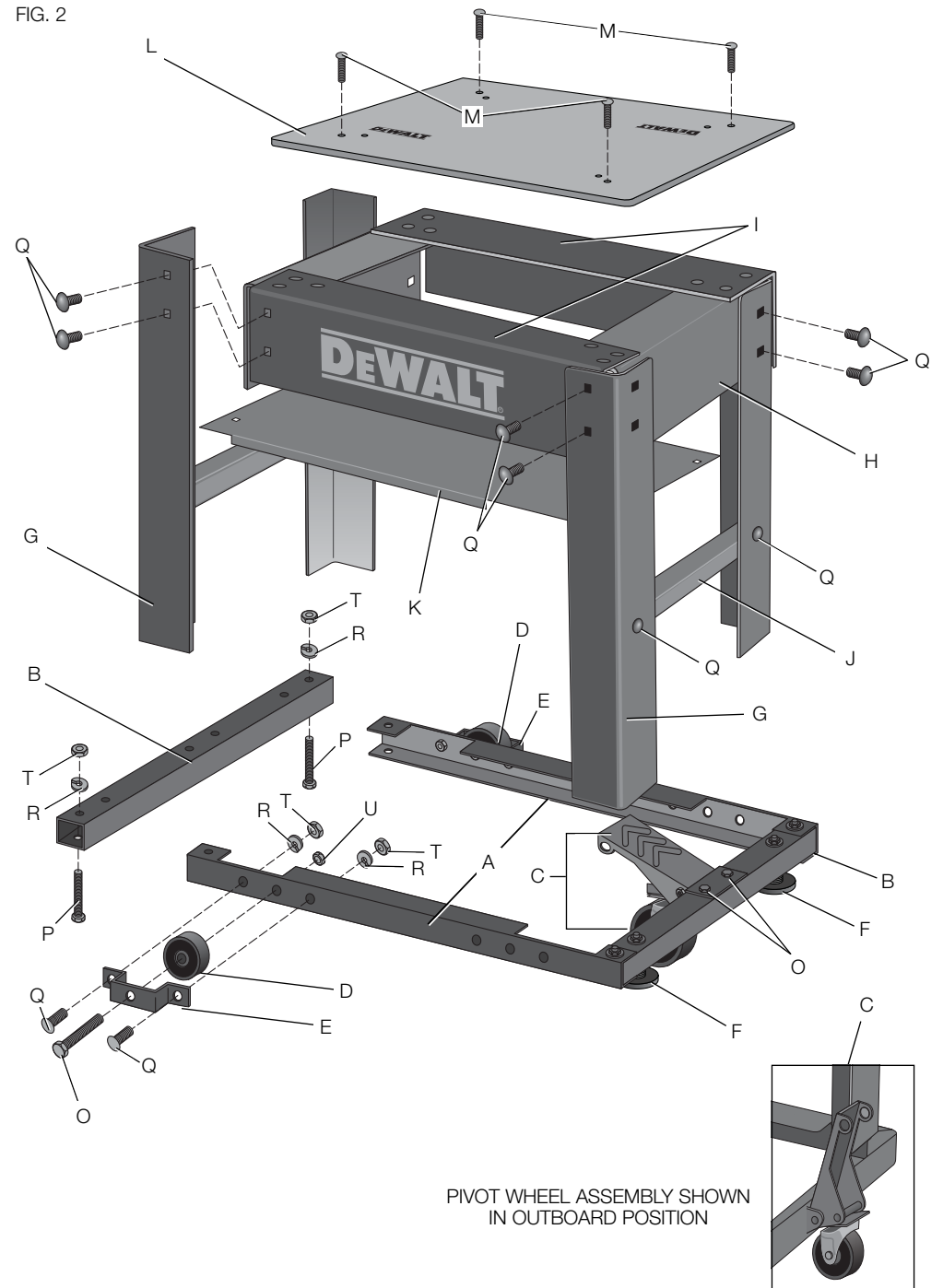


FIG. 2



PIVOT WHEEL ASSEMBLY SHOWN
IN OUTBOARD POSITION

Definitions: Safety Guidelines

The definitions below describe the level of severity for each signal word. Please read the manual and pay attention to these symbols.

⚠ DANGER: Indicates an imminently hazardous situation which, if not avoided, **will** result in death or serious injury.

⚠ WARNING: Indicates a potentially hazardous situation which, if not avoided, **could** result in death or serious injury.

⚠ CAUTION: Indicates a potentially hazardous situation which, if not avoided, **may** result in minor or moderate injury.

NOTICE: Indicates a practice **not related to personal injury** which, if not avoided, **may** result in property damage.

IF YOU HAVE ANY QUESTIONS OR COMMENTS ABOUT THIS OR ANY DEWALT TOOL, CALL US TOLL FREE AT: **1-800-4-DEWALT (1-800-433-9258)**.



WARNING: To reduce the risk of injury, read the instruction manual.

Safety Rules and Warnings for Mobile Planer Stand

⚠ WARNING: Failure to follow these rules may result in serious personal injury.

- **This product was designed to be used as a stand for planers.** The stand will support up to 300 lbs (136 kg). Any misuse or abuse can result in product damage or personal injury.
- **Do not stand on the work table.** It is unsafe to climb, sit or stand on the stand. Do not use the support extensions as a ladder or scaffolding.
- **Properly secure the planer to the stand before operation.** Follow the mounting instructions carefully. Fasten the tool to the MDF top securely as instructed.
- **Place the stand on a flat and level surface to prevent rocking or tipping.**
- **Make sure the planer stand is firmly on the floor, the foot pedal is down and the wheel is raised before use.**
- **Do not modify or use the stand for any operation for which it is not intended.**
- **ALWAYS** use eye protection. All users and bystanders must wear eye protection that conforms to ANSI Z87.1.
- **ALWAYS** use safety glasses. Everyday eyeglasses are NOT safety glasses. Also use face or dust mask if cutting operation is dusty. **ALWAYS WEAR CERTIFIED SAFETY EQUIPMENT:**
 - ANSI Z87.1 eye protection (CAN/CSA Z94.3),
 - ANSI S12.6 (S3.19) hearing protection,
 - NIOSH/OSHA/MSHA respiratory protection.

COMPONENTS (FIG. 1, 2)

⚠ WARNING: Never modify the stand or any part of it. Damage or personal injury could result.

Refer to Page 1 for a **Components List**.

ASSEMBLY AND ADJUSTMENTS (FIG. 1, 2)

⚠ WARNING: For your own safety, read the tool instruction manual before using any accessory. Failure to heed these warnings may result in personal injury and serious damage to the planer and the accessory. When servicing this tool, use only identical replacement parts.

Recommended Tools for Assembly

- 13 mm open end wrench
- Cross head screwdriver
- 13 mm socket and ratchet

Assemble the Frame Base and Attach Wheels

1. Slide the short base rails (B) into the long base rails (A) and attach using the four 50 mm hex bolts (P). Each bolt should be fastened with a lock washer (R) and nut (T). Use 13 mm socket or wrench to tighten. This will give you the frame base.
2. Attach the 2 wheel brackets (E) to the frame base using 2 carriage bolts (Q), 2 lock washers (R), and 2 nuts (T).

NOTE: The outside carriage bolt (Q) is used to attach the leg and wheel bracket to the base. It will need to be left off until the legs are attached.

3. Align the base wheels (D) between the wheel bracket (E) and the long base rails.
4. Place the 60 mm hex bolt (O) through the holes in the bracket, wheel and long base rail until the threads protrude on the inside of the frame. Fasten the wheels to the base with a lock nut (U) until the nut is snug and the wheel turns freely.
5. Opposite the wheels, install the rubber leveling feet (F).

Attach the Pivot Wheel Assembly

The pivot wheel assembly (C) for your planer stand can be mounted inboard or outboard of the base.

1. Align the holes on the pivot wheel assembly with the holes on the short base rails of the frame.
2. Position the pivot wheel assembly (C) in the inboard or outboard position.
3. Insert the two 60 mm hex bolts (O) through the holes in the pedal and the rails of the frame.
4. Secure the pedal to the base by tightening the lock washers (R) and nuts (T) with a 13 mm socket and wrench.

⚠ CAUTION: When the pedal is in the outboard position on the stand, keep the mobile planer stand out of walkways. Tripping and/or other personal injury may result.

Attach the Legs, Support Brackets and MDF Top

1. Place the base frame in the upright position to attach the legs (G) to the corners using 4 carriage bolts (Q). Tighten the nuts (T) and lock washers (R) with a 13 mm socket or wrench.
2. Attach the short sides (H) to the inside of the legs (G) using 8 carriage bolts (Q), 8 lock washers (R), and 8 nuts (T). Use the socket or wrench to tighten. Be sure the holes in the sides are aligned with the locating divots provided.
3. Attach the long sides (I) to the inside of the legs (G), overlapping the short sides, using 8 carriage bolts (Q), 8 lock washers (R), and 8 nuts (T). Use the socket or wrench to tighten. Be sure the holes in the sides are aligned with the locating divots provided.
4. Attach the side support brackets (J) to the inside middle of the legs (G) with 4 carriage bolts (Q), 4 lock washers (R) and 4 nuts (T). Use 13 mm socket or wrench to tighten.
5. Attach the MDF top (L) to the sides (I) using the 4 cross head shoulder bolts (M), 4 each of the lock washers (R) and nuts (T).

Install the Shelf

1. Lay the shelf (K), lip down, on top of the side support brackets.
2. Insert 4 carriage bolts (Q) through the holes in the shelf and the side support brackets.
3. Secure the shelf with lock washers (R) and nuts (T). Use 13 mm socket or wrench to tighten.

Attach the Planer to the Stand (Fig. 1, 3)

⚠ WARNING: STABILITY HAZARD. Refer to your tool manufacturer's instructions regarding the securing of your planer to a stand or supporting surface. Secure the tool according to both the instructions in this manual and those in your tool manufacturer's manual before operating. Failure to heed these warnings may result in serious personal injury and serious damage to the tool.

⚠ WARNING: To reduce the risk of injury, turn planer off, disconnect the tool from the power source before assembling the planer to the stand. An accidental start-up can cause injury.

⚠ WARNING: For your own safety, it is recommended that two people carry this machine or serious injury could result.

Your planer stand is set up to accept the DW733, DW734 or DW735 DEWALT thickness planers.

1. Carefully lift and place the planer on the MDF top (L).
2. Align the holes in the planer base with corresponding holes on the MDF top.
3. Insert four 75 mm hex head bolts (N) through the planer and base and secure them with the flat washers (S) and nuts (T) provided.

IF YOU DO NOT HAVE A DEWALT PLANER, BUT WISH TO USE THE DW7350 MOBILE PLANER STAND:

⚠ WARNING: Center your planer on the stand. Failure to center the planer could lead to an unstable assembly. Serious injury could result.

1. Mark the placement of the holes on the MDF top (L).
2. Drill marked holes in the MDF top.
3. Attach your planer to the MDF top with the hex head bolts (N), flat washers (S), and nuts (T) provided.

NOTE: Do not drill more than 4 holes. One bolt per corner is sufficient. Properly sized hardware (obtained locally) may be required to securely attach the planer (if not DEWALT) to the MDF top.

⚠ WARNING: Planers **MUST** be mounted in the orientation shown in Figure 3.

IMPORTANT: The planer **MUST** be positioned so the tool is bolted squarely to the MDF top. If this is not possible, please call **1-800-4-DEWALT (1-800-433-9258)** for technical assistance.

⚠ WARNING: Any tool used with this stand must be properly positioned and secured to ensure stability and to prevent inadvertent tipping.

To Adjust the Rubber Leveling Feet

The two rubber feet (F) of the mobile planer stand are installed for additional support on slightly uneven floors.

1. Loosen the 2 nuts that hold one of the rubber feet of the mobile base.
2. Grasp the nuts with a wrench and turn the foot until it is extended or retracted to the level required.
3. Re-tighten the bolts.
4. Repeat for the other rubber foot.

NOTE: Once assembly is complete and before first use, check each bolt and nut to ensure it is properly tightened, and that all mechanisms operate properly.

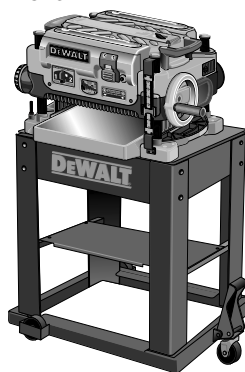
OPERATION

⚠ WARNING: To reduce the risk of serious personal injury, turn tool off and disconnect tool from power source before installing and removing accessories, before adjusting or changing set-ups or when making repairs. An accidental start-up can cause injury.

Make sure the planer stand is firmly on the floor, the foot pedal down and the wheel raised before use.

⚠ WARNING: Do not attempt to move the planer on the stand if the planer is not bolted down. Serious personal injury may result.

FIG. 3



To Move Planer Stand

1. Step on the foot pedal to unlock and lift stand.
2. Firmly grasp the handles on your planer. Move to a new location.
3. Push the foot pedal up, dropping the base into a locked position before you resume planing.

⚠ CAUTION: Use caution when moving the planer stand. Tipping can occur if wheels are stopped abruptly by encountering debris on the floor or other irregularities in travel path.

MAINTENANCE

⚠ WARNING: To reduce the risk of injury, turn unit off and disconnect it from power source before installing and removing accessories, before adjusting or when making repairs. An accidental start-up can cause injury.

Cleaning

⚠ WARNING: Never use solvents or other harsh chemicals for cleaning the non-metallic parts of the tool. These chemicals may weaken the plastic materials used in these parts. Use a cloth dampened only with water and mild soap. Never let any liquid get inside the tool; never immerse any part of the tool into a liquid.

Accessories

⚠ WARNING: Since accessories, other than those offered by DEWALT, have not been tested with this product, use of such accessories with this tool could be hazardous. To reduce the risk of injury, only DEWALT recommended accessories should be used with this product.

Recommended accessories for use with your tool are available at extra cost from your local dealer or authorized service center. If you need assistance in locating any accessory, please contact DEWALT Industrial Tool Co., 701 East Joppa Road, Baltimore, MD 21286, call 1-800-4-DEWALT (1-800-433-9258) or visit our website: www.dewalt.com.

Repairs

To assure product SAFETY and RELIABILITY, repairs, maintenance and adjustment (including brush inspection and replacement) should be performed by a DEWALT factory service center, a DEWALT authorized service center or other qualified service personnel. Always use identical replacement parts.

Register Online

Thank you for your purchase. Register your product now for:

- **WARRANTY SERVICE:** Registering your product will help you obtain more efficient warranty service in case there is a problem with your product.
- **CONFIRMATION OF OWNERSHIP:** In case of an insurance loss, such as fire, flood or theft, your registration of ownership will serve as your proof of purchase.
- **FOR YOUR SAFETY:** Registering your product will allow us to contact you in the unlikely event a safety notification is required under the Federal Consumer Safety Act.

Register online at www.dewalt.com/register.

Three Year Limited Warranty

DEWALT will repair, without charge, any defects due to faulty materials or workmanship for three years from the date of purchase. This warranty does not cover part failure due to normal wear or tool abuse. For further detail of warranty coverage and warranty repair information, visit www.dewalt.com or call 1-800-4-DEWALT (1-800-433-9258). This warranty does not apply to accessories or damage caused where repairs have been made or attempted by others. This warranty is the only warranty offered by DEWALT, and any implied warranties shall not apply. DEWALT will not be responsible for any incidental or consequential damages. This warranty gives you specific legal rights and you may have other rights which vary in certain states or provinces. Some states do not allow the exclusion or limitation of incidental or consequential damages, or limitations on how long an implied warranty lasts, so the above limitations or exclusions may not apply to you.

In addition to the warranty, DEWALT tools are covered by our:

1 YEAR FREE SERVICE

DEWALT will maintain the tool and replace worn parts caused by normal use, for free, any time during the first year after purchase.

90 DAY MONEY BACK GUARANTEE

If you are not completely satisfied with the performance of your DEWALT Power Tool, Laser, or Nailer for any reason, you can return it within 90 days from the date of purchase with a receipt for a full refund – no questions asked.

LATIN AMERICA: This warranty does not apply to products sold in Latin America. For products sold in Latin America, see country specific warranty information contained in the packaging, call the local company or see website for warranty information.

FREE WARNING LABEL REPLACEMENT: If your warning labels become illegible or are missing, call 1-800-4-DEWALT (1-800-433-9258) for a free replacement.

ÉTABLI MOBILE DE RABOTEUSE DW7350

Vérifier que le carton de votre établi de raboteuse contient toutes les pièces d'origines. En plus de ces directives d'utilisation, ce carton devrait contenir :

DESCRIPTION

- | | |
|-------------------------------------|-------------------------|
| A. Rails longs de base | G. Pieds |
| B. Rails courts de base | H. Côtés courts |
| C. Dispositif de roulette pivotante | I. Côtés longs |
| D. Roulettes de la base | J. Supports de fixation |
| E. Montures de roulette | K. Étagère |
| F. Patins de réglage en caoutchouc | L. Tablette MDF |

LES ÉLÉMENTS DE FIXATIONS COMPRENENT

- M. Boulons à épaulement en croix (4)
 N. Boulons hexagonaux partiellement taraudés de 75 mm (4)
 O. Boulons hexagonaux de 60 mm (4)
 P. Boulons hexagonaux de 50 mm (4)
 Q. Boulons courts à tête bombée (30)
 R. Rondelles de blocage (46)
 S. Rondelles plates (4)
 T. Écrous (48)
 U. Contre-écrous (2)

FIG. 1

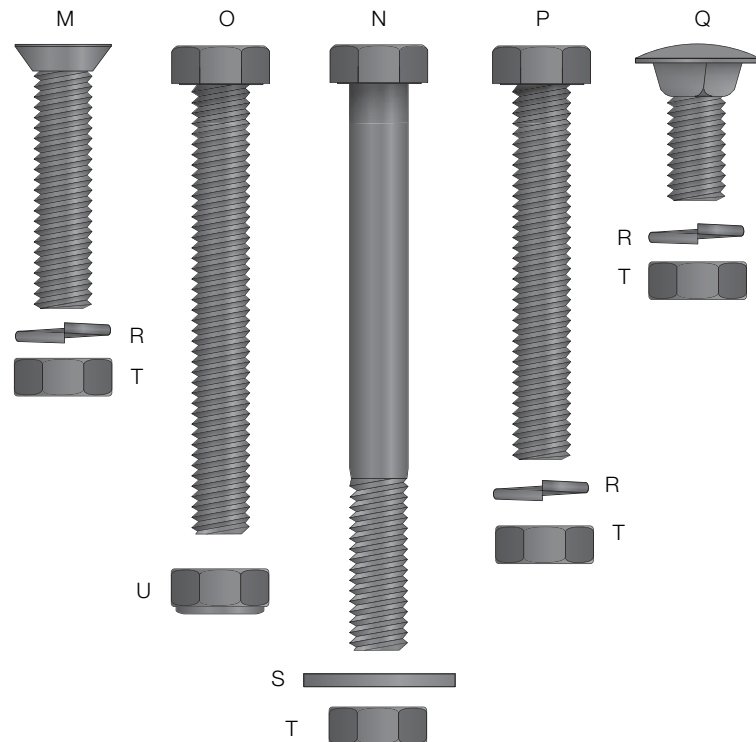
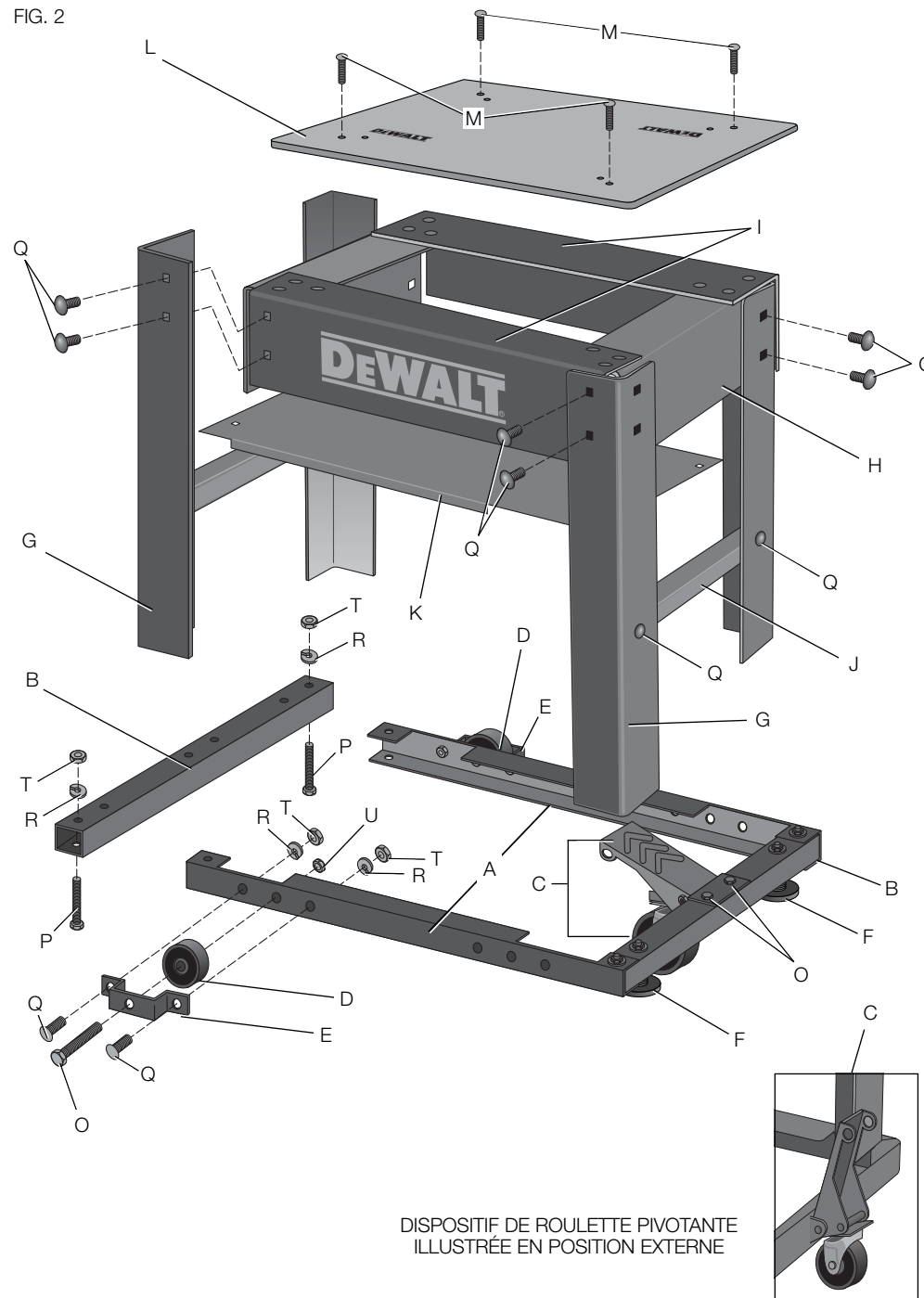


FIG. 2



DISPOSITIF DE ROULETTE PIVANTE ILLUSTRÉE EN POSITION EXTERNE

Français

Définitions : lignes directrices en matière de sécurité

Les définitions ci-dessous décrivent le niveau de danger pour chaque mot-indicateur employé. Lire le mode d'emploi et porter une attention particulière à ces symboles.

⚠ DANGER : indique une situation dangereuse imminente qui, si elle n'est pas évitée, entraînera la mort ou des blessures graves.

⚠ AVERTISSEMENT : indique une situation potentiellement dangereuse qui, si elle n'est pas évitée, pourrait entraîner la mort ou des blessures graves.

⚠ ATTENTION : indique une situation potentiellement dangereuse qui, si elle n'est pas évitée, pourrait entraîner des blessures légères ou modérées.

AVIS : indique une pratique ne posant aucun risque de dommages corporels mais qui par contre, si rien n'est fait pour l'éviter, pourrait poser des risques de dommages matériels.

POUR TOUTE QUESTION OU REMARQUE AU SUJET DE CET OUTIL OU DE TOUT AUTRE OUTIL DEWALT, COMPOSEZ LE NUMÉRO SANS FRAIS : 1-800-4-DEWALT (1-800-433-9258).



AVERTISSEMENT : afin de réduire le risque de blessures, lire le mode d'emploi de l'outil.

Avertissements et consignes de sécurité propres aux établis mobiles de raboteuse

⚠ AVERTISSEMENT : tout manquement aux règles suivantes comporte des risques de dommages corporels graves.

- Ce produit a été conçu pour être utilisé comme établi pour raboteuses. Il peut soutenir jusqu'à 136 kg (300 lbs). Tout emploi abusif ou erroné de ce produit comporte des risques de dommages corporels ou matériels.
- Ne pas monter sur la table de travail. Il est dangereux de grimper, s'asseoir ou de se tenir debout sur l'établi. Ne pas utiliser les rallonges comme échelle ou échafaudage.
- Arrimer soigneusement la raboteuse à l'établi avant toute utilisation. Suivre soigneusement les instructions d'installation. Arrimer soigneusement l'outil à la tablette MDF comme indiqué.
- Disposer la plateforme sur une surface plane et stable pour prévenir toute chute ou culbute.
- S'assurer que l'établi de raboteuse est fermement planté au sol, la pédale rabattue et la roue en position haute avant toute utilisation.
- Ne pas modifier la plateforme ou l'utiliser à des fins pour lesquelles elle n'a pas été conçue.
- Porter **SYSTÉMATIQUEMENT** une protection oculaire. Tout utilisateur ou individu présent doit porter une protection oculaire homologuée ANSI Z87.1.
- Porter **SYSTÉMATIQUEMENT** des lunettes de protection. Les lunettes courantes NE sont PAS des lunettes de protection. Utiliser aussi un masque antipoussières si la découpe doit en produire beaucoup. PORTER SYSTÉMATIQUEMENT UN ÉQUIPEMENT DE SÉCURITÉ HOMOLOGUÉ :
 - Protection oculaire ANSI Z87.1 (CAN/CSA Z94.3 ;
 - Protection auditive ANSI S12.6 (S3.19) ;
 - Protection des voies respiratoires NIOSH/OSHA/MSHA

DESCRIPTION (FIG. 1, 2)

⚠ AVERTISSEMENT : ne jamais modifier l'outil ni aucun de ses composants, car cela pose des risques de dommages corporels ou matériels.

Reportez-vous à la page 1 pour la description des pièces.

ASSEMBLAGE ET RÉGLAGE (FIG. 1, 2)

⚠ AVERTISSEMENT : pour votre sécurité, lire le manuel de l'utilisateur respectif à l'outil avant l'utilisation de tout accessoire. Tout manquement à ces recommandations augmente les risques de dommages corporels, et les risques d'endommager la raboteuse et ses accessoires. Lors de la maintenance de cet outil, n'utiliser que des pièces de rechange identiques.

Outils Recommandés pour L'assemblage

- Clé ouverte de 13 mm
- Tournevis pour vis en croix
- Douille et cliquet de 13 mm

Assemblage de la base du châssis et des roulettes

1. Insérez les rails courts de base (B) dans les rails longs de base (A) puis arrimez-les à l'aide de quatre boulons hexagonaux de 50 mm (P). Chaque boulon doit être resserré avec une rondelle de blocage (R) et un écrou (T). Utilisez la douille ou la clé de 13 mm pour les resserrer. Cela constituera la base du châssis.

2. Rattachez les 2 montures de roulette (E) à la base du châssis à l'aide de 2 boulons à tête bombée (Q), 2 rondelles de blocage (R) et 2 écrous (T).

REMARQUE : le boulon à tête bombée externe (Q) est utilisé pour rattacher le pied et la monture de roulette à la base. Il sera nécessaire de le laisser de côté jusqu'à ce que les pieds soient rattachés.

3. Alignez les roulettes de la base (D) entre la monture de roulette (E) et les rails longs de base.

4. Insérez un boulon hexagonal de 60 mm (Q) dans les trous de la monture, de la roue et du rail long de base jusqu'à ce que le filetage dépasse sur l'intérieur du châssis. Resserrez les roues à la base à l'aide d'un contre-écrou (U) jusqu'à ce que l'écrou soit bien serré alors que les roues tournent librement.

5. À l'opposé des roues, installez les patins de réglage en caoutchouc (F).

Installation du Dispositif de Roulette Pivotante

Le dispositif de roulette pivotante (C) de votre établi de raboteuse peut être monté sur l'intérieur ou l'extérieur de la base.

1. Alignez les trous du dispositif de roulette pivotante sur les trous des rails courts de base du châssis.

2. Installez le dispositif de roulette pivotante (C) sur la position interne ou externe.

3. Insérez les boulons hexagonaux de 60 mm (O) dans les trous du dispositif et dans les rails du châssis.

4. Fixez le dispositif à la base en resserrant les rondelles de blocage (R) et les écrous (T) à l'aide de la douille ou de la clé de 13 mm.

⚠ ATTENTION : lorsque le dispositif de roulette est en position externe sur l'établi, maintenir l'établi mobile de raboteuse hors de tout lieu de passage. Cela permettra d'éviter de faire trébucher quelqu'un et limitera tout risque de dommages corporels.

Installation des Pieds, Supports de Fixation et la Tablette MDF

1. Placez le châssis de la base en position verticale et rattachez les pieds (G) dans chaque coin à l'aide de 4 boulons à tête bombée (Q). Resserrez les écrous (T) et les rondelles de blocage (R) à l'aide de la douille ou de la clé de 13 mm.

2. Rattachez les côtés courts (H) sur l'intérieur des pieds (G) à l'aide de 8 boulons à tête bombée (Q), 8 rondelles de blocage (R) et 8 écrous (T). Utilisez la douille ou la clé pour les resserrer. Assurez-vous que les trous sur les côtés s'encastrent bien sur les protubérances prévues à cet effet.

- Rattachez les côtés longs (I) sur l'intérieur des pieds (G), en dépassant des côtés courts, à l'aide de 8 boulons à tête bombée (Q), 8 rondelles de blocage (R) et 8 écrous (T). Utilisez la douille ou la clé pour les resserrer. Assurez-vous que les trous sur les côtés s'encastrent bien sur les protubérances prévues à cet effet.
- Fixez les supports de fixation latéraux (J) sur le centre interne des pieds (G) à l'aide de 4 boulons à tête bombée (Q), 4 rondelles de blocage (R) et 4 écrous (T). Utilisez la douille ou la clé de 13 mm pour les resserrer.
- Rattachez la tablette MDF (L) aux côtés (I) à l'aide des 4 boulons à épaulement en croix (M), 4 rondelles de blocage (R) et 4 écrous (T).

Installation de L'étagère

- Posez l'étagère (K), la lèvre vers le bas, sur les supports de fixation latéraux.
- Insérez 4 boulons à tête bombée (Q) dans les trous de l'étagère et des supports de fixation latéraux.
- Arrimez l'étagère à l'aide des rondelles de blocage (R) et des écrous (T). Utilisez la douille ou la clé de 13 mm pour les resserrer.

Fixation de la Raboteuse à L'établi (Fig. 1, 3)

⚠️ AVERTISSEMENT : RISQUES D'INSTABILITÉ. Pour arrimer votre raboteuse à l'établi, ou à une surface de support, se reporter aux instructions du fabricant de votre outil. Avant toute utilisation, arrimer soigneusement l'outil en suivant les instructions de ce manuel et de celui du fabricant de l'outil. Tout manquement à ces avertissements pose des risques de dommages corporels et matériels graves.

⚠️ AVERTISSEMENT : pour réduire tout risque de dommages corporels, arrêter et débrancher la raboteuse du secteur avant de la monter sur l'établi. Tout démarrage accidentel comporte des risques de dommages corporels.

⚠️ AVERTISSEMENT : pour votre sécurité, il est recommandé de transporter cette machine à deux pour éviter tout dommage corporel sérieux.

Votre établi de raboteuse a été conçu pour accepter les raboteuses DEWALT DW733, DW734 ou DW735.

- Soulevez prudemment la raboteuse et placez-la sur la tablette MDF (L).
- Alignez les trous sur la base de la raboteuse sur les trous correspondants de la tablette MDF.
- Insérez quatre boulons à tête hexagonale de 75 mm (N) au travers de la raboteuse et de la base puis resserrez-les soigneusement à l'aide des rondelles plates (S) et des écrous (T) fournis à cet effet.

SI VOUS NE POSSÉDEZ PAS UNE RABOTEUSE DEWALT, MAIS DÉSIREZ UTILISER L'ÉTABLI MOBILE DE RABOTEUSE DW7350 :

⚠️ AVERTISSEMENT : centrer la raboteuse sur l'établi. Si la raboteuse n'est pas centrée sur l'établi, le dispositif sera instable et cela posera des risques de dommages corporels graves.

- Marquez l'emplacement des trous sur la tablette MDF (L).
- Percez des trous dans la tablette MDF sur le tracé.
- Fixez la raboteuse à la tablette MDF à l'aide des boulons à tête hexagonale (N), des rondelles plates (S) et des écrous (T) fournis à cet effet.

REMARQUE : ne pas percer plus de 4 trous. Un boulon par coin est suffisant. Il sera peut-être nécessaire d'utiliser du matériel supplémentaire (acheté localement) pour fixer solidement une raboteuse (non DEWALT) sur la tablette MDF.

⚠️ AVERTISSEMENT : les raboteuses DOIVENT être installées comme illustré en figure 3.

IMPORTANT : la raboteuse DOIT être positionnée de façon à ce que l'outil soit arrimé parfaitement à la tablette MDF. Dans le cas contraire, veuillez appeler le **1-800-4-DEWALT** (1-800-433-9258) pour obtenir l'assistance technique nécessaire.

⚠️ AVERTISSEMENT : les outils utilisés avec cet établi doivent être positionnés et arrimés correctement pour en assurer la stabilité et en prévenir la culbute.

Réglage des Patins de Réglage en Caoutchouc

Les deux patins en caoutchouc (F) de l'établi mobile de raboteuse servent de support complémentaire en cas de sols légèrement irréguliers.

- Dévissez les 2 écrous maintenant l'un des patins en caoutchouc à la base mobile.
- Maintenez les écrous à l'aide d'une clé et faites pivoter le patin pour allonger ou réduire sa hauteur jusqu'au niveau requis.
- Resserrez les boulons.
- Répétez l'opération pour l'autre patin en caoutchouc.

REMARQUE : une fois l'installation terminée et avant toute première utilisation, vérifier que tous les boulons et écrous sont bien resserrés et que tous les mécanismes fonctionnent correctement.

OPERACIÓN

⚠️ ADVERTENCIA: para reducir el riesgo de lesiones personales graves, apague la herramienta y desconéctela de la fuente de alimentación antes de instalar y retirar accesorios, ajustar o cambiar configuraciones o realizar reparaciones. Un arranque accidental podría causar lesiones.

S'assurer que la raboteuse est fermement implantée sur le sol, la pédale rabattue et la roue élevée avant toute utilisation.

⚠️ AVERTISSEMENT : ne jamais tenter de transporter la raboteuse sur son support si elle n'y est pas solidement arrimée. De sérieux dommages corporels pourraient en résulter.

Pour Déplacer le Support de Raboteuse

- Appuyer sur la pédale pour la déverrouiller et surélever le support.
- Attraper fermement les poignées de la raboteuse. La transporter jusqu'à son nouvel emplacement.
- Relever la pédale, pour verrouiller la base en place avant de reprendre le rabotage.

⚠️ ATTENTION : prendre des précautions pour déplacer l'établi de raboteuse. Il pourrait culbuter si ses roulettes s'arrêtaient abruptement en butant contre des débris sur le sol ou tout autre obstacle sur son chemin.

MAINTENANCE

⚠️ AVERTISSEMENT : pour réduire le risque de blessures, éteindre l'appareil et le débrancher avant d'installer ou de retirer tout accessoire et avant d'effectuer des réglages ou des réparations. Un démarrage accidentel peut provoquer des blessures.

Nettoyage

⚠️ AVERTISSEMENT : ne jamais utiliser de solvants ni d'autres produits chimiques puissants pour nettoyer les pièces non métalliques de l'outil. Ces produits chimiques peuvent affaiblir les matériaux de plastique utilisés dans ces pièces. Utiliser un chiffon humecté d'eau et de savon doux. Ne jamais laisser de liquide pénétrer dans l'outil et n'immerger aucune partie de l'outil dans un liquide.

Accessoires

⚠️ AVERTISSEMENT : puisque les accessoires autres que ceux offerts par DEWALT n'ont pas été testés avec ce produit, leur utilisation pourrait s'avérer dangereuse. Pour réduire le risque de blessures, utiliser exclusivement les accessoires DEWALT recommandés avec le présent produit.

Les accessoires recommandés pour cet outil sont vendus séparément au centre de service de votre région. Pour obtenir de l'aide concernant l'achat d'un accessoire, communiquer avec DEWALT Industrial Tool Co., 701 East Joppa Road, Baltimore, MD 21286 aux États-Unis; composer le 1 800 433-9258 (1 800 4-DEWALT) ou visiter notre site Web : www.dewalt.com.

Réparations

Pour assurer la SÉCURITÉ et la FIABILITÉ du produit, les réparations, l'entretien et les réglages doivent être réalisés (cela comprend l'inspection et le remplacement du balai) par un centre de réparation en usine DEWALT, un centre de réparation agréé DEWALT ou par d'autres techniciens qualifiés. Toujours utiliser des pièces de rechange identiques.

Registre en ligne

Merci pour votre achat. Enregistrez dès maintenant votre produit:

- **RÉPARATIONS SOUS GARANTIE:** cette carte remplie vous permettra de vous prévaloir du service de réparations sous garantie de façon plus efficace dans le cas d'un problème avec le produit.
- **CONFIRMATION DE PROPRIÉTÉ:** en cas de perte provoquée par un incendie, une inondation ou un vol, cette preuve de propriété vous servira de preuve auprès de votre compagnie d'assurances.
- **SÉCURITÉ:** l'enregistrement de votre produit nous permettra de communiquer avec vous dans l'éventualité peu probable de l'envoi d'un avis de sécurité régi par la loi fédérale américaine de la protection des consommateurs.

Registre en ligne à www.dewalt.com/register.

Garantie limitée de trois ans

DEWALT réparera l'outil, à ses frais, tout défaut pour vice de matière ou de fabrication pendant trois ans à compter de la date d'achat. Cette garantie ne couvre pas l'usure normale de l'appareil ou tout usage abusif. Pour toute information complémentaire relative à la couverture de la garantie et aux réparations prises en charge par celle-ci, visitez le site : www.dewalt.com ou appelez le 1-800-4-DEWALT (1-800-433-9258). Cette garantie ne s'applique pas aux accessoires, ou à tout dommage causé par des réparations effectuées ou tentées par un tiers. Cette garantie est la seule garantie offerte par DEWALT et toute garantie implicite ne sera pas prise en compte. DEWALT ne pourra être tenu responsable de tout dommage accessoire ou indirect. Cette garantie confère des droits légaux particuliers à l'acheteur, mais celui-ci pourrait aussi bénéficier d'autres droits variant d'un territoire à l'autre. Certains états n'autorisent aucune exclusion ou limitation de garantie contre tout préjudice accessoire ou indirect, ou limitation sur la durée implicite de garantie, aussi il se peut que les limitations ou exclusions susdites ne vous soit pas applicable.

En plus de la présente garantie, les outils DEWALT sont couverts par notre :

CONTRAT D'ENTRETIEN GRATUIT D'UN AN

DEWALT entretiendra l'outil et remplacera les pièces usées au cours d'une utilisation normale et ce, gratuitement, pendant une période d'un an à compter de la date d'achat.

GARANTIE DE REMBOURSEMENT DE 90 JOURS

Si l'acheteur n'est pas entièrement satisfait, pour quelque raison que ce soit, du rendement de l'outil électrique, du laser ou de la cloueuse DEWALT, celui-ci peut le retourner, accompagné d'un reçu, dans les 90 jours à compter de la date d'achat pour obtenir un remboursement intégral, sans aucun problème.

AMÉRIQUE LATINE : cette garantie ne s'applique aux produits vendus en Amérique latine. Pour ceux-ci, veuillez consulter les informations relatives à la garantie spécifique présente dans l'emballage, appeler l'entreprise locale ou consulter le site Web pour les informations relatives à cette garantie.

REPLACEMENT GRATUIT DES ÉTIQUETTES D'AVERTISSEMENT : si les étiquettes d'avertissement deviennent illisibles ou sont manquantes, composer le 1 800 433-9258 (1 800 4-DEWALT) pour en obtenir le remplacement gratuit.

SOPORTE MÓVIL PARA CEPILLO DW7350

Compruebe el contenido de la caja del soporte para cepillo para asegurarse de que ha recibido todas las piezas. Además de esta hoja de instrucciones, la caja debe contener lo siguiente:

LISTA DE COMPONENTES:

- | | |
|-------------------------------|--------------------------|
| A. Rieles largos de la base | G. Patas |
| B. Rieles cortos de la base | H. Lados cortos |
| C. Unidad de ruedas de pivote | I. Lados largos |
| D. Ruedas de la base | J. Soportes laterales |
| E. Soportes de las ruedas | K. Estante |
| F. Pies niveladores de goma | L. Pieza superior de MDF |

ACCESORIOS DE MONTAJE INCLUIDOS:

- M. Pernos con resalto de cruz (4)
 N. Pernos hexagonales parcialmente roscados de 75 mm (4)
 O. Pernos hexagonales de 60 mm (4)
 P. Pernos hexagonales de 50 mm (4)
 Q. Tornillos de carruaje cortos (30)
 R. Arandelas de fijación (46)
 S. Arandelas planas (4)
 T. Tuercas (48)
 U. Tuercas de fijación (2)

FIG. 1

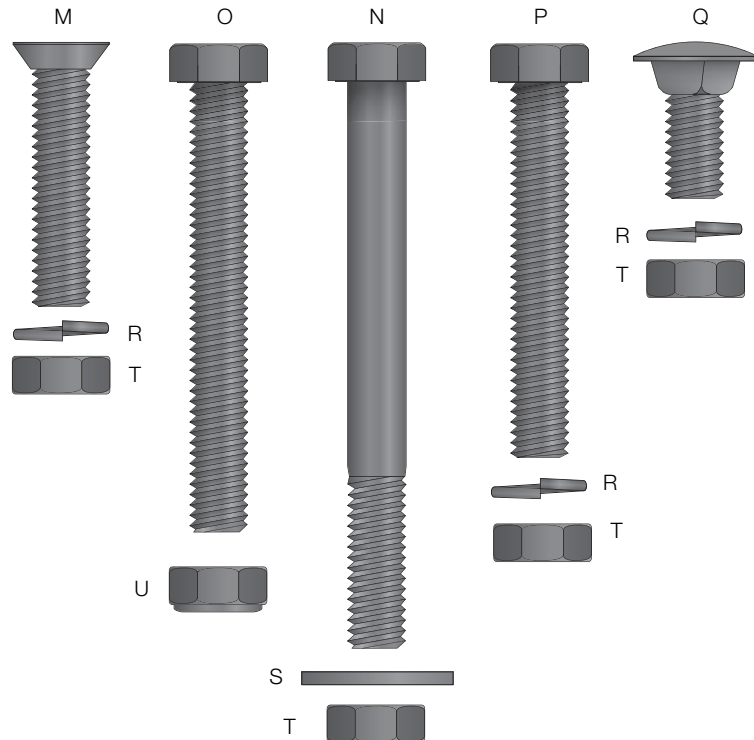
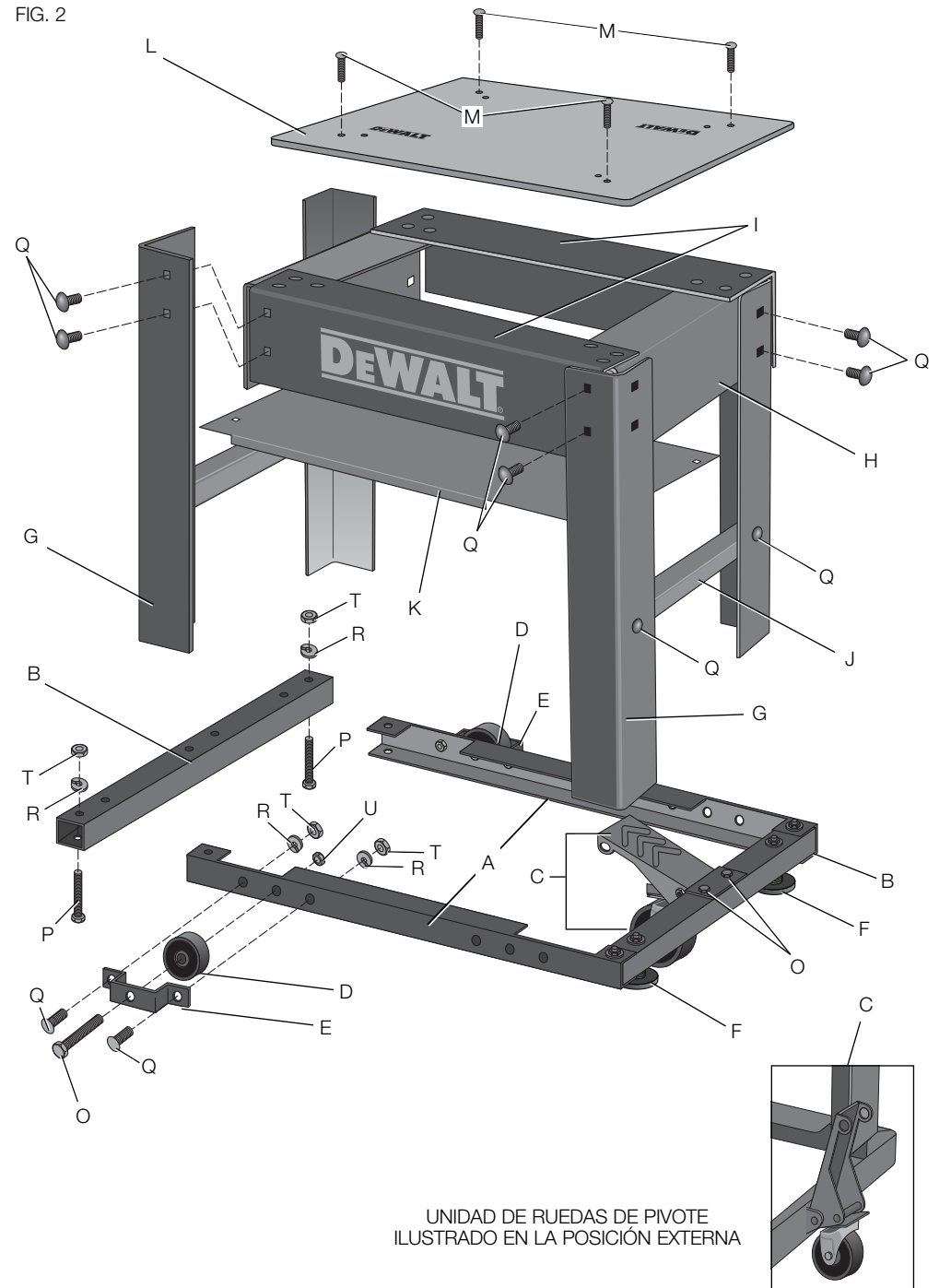


FIG. 2



UNIDAD DE RUEDAS DE PIVOTE
 ILUSTRADO EN LA POSICIÓN EXTERNA

Definiciones: Normas de seguridad

Las siguientes definiciones describen el nivel de gravedad de cada palabra de señal. Lea el manual y preste atención a estos símbolos.

⚠ PELIGRO: indica una situación de peligro inminente que, si no se evita, provocará la muerte o lesiones graves.

⚠ ADVERTENCIA: indica una situación de peligro potencial que, si no se evita, podría provocar la muerte o lesiones graves.

⚠ ATENCIÓN: indica una situación de peligro potencial que, si no se evita, posiblemente provocaría lesiones leves o moderadas.

AVISO: se refiere a una práctica no relacionada a lesiones corporales que de no evitarse puede resultar en daños a la propiedad.

SI TIENE ALGUNA DUDA O ALGÚN COMENTARIO SOBRE ÉSTA U OTRA HERRAMIENTA DEWALT, LLÁMENOS AL NÚMERO GRATUITO: **1-800-4-DEWALT (1-800-433-9258)**.



ADVERTENCIA: Para reducir el riesgo de lesiones, lea el manual de instrucciones.

Normas y advertencias de seguridad para el soporte móvil para cepillo

⚠ ADVERTENCIA: El incumplimiento con estas reglas puede resultar en lesiones corporales graves.

- Este producto ha sido diseñado para usarse como soporte para cepillos. El soporte sostendrá hasta 136 kg (300 lbs). El mal uso o abuso de este producto puede dañar el mismo o resultar en lesiones corporales.
- No se pare encima de la mesa de trabajo. Es peligroso trepar, sentarse o pararse sobre el soporte. No use las extensiones del soporte como si fueran escaleras o andamios.
- Asegure debidamente el cepillo al soporte antes de su puesta en funcionamiento. Siga las instrucciones de montaje detenidamente. Sujete la herramienta firmemente a la pieza superior de MDF como se indica.
- Coloque el soporte sobre una superficie plana y nivelada para evitar que se balancee o se vuelque.
- Compruebe que el soporte para cepillo esté colocado firmemente sobre el piso, que el pedal de pie esté hacia abajo y la rueda levantada antes de usarlo.
- No modifique ni use el soporte para propósitos para los cuales no fue diseñado.
- SIEMPRE use protección ocular. Todos los usuarios y las personas circundantes deben llevar protección ocular en conformidad con ANSI Z87.1.
- Use SIEMPRE gafas de seguridad. Los anteojos de diario NO SON gafas de seguridad. Utilice además un cubrebocas o una mascarilla antipolvo si la operación de corte genera demasiado polvo. SIEMPRE LLEVE EQUIPO DE SEGURIDAD CERTIFICADO:
 - Protección ocular ANSI Z87.1 (CAN/CSA Z94.3),
 - Protección auditiva ANSI S12.6 (S3.19),
 - Protección respiratoria NIOSH/OSHA/MSHA.

COMPONENTES (FIG. 1,2)

⚠ ADVERTENCIA: Nunca modifique el soporte ni ninguna de sus piezas. Podrían producirse lesiones corporales o daños.

Consulte la página 1 para la **Lista de componentes**.

MONTAJE Y AJUSTES (FIG. 1, 2)

⚠ ADVERTENCIA: Por su propia seguridad, lea el manual de instrucciones de la herramienta antes de usar cualquiera de los accesorios. De no seguir estas advertencias podrían producirse lesiones corporales y graves daños al cepillo y al accesorio. Cuando realice el mantenimiento de esta herramienta, utilice únicamente repuestos originales.

Herramientas Recomendadas para el Ensamblaje

- Llave fija de 13 mm
- Destornillador de cruz
- Llave de tubo y trinquete de 13 mm

Ensamblar la Base del Marco y Fijar las Ruedas

1. Deslice los rieles cortos de la base (B) en los rieles largos de la base (A) y fíjelos utilizando los cuatro pernos hexagonales de 50 mm (P). Cada perno debe sujetarse con una arandela de fijación (R) y una tuerca (T). Use una llave de tubo o llave inglesa de 13 mm para apretar. Esto le proporcionará la base del marco.
2. Fije los 2 soportes de las ruedas (E) a la base del marco usando 2 tornillos de carruaje (Q), 2 arandelas de fijación (R), y 2 tuercas (T).
NOTA: El tornillo de carruaje exterior (Q) se usa para fijar la pata y el soporte de la rueda a la base. Solamente se pondrá cuando se fijen las patas.
3. Alinee las ruedas de la base (D) entre el soporte de las ruedas (E) y los rieles largos de la base.
4. Coloque el perno hexagonal de 60 mm (O) a través de los orificios del soporte, la rueda y el riel largo de la base hasta que las roscas sobresalgan en la parte interior del marco. Sujete las ruedas a la base con una arandela de fijación (U) hasta que la tuerca esté apretada y la rueda gire libremente.
5. En frente de las ruedas, instale el pie nivelador de goma (F).

Fijar la Unidad de Ruedas de Pivote

El ensamblaje de las ruedas de pivote (C) para el soporte de su cepillo puede montarse en la parte interna o externa de la base.

1. Alinee los orificios de la unidad de ruedas de pivote con los orificios de los rieles cortos de la base del marco.
2. Coloque la unidad de ruedas de pivote (C) en la posición interna o externa.
3. Inserte los dos pernos hexagonales de 60 mm (O) a través de los orificios en el pedal y los rieles del marco.
4. Fije el pedal a la base apretando las arandelas de fijación (R) y las tuercas (T) con una llave de tubo o llave inglesa de 13 mm.

⚠ ATENCIÓN: Cuando el pedal esté en la posición exterior del soporte, mantenga el soporte móvil para cepillo alejado de los pasillos. Pueden producirse tropiezos y/u otras lesiones corporales.

Fijar las Patas, los Soportes laterales, y la Pieza Superior de MDF

1. Coloque el marco de la base en posición vertical para fijar las patas (G) a las esquinas utilizando 4 tornillos de carruaje (Q). Apriete las tuercas (T) y las arandelas de fijación (R) con una llave de tubo o llave inglesa de 13 mm.
2. Fije los lados cortos (H) a la parte interior de las patas (G) utilizando 8 tornillos de carruaje (Q), 8 arandelas de fijación (R) y 8 tuercas (T). Use la llave de tubo o llave inglesa para apretar. Asegúrese de que los orificios de los lados estén alineados con las hendiduras de referencia suministradas.
3. Fije los lados largos (I) a la parte interior de las patas (G) solapando los lados cortos, utilizando 8 tornillos de carruaje (Q), 8 arandelas de fijación (R) y 8 tuercas (T). Use la llave de tubo o

llave inglesa para apretar. Asegúrese de que los orificios de los lados estén alineados con las hendiduras de referencia suministradas.

4. Fije los soportes laterales (J) a la parte intermedia interior de las patas (G) con 4 tornillos de carruaje (Q), 4 arandelas de fijación (R) y 4 tuercas (T). Use una llave de tubo o llave inglesa de 13 mm para apretar.
5. Fije la pieza superior de MDF (L) a los lados (I) utilizando los 4 pernos con resalto de cruz (M), 4 arandelas de fijación (R) y 4 tuercas (T).

Instalar el Estante

1. Coloque el estante (K), con el borde hacia abajo, encima de los soportes laterales.
2. Inserte 4 tornillos de carruaje (Q) a través de los orificios del estante y de los soportes laterales.
3. Fije el estante con arandelas de fijación (R) y tuercas (T). Use una llave de tubo o llave inglesa de 13 mm para apretar.

Fije el Cepillo al Soporte (Fig. 1, 3)

⚠ADVERTENCIA : PELIGRO DE INESTABILIDAD. Consulte las instrucciones del fabricante de la herramienta relativas a la fijación de su cepillo al soporte o a la superficie de soporte. Fije la herramienta siguiendo las instrucciones de este manual y las del manual del fabricante de su herramienta antes de utilizarla. De no seguir estas advertencias podrían producirse graves lesiones corporales y daños a la herramienta.

⚠ADVERTENCIA : Para reducir el riesgo de lesiones, apague el cepillo, desconecte la herramienta de la toma de corriente antes de montar el cepillo en el soporte. La puesta en marcha accidental puede causar lesiones.

⚠ADVERTENCIA: Para su propia seguridad, se recomienda que dos personas transporten esta máquina o podrían producirse lesiones graves.

Su soporte para cepillo está diseñado para utilizarse con los cepillos de grosor DW733, DW734 o DW735 DEWALT.

1. Levante con cuidado y coloque el cepillo en la pieza superior de MDF (L).
2. Alinee los orificios de la base del cepillo con los orificios correspondientes de la pieza superior de MDF.
3. Inserte cuatro pernos hexagonales de 75 mm (N) a través del cepillo y de la base para fijarlos con las arandelas planas (S) y las tuercas (T) suministradas.

SI NO TIENE UN CEPILLO DEWALT, PERO DESEA UTILIZAR EL SOPORTE MÓVIL PARA CEPILLO DW7350:

⚠ADVERTENCIA : Centre su cepillo en el soporte. El no centrar el cepillo puede resultar en un ensamblaje inestable. Podrían producirse lesiones graves.

1. Marque la posición de los orificios en la pieza superior de MDF (L).
2. Taladre los orificios marcados en la pieza superior de MDF.
3. Fije el cepillo a la pieza superior de MDF con los pernos hexagonales (N), las arandelas planas (S), y las tuercas (T) suministrados.

NOTA: No taladre más de 4 orificios. Un perno por esquina es suficiente. Quizás se necesiten accesorios de montaje de tamaño correcto (que deben obtenerse localmente) para fijar bien el cepillo (si no es de DEWALT) a la pieza superior de MDF.

⚠ADVERTENCIA : Los cepillos DEBEN montarse en la orientación mostrada en la Figura 3.

IMPORTANTE: El cepillo DEBE ubicarse de modo que la herramienta quede apernada en la pieza superior de MDF. Si esto no es posible, llame al **1-800-4-DEWALT (1-800-433-9258)** para recibir asistencia técnica.

⚠ADVERTENCIA : Cualquier herramienta que se utilice con este soporte debe ser debidamente colocada y asegurada para garantizar su estabilidad y para prevenir que se vuelque inadvertidamente.

Para Ajustar los Pies Niveladores de Goma

Los dos pies de goma (F) del soporte móvil para cepillo están instalados para apoyo adicional en pisos ligeramente desnivelados.

1. Afloje las 2 tuercas que sujetan uno de los pies de goma de la base móvil.
2. Agarre las tuercas con una llave y gire el pie hasta que esté extendido o replegado e el nivel necesario.
3. Vuelva a apretar los pernos.
4. Repita este procedimiento para el otro pie de goma.

NOTA: Una vez terminado el ensamblaje y antes del primer uso, compruebe cada perno y tuerca para asegurarse de que estén bien apretados y de que todos los mecanismos funcionen debidamente.

OPERACIÓN

⚠ADVERTENCIA: Para reducir el riesgo de lesiones personales graves, apague la herramienta y desconéctela de la fuente de alimentación antes de instalar y retirar accesorios, ajustar o cambiar configuraciones o realizar reparaciones. Un arranque accidental podría causar lesiones.

Asegúrese que el pie de soporte de su cepillo quede puesto firme sobre el piso, que el pedal esté desplegado y que la rueda este elevada antes de usarlo.

⚠ADVERTENCIA: No intente mover el cepillo sobre el pie de soporte si el cepillo no está apernado a él. Podría resultar en lesiones personales serias.

Para Mover el Pie de Soporte del Cepillo

1. Pise el pedal para desbloquear y levantar el pie de soporte.
2. Agarre firmemente los mangos de su cepillo y muévalo a su nueva ubicación.
3. Levante el pedal para dejar caer la base en la posición bloqueada antes de seguir con la actividad de cepillado.

⚠ATENCIÓN: Tenga cuidado al mover el soporte para cepillo. Puede volcarse si las ruedas se paran de forma abrupta al encontrar residuos en el piso u otras irregularidades en el recorrido de desplazamiento.

MANTENIMIENTO

⚠ADVERTENCIA: Para reducir el riesgo de lesiones personales graves, apague la herramienta y desconéctela de la fuente de alimentación antes de instalar y retirar accesorios, ajustar o cambiar configuraciones o realizar reparaciones. Un arranque accidental podría causar lesiones.

Limpieza

⚠ADVERTENCIA: Nunca utilice solventes ni otros químicos abrasivos para limpiar las piezas no metálicas de la herramienta. Estos productos químicos pueden debilitar los materiales plásticos utilizados en estas piezas. Utilice un paño humedecido sólo con agua y jabón neutro. Nunca permita que penetre líquido dentro de la herramienta ni sumerja ninguna de las piezas en un líquido.

Accesorios

⚠ADVERTENCIA: Debido a que no se han probado con este producto otros accesorios que no sean los que ofrece DEWALT, el uso de dichos accesorios con esta herramienta podría ser peligroso. Para reducir el riesgo de lesiones, con este producto deben usarse sólo los accesorios recomendados por DEWALT.

Los accesorios que se recomiendan para utilizar con la herramienta están disponibles a un costo adicional en su distribuidor local o en un centro de mantenimiento autorizado. Si necesita ayuda para localizar algún accesorio, póngase en contacto con DEWALT Industrial Tool Co., 701 East Joppa Road, Baltimore, MD 21286, llame al 1-800-4-DEWALT (1-800-433-9258) o visite nuestro sitio Web: www.dewalt.com.

Reparaciones

Para asegurar la SEGURIDAD y la CONFIABILIDAD del producto, las reparaciones, el mantenimiento y los ajustes deben (inclusive inspección y cambio de carbones) ser realizados en un centro de mantenimiento en la fábrica DEWALT, en un centro de mantenimiento autorizado DEWALT u por otro personal de mantenimiento calificado. Utilice siempre piezas de repuesto idénticas.

PARA REPARACIÓN Y SERVICIO DE SUS HERRAMIENTAS ELÉCTRICAS, FAVOR DE DIRIGIRSE AL CENTRO DE SERVICIO MÁS CERCANO

CULIACAN, SIN

Bvld.Emiliano Zapata 5400-1 Poniente
Col. San Rafael

(667) 717 89 99

GUADALAJARA, JAL

Av. La Paz #1779 - Col. Americana Sector Juárez

(33) 3825 6978

MEXICO, D.F.

Eje Central Lázaro Cárdenas No. 18
Local D, Col. Obrera

(55) 5588 9377

MERIDA, YUC

Calle 63 #459-A - Col. Centro

(999) 928 5038

MONTERREY, N.L.

Av. Francisco I. Madero 831 Poniente - Col. Centro

(818) 375 23 13

PUEBLA, PUE

17 Norte #205 - Col. Centro

(222) 246 3714

QUERETARO, QRO

Av. San Roque 274 - Col. San Gregorio

(442) 2 17 63 14

SAN LUIS POTOSI, SLP

Av. Universidad 1525 - Col. San Luis

(444) 814 2383

TORREON, COAH

Bvld. Independencia, 96 Pte. - Col. Centro

(871) 716 5265

VERACRUZ, VER

Prolongación Díaz Mirón #4280 - Col. Remes

(229) 921 7016

VILLAHERMOSA, TAB

Constitución 516-A - Col. Centro

(993) 312 5111

PARA OTRAS LOCALIDADES:

Si se encuentra en México, por favor llame al (55) 5326 7100

Si se encuentra en U.S., por favor llame al
1-800-433-9258 (1-800 4-DEWALT)

Póliza de Garantía

IDENTIFICACIÓN DEL PRODUCTO:

Sello o firma del Distribuidor.

Nombre del producto: _____ Mod./Cat.: _____

Marca: _____ Núm. de serie: _____

(Datos para ser llenados por el distribuidor)

Fecha de compra y/o entrega del producto: _____

Nombre y domicilio del distribuidor donde se adquirió el producto:

Este producto está garantizado por un año a partir de la fecha de entrega, contra cualquier defecto en su funcionamiento, así como en materiales y mano de obra empleados para su fabricación. Nuestra garantía incluye la reparación o reposición del producto y/o componentes sin cargo alguno para el cliente, incluyendo mano de obra, así como los gastos de transportación razonablemente erogados derivados del cumplimiento de este certificado.

Para hacer efectiva esta garantía deberá presentar su herramienta y esta póliza sellada por el establecimiento comercial donde se adquirió el producto, de no contar con ésta, bastará la factura de compra.

EXCEPCIONES

Esta garantía no será válida en los siguientes casos:

- Cuando el producto se hubiese utilizado en condiciones distintas a las normales;
- Cuando el producto no hubiese sido operado de acuerdo con el instructivo de uso que se acompaña;
- Cuando el producto hubiese sido alterado o reparado por personas distintas a las enlistadas al final de este certificado.

Anexo encontrará una relación de sucursales de servicio de fábrica, centros de servicio autorizados y franquiciados en la República Mexicana, donde podrá hacer efectiva su garantía y adquirir partes, refacciones y accesorios originales.

Registro en línea

Gracias por su compra. Registre su producto ahora para:

- **SERVICIO EN GARANTÍA:** Si completa esta tarjeta, podrá obtener un servicio en garantía más eficiente, en caso de que exista un problema con su producto.
- **CONFIRMACIÓN DE PROPIEDAD:** En caso de una pérdida que cubra el seguro, como un incendio, una inundación o un robo, el registro de propiedad servirá como comprobante de compra.
- **PARA SU SEGURIDAD:** Si registra el producto, podremos comunicarnos con usted en el caso improbable que se deba enviar una notificación de seguridad conforme a la Federal Consumer Safety Act (Ley Federal de Seguridad de Productos para el Consumidor).

Registro en línea en www.dewalt.com/register.

Garantía limitada por tres años

DEWALT reparará, sin cargo, cualquier falla que surja de defectos en el material o la fabricación del producto, por hasta tres años a contar de la fecha de compra. Esta garantía no cubre fallas de las piezas causadas por su desgaste normal o abuso a la herramienta. Para mayores detalles sobre la cobertura de la garantía e información acerca de reparaciones realizadas bajo garantía, visítenos en www.dewalt.com o llame al 1-800-4-DEWALT (1-800-433-9258). Esta garantía no aplica a accesorios o a daños causados por reparaciones realizadas o intentadas por terceros. Esta garantía es la única garantía ofrecida por DEWALT, y no se aplicará ninguna garantía implícita. DEWALT no será responsable de ningún daño incidental o consecuente. Esta garantía le otorga derechos legales específicos, además de los cuales puede tener otros dependiendo del estado o la provincia en que se encuentre. Algunos estados no permiten la exclusión o limitación de los daños incidentales o consecuentes, ni las limitaciones sobre cuánto tiempo dura una garantía implícita, así que las anteriores limitaciones o exclusiones quizás no se apliquen a usted.

Además de la garantía, las herramientas DEWALT están cubiertas por:

1 AÑO DE SERVICIO GRATUITO

DEWALT mantendrá la herramienta y reemplazará las piezas gastadas por su uso normal, sin cobro, en cualquier momento durante un año a contar de la fecha de compra. Los artículos gastados por la clavadora, tales como la unidad de hoja y retorno del impulsador, no están cubiertas.

GARANTÍA DE REEMBOLSO DE SU DINERO POR 90 DÍAS

Si no está completamente satisfecho con el desempeño de su máquina herramienta, láser o clavadora DEWALT, cualquiera sea el motivo, podrá devolverlo hasta 90 días de la fecha de compra con su recibo y obtener el reembolso completo de su dinero – sin necesidad de responder a ninguna pregunta.

AMÉRICA LATINA: Esta garantía no se aplica a los productos que se venden en América Latina. Para los productos que se venden en América Latina, debe consultar la información de la garantía específica del país que viene en el empaque, llamar a la compañía local o visitar el sitio Web a fin de obtener esa información.

REEMPLAZO GRATUITO DE LAS ETIQUETAS DE ADVERTENCIAS: Si sus etiquetas de advertencia se vuelven ilegibles o faltan, llame al 1-800-4-DeWALT (1-800-433-9258) para que se le reemplacen gratuitamente.

SOLAMENTE PARA PROPÓSITO DE MÉXICO:
IMPORTADO POR: DEWALT INDUSTRIAL TOOL CO. S.A. DE C.V.
AVENIDA ANTONIO DOVALI JAIME, # 70 TORRE B PISO 9
COLONIA LA FE, SANTA FÉ
CÓDIGO POSTAL : 01210
DELEGACIÓN ALVARO OBREGÓN
MÉXICO D.F.
TEL. (52) 555-326-7100
R.F.C.: BDE810626-1W7

Para servicio y ventas consulte
"HERRAMIENTAS ELÉCTRICAS"
en la sección amarilla.



DEWALT Industrial Tool Co., 701 East Joppa Road, Baltimore, MD 21286
(JUN13) Part No. N320021 DW7350 Copyright © 2013 DEWALT

The following are trademarks for one or more DEWALT power tools: the yellow and black color scheme; the “D” shaped air intake grill; the array of pyramids on the handgrip; the kit box configuration; and the array of lozenge-shaped humps on the surface of the tool.